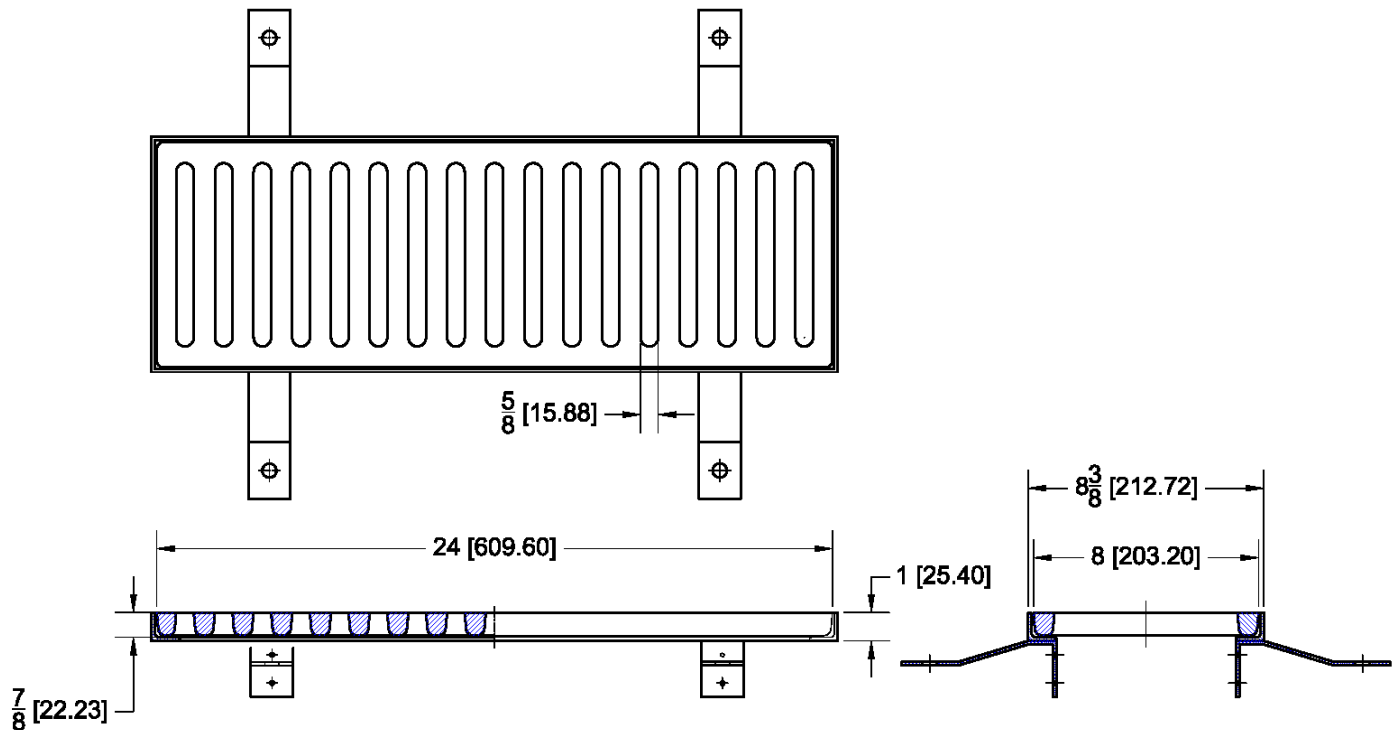


2908 8" Wide Trench Grating

Regularly Furnished: Painted ductile iron trench drain slotted grating.
 ASME Load Rating = S.D. (Special Duty) Over 10,000 Lbs. (Ductile Iron Only)



Grate Material		
✓	Suffix	Description
	-1	Satin Finish Nickel Bronze
	-2	Satin Finish Bronze Veneer
	-12	Ductile Iron
	-102	Polished Chrome Plated Brass
	-304	Satin Finish 304 Stainless Steel

Options		
✓	Suffix	Description
	-ARC	Acid Resistant Coating
	-VP	Vandal Proof Secured Grate
	-11	Heel Proof Grate
	-18	Solid Cover
	-39	Galvanized Iron Parts
	-8F	Frame with Lugs (8W x 24L)
	-24F	Frame with Lugs (24W x 8L)