

Location: \_\_\_\_\_

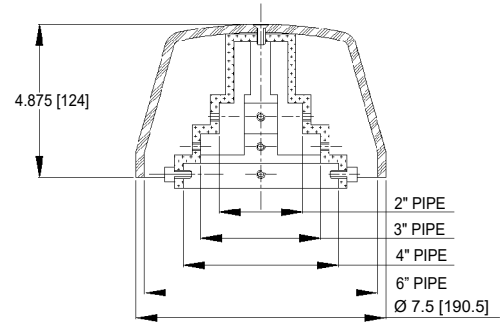
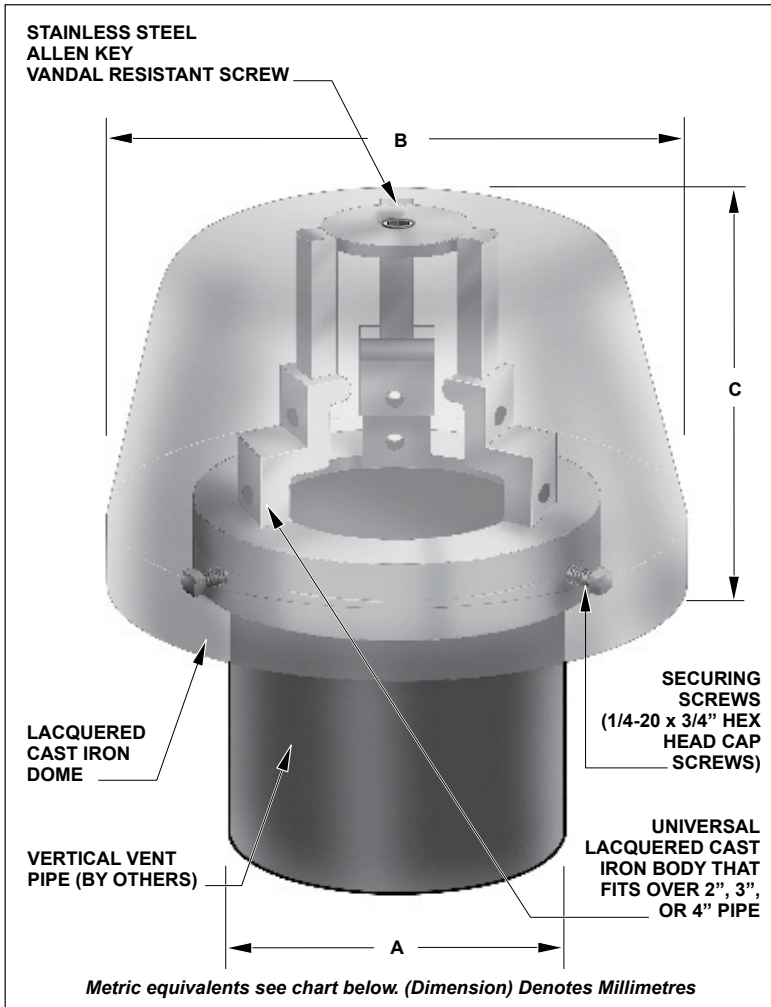


**R1930**

**VANDAL PROOF CAST IRON VENT CAP**

**Specification:** MIFAB® Series R1930 cast iron vent cap with lacquered cast iron body and dome secured to the body with an allen key screw.

**Function:** Used with all plumbing vents that terminate above the roof. Vandal proof dome and dome design prevents debris from entering vent opening.



**Note:** Universal body assembly fits over 2", 3" or 4" vertical vent pipe. One size serves all three different outlet sizes. For 6" vertical vent pipe, discard the internal "step" piece and use the three securing screws to assemble the cast iron vent cap to the top of the 6" vertical vent pipe.

MODEL NO.	PIPE SIZE (A)	WIDTH (B)	HEIGHT (C)
R1932	2" (51)	7 1/2" (190)	4 7/8" (124)
R1933	3" (76)	7 1/2" (190)	4 7/8" (124)
R1934	4" (102)	7 1/2" (190)	4 7/8" (124)
R1936	6" (152)	7 1/2" (190)	4 7/8" (124)

SUFFIX	OPTIONAL VARIATIONS
-13	Galvanized cast iron
-BA	Buy America Act compliant product
-PA	Pennsylvania Steel Act compliant product

CALIFORNIA PROPOSITION 65 WARNING. This product contains chemicals known to the State of California to cause cancer and birth defects or other reproductive harm.

Job Name: \_\_\_\_\_ Page No: \_\_\_\_\_  
 Section No: \_\_\_\_\_ Contractor: \_\_\_\_\_  
 Schedule No: \_\_\_\_\_ Purchase Order No: \_\_\_\_\_

MIFAB® reserves the right to make changes in material and design without formal notice and obligation.

USA: 1-800-465-2736 www.mifab.com CAN: 1-800-387-3880