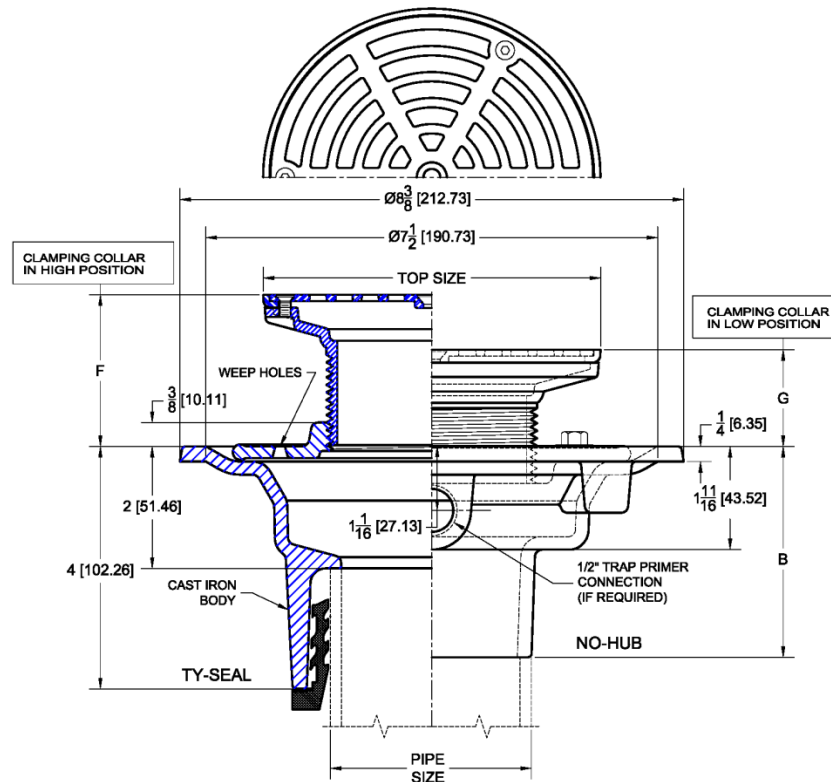


## 1100-MR Floor Drain with Round Adjustable Top – Slotted Grate

Regularly Furnished: Painted cast iron floor drain body with anchor flange, seepage openings, reversible clamping collar, cast iron adjustable top, stainless steel frame with secured slotted grate, ½" NPT trap primer tap (plugged) and bottom outlet. ASME Load Rating = L.D. (Light Duty) Under 2,000 Lbs.



OUTLET	NO-HUB	INSIDE CAULK	THREADED
B	3 1/2 (88.9)	4 1/4 (107.9)	2 3/4 (69.9)

Top Size	F		G	
	Min	Max	Min	Max
5 (127)	1-7/16 (37)	2-1/8 (54)	15/16 (24)	1-5/8 (41)
6 (152)	1-1/2 (38)	2-3/8 (60)	1 (25)	1-3/4 (44)

✓	Top Size & Type	Outlet Size In.	Grate Free Area (Sq.In.)
	MR5	2,3,4,6	6.3
	MR6	2,3,4,6	9.8

Top Material		
✓	Suffix	Description
	-85	Painted C.I. w/ 304 S/S Frame & Grate

Outlet Variations		
✓	Type	Designation
	No-Hub	2NH, 3NH, 4NH, 6NH
	Push-On	2TY, 3TY, 4TY
	Inside Caulk	2IC, 3IC, 4IC
	Threaded	2IPS, 3IPS, 4IPS

Funnels		
✓	Suffix	Description
	-EF4	4" Round Funnel Assembly
	-EF6	6" Round Funnel Assembly
	-EG8	8" Elongated Funnel Assembly

Options		
✓	Suffix	Description
	-ARC	Acid Resistant Coating (C.I. Parts)
	-DC	Debris Cover
	-DIA	Deck Installation Assembly
	-SO	90° Side Outlet (No-Hub Only)
	-TSD	Trap Seal Device (Model 4405)
	-X	Heavy Duty Reinforced Top
	-8	Secondary Strainer
	-27	Sediment Bucket
	-31	Backwater Valve
	-33	Closure Plug
	-39	Galvanized Iron Parts
	-83	Special Engraving
	-94	Extension Adapter