

UNI-FLEX™ ROOF DRAIN

SPECIFICATION

Furnish and install a UNI-FLEX Roof Drain with extra-wide flashing area with expansion coupling, as one unit made of high impact ABS plastic as manufactured by Tech Specialties or approved equal.

DESIGN FEATURES

- ABS plastic material provides a tough and durable product that is able to withstand construction site handling and allows the entire drain to be resistant to corrosion
- Roof drain available in 2", 3" and 4" pipe sizes
- Grate free area is 70 square inches
- Drain flange size is 20 1/4" W x 20 1/4" L

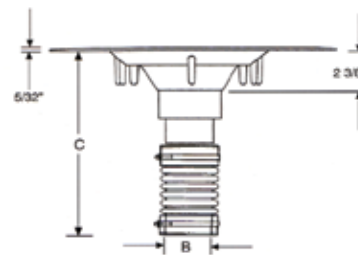
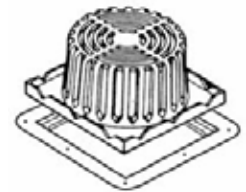
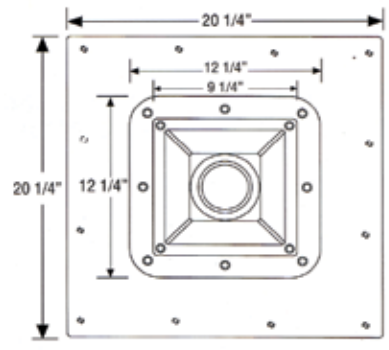
COMPLIANCES/LISTINGS

- IAPMO 4192; ASME A112.6.4-2003 (R08)/UPC/IPC



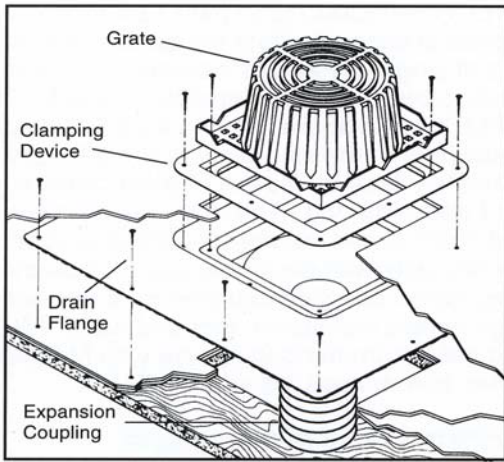
UNI-FLEX™ Roof Drain

PART NUMBER	DESCRIPTION	DIMENSIONS (INCHES)		MSTR CTN QTY
		B (I.D.)	C	
T-6002	2" ABS	2 1/2	10 1/2	1
T-6003	3" ABS	3 1/2	11 1/2	1
T-6004	4" ABS	4 1/2	10 1/2	1



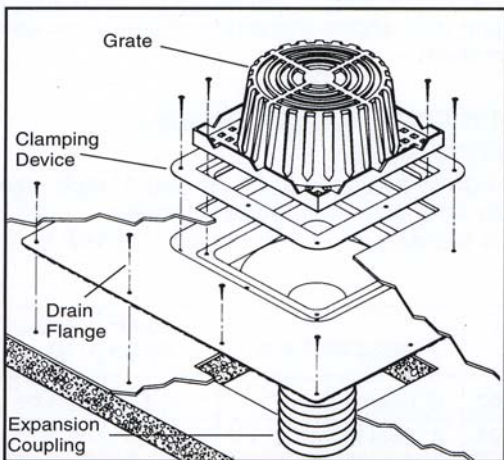
Product Submittal	
Job Name:	Date:
Part Number:	Quantity:
Architect:	
Contractor:	

Content matter is subject to change at any time. It is the user's responsibility to ensure the most updated revisions are obtained. 4/2021



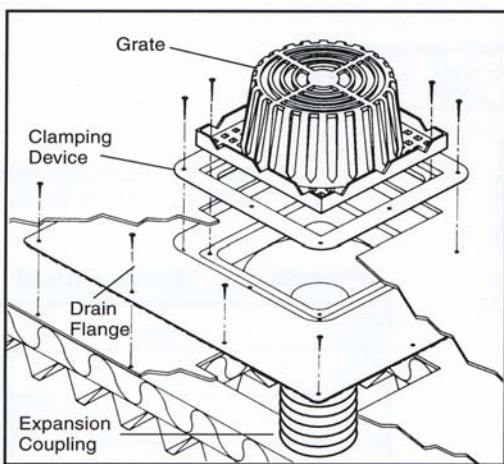
FLASHING DETAIL FOR BUILD-UP ROOF SYSTEMS

1. Mechanically attach 2 plies of roofing ply sheet embedded in hot asphalt to substrate, ensure the plies extend 18" past underlying portion of drain flange.
2. On under portion of drain flange, embed 1/3" roofing mastic.
3. Securely fasten drain flange to substrate using appropriate fasteners.
4. For best results, clean drain flange with damp cloth. It is not necessary to use asphalt primer.
5. Begin B.U.R. system embedding alternate layers of roofing ply sheet down into sump and over flange. Note: Ensure asphalt is at temperature between 430°F 475°F.
6. Fasten membrane clamping device with provided hardware.
7. Secure grate in place with provided hardware.
8. Complete roof system with specified surfacing as required
9. Connect drain system to drain with expansion coupling*.



FLASHING DETAIL FOR MODIFIED SINGLE-PLY ROOF SYSTEMS

1. Place reversed sheet of modified over drain hole opening on substrate to ensure that ply sheet extends 18" past underling portion of drain flange.
2. Place drain on hot modified ply and secure drain flange to roof substrate using appropriate fasteners.
3. Ensure top portion of drain flange is clean of dust or any foreign substance such as primer.
4. Back burn modified ply sheet, begin roof system and start down into sump and over flange. Note: Avoid direct contact with heat torch to drain or body flange.
5. Fasten membrane clamping device with provided hardware.
6. Secure grate in place with provided hardware.
7. Complete modified system with specified surfacing as required.
8. Connect drain system to drain with expansion coupling*.



FLASHING DETAIL FOR E.P.D.M. OR RUBBER SINGLE-PLY ROOF SYSTEMS

1. Place single-ply sheet over drain hole opening on substrate; ensure that ply sheet extends 18" past underlying portion of receiving drain flange.
2. On under portion of drain flange embed 1/3" of specified adhesive.
3. Securely fasten drain flange to substrate using appropriate fasteners.
4. Embed single-ply sheet in specified adhesive down into sump and over top portion of flange.
5. Fasten membrane clamping device with provided hardware.
6. Secure grate in place with provided hardware.
7. Complete single-ply system with specified surfacing as required.
8. Connect drain system to drain with expansion coupling*.