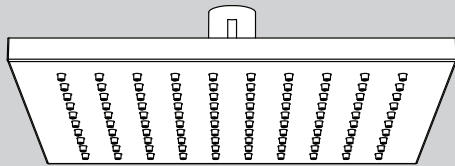


INSTRUCTIONS FOR MODELS

S-2763 (-E2) (-E175) (-E15)



NEED HELP?

For additional assistance or service please contact:

SPEAKMAN®

800-537-2107

customerservice@speakman.com

www.speakman.com

92-S-2763-05

TOOLS AND SUPPLIES

Thread Seal
Tape
(INCLUDED)



Adjustable
Wrench



IMPORTANT



Be sure to read instructions thoroughly before beginning installation. Do not overtighten any connections or damage may occur.

NOTE: Rain shower heads are intended to be used with a vertical drop shower arm. If used at an angle, the shower head will not produce the correct flow rate for the product.

SAFETY TIPS

Cover your drain to prevent loss of parts.

MAINTENANCE

Periodic cleaning using a mild soap and warm water will help keep your Shower Head's appearance in its original condition.

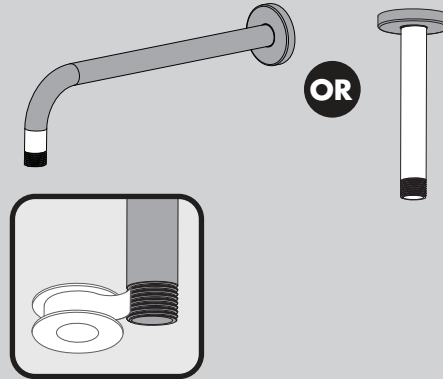
For best results, dry immediately with a soft, clean cloth. **DO NOT USE** harsh and/or abrasive cleaners.

In certain water conditions, mineral deposits may form. To remove these deposits, it is recommended that you soak the shower head in a solution of 2 parts vinegar to 1 part water for one hour. Rinse thoroughly with fresh water. Brush off any remaining mineral deposits from the spray channels.

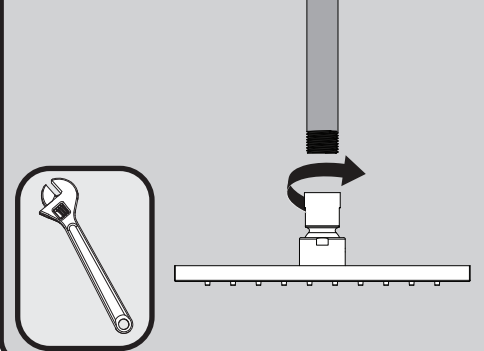
WARRANTY

Warranty information can be found at:
www.speakman.com

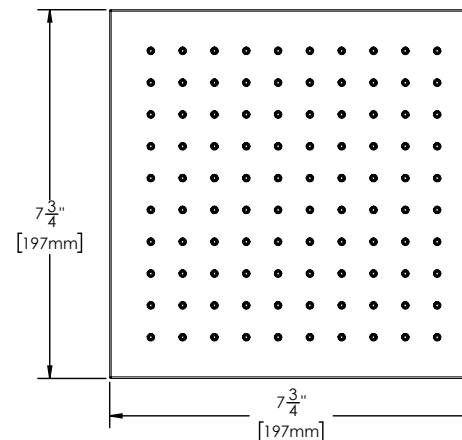
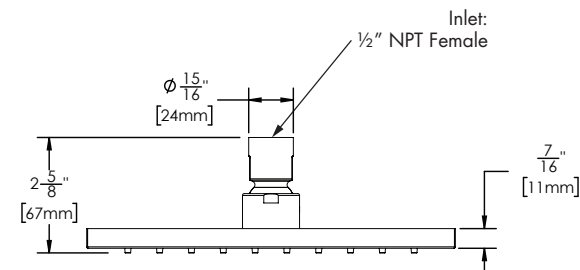
1 Apply Thread Seal Tape to the outlet side of a vertical drop shower arm.



2 Thread Shower Head onto shower arm by turning it in a clockwise direction. Tighten with adjustable wrench. Turn water supply on and check for leaks.



ROUGH IN DIMENSIONS



DIMENSIONS SUBJECT TO CHANGE WITHOUT NOTICE.

Model: S-2763
Max. Flow Rate: 2.5 gpm (9.5L/min)
Min. Flow Rate: 2.0 gpm (7.6 L/min) @ 45psi
FOR USE WITH AUTOMATIC COMPENSATING VALVES RATED AT 7.6 L/MIN (2.0 GPM) OR LESS.

Model: S-2763-E2
Max. Flow Rate: 2.0 gpm (7.6 L/min)
Min. Flow Rate: 1.75 gpm (6.6 L/min) @ 45psi
FOR USE WITH AUTOMATIC COMPENSATING VALVES RATED AT 6.6 L/MIN (1.75 GPM) OR LESS.

Model: S-2763-E175
Max. Flow Rate: 1.75 gpm (6.6 L/min)
Min. Flow Rate: 1.5 gpm (5.7 L/min) @ 45psi
FOR USE WITH AUTOMATIC COMPENSATING VALVES RATED AT 5.7 L/MIN (1.50 GPM) OR LESS.

Model: S-2763-E15
Max. Flow Rate: 1.5 gpm (5.7 L/min)
Min. Flow Rate: 1.3 gpm (4.9 L/min) @ 45psi
FOR USE WITH AUTOMATIC COMPENSATING VALVES RATED AT 4.2 L/MIN (1.1 GPM) OR LESS.