

Lucid Thermostatic Valve

FEATURES:

- Brass body construction
- Four port valve with NPT connections
- Thermostatic shower cartridge with built-in check stops
- Thermostatic element to regulate temperature, prevent scalding and thermal shock
- Maximum temperature setting is through Temperature Control feature of CPT-3100
- Integral stops allow water shut off for servicing valve
- Includes rough-in template

TRIM OPTIONS:

- CPT-3100

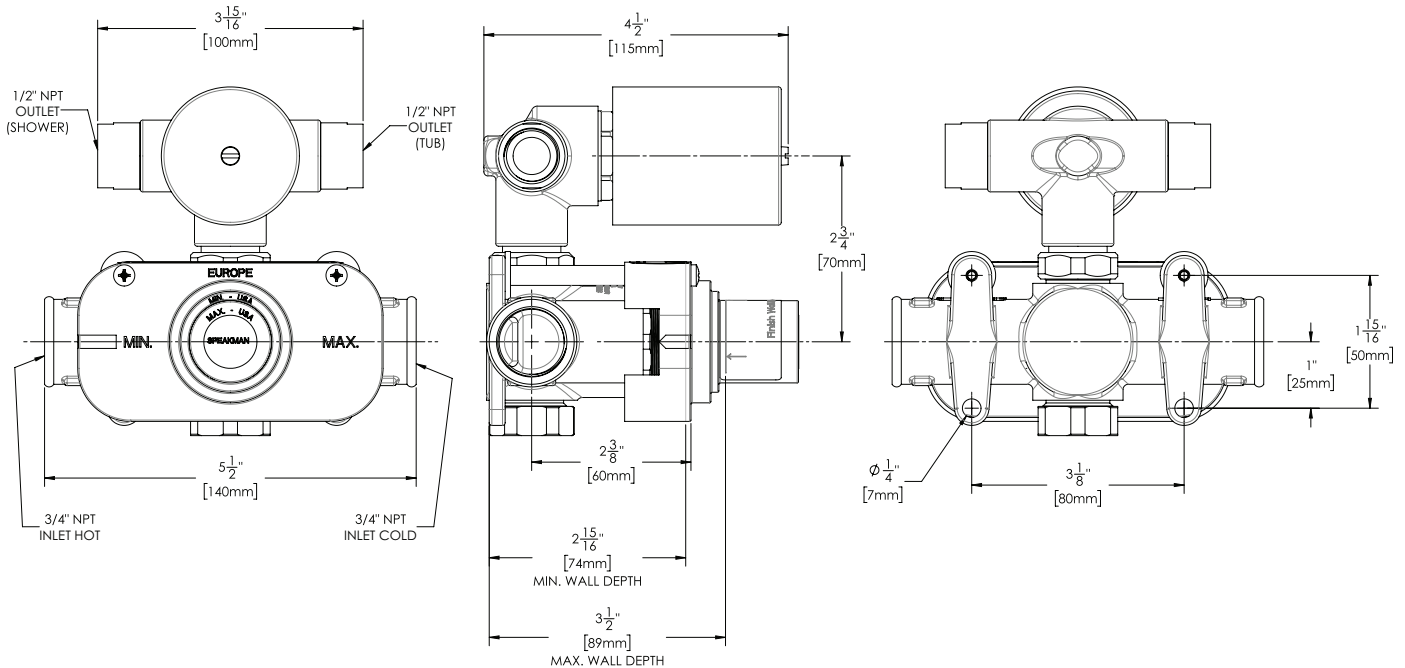
STANDARDS:

- ASME A112.18.1/CSA B125.1 Certified

WARRANTY:

Visit speakman.com for full product warranty information

- 5 Year Limited Warranty (commercial)
- 5 Year Limited Warranty (residential)



1. All dimensions are in inches (millimeters) unless otherwise specified and are subject to change without notice. 2. For ADA mounting locations, consult ADAAG, ANSI A117.1, and state regulations.

Architect/Engineer Approval Space:

P: 800-537-2107
 F: 800-977-2747
 W: WWW.SPEAKMAN.COM
 R: 01-MAY 2020