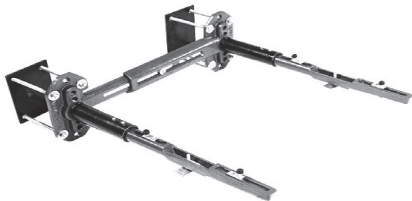
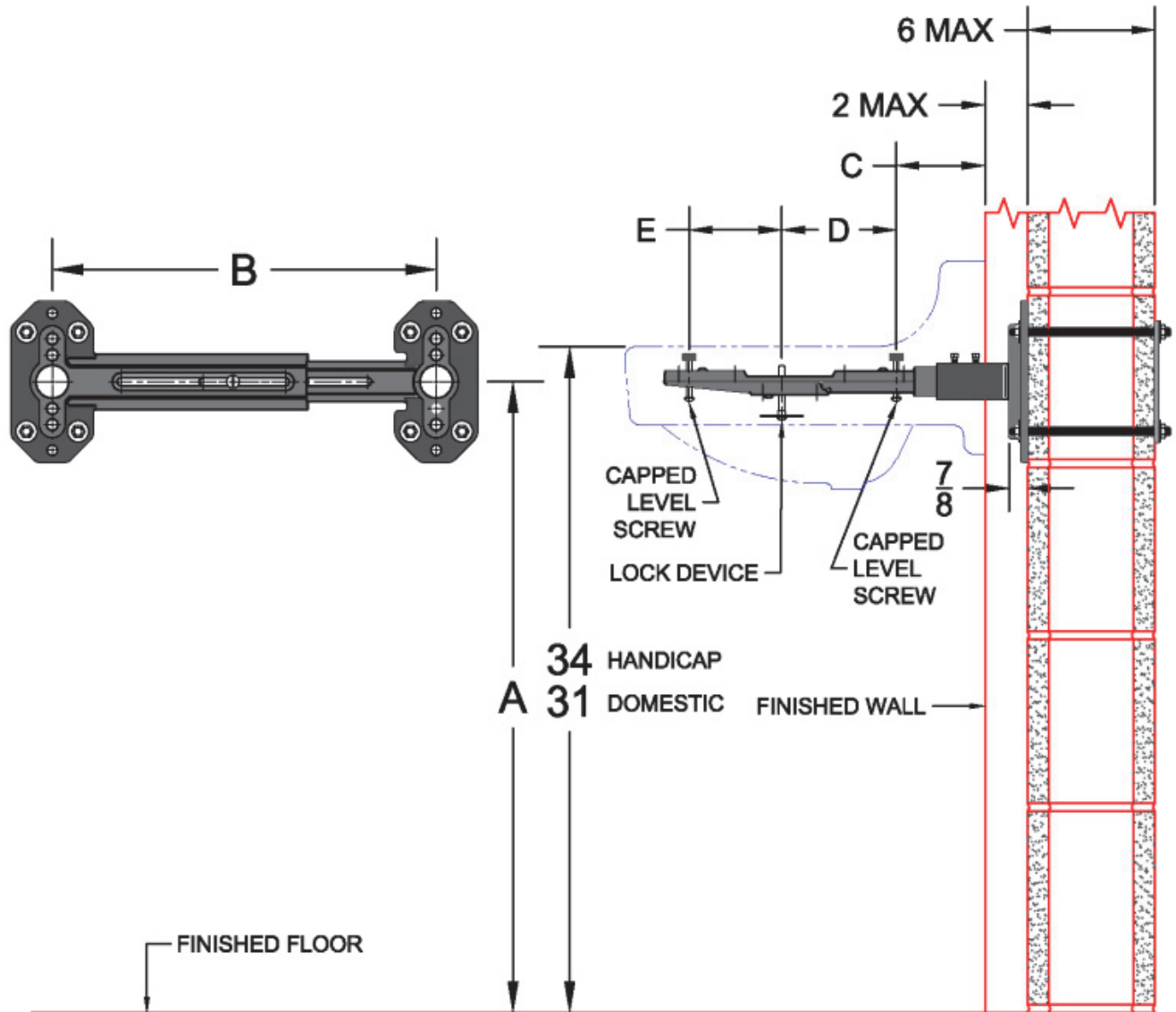
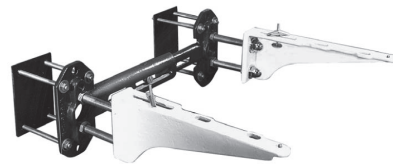


571 Wall Mounted Lavatory Support

Project		Engineer		Mechanical	
---------	--	----------	--	------------	--



571CA



571EA

Model	Type	•
571CA	Concealed Arms	
571EA*	Exposed Arms	

Suffix Options		
Suffix	Description	•
-M3	Vandal Proof Finish Hardware	
-M4	Extended Wall Support Hardware (Per Inch)	
-M23	2" Concealed Arm Escutcheons	
-M24	Wheelchair Lavatory installation	
-M25	Longer Rear Leveling Screws (High Back Lav)	

Regularly Furnished: Wall mounted lavatory support with cast iron concealed or exposed arms, & adjustable brackets.