

**GRT75-PF & GRT75-PF-RFS Series
Outdoor Pet Fountain**



GRT75-PF SHOWN

**TECHNICAL ASSISTANCE TOLL FREE TELEPHONE NUMBER:
1.800.591.9360**

Technical Assistance Fax: 1.626.855.4894

IMPORTANT: INSTALLATION AND SITE PREP FOR FREEZE RESISTANT OPTIONS "-FRU, -NP" WILL DIFFER FROM STANDARD! REFER TO DESIGNATED FREEZE RESISTANT INSTALLATION DETAILS PRIOR TO ROUGH-IN AND FIXTURE INSTALL FOR -FRU, -NP SERIES OPTIONS. FOR ADDITIONAL INFORMATION VISIT: www.MurdockMfg.com/Resources OR CONTACT YOUR LOCAL SALES REPRESENTATIVE.

NOTES TO INSTALLER:

1. Please leave this documentation with the owner of the fixture when finished.
2. Please read this entire booklet before beginning the installation.
3. Check your installation for compliance with plumbing, electrical and other applicable codes.

LIMITED WARRANTY - UNITED STATES & CANADA

Murdock warrants that its products are free from defects in material or workmanship under normal use and service for a period of one year from date of shipment from the factory. Murdock's liability under this warranty shall be discharged solely by repair or replacement of defective material, provided Murdock is notified in writing within the time periods described above.

This warranty does not cover installation or labor charges and does not apply to materials, which have been damaged by other causes such as mishandling or improper care or abnormal use. The repair or replacement of the defective materials shall constitute the sole remedy of the Buyer and the sole remedy of Murdock under this warranty. Murdock shall not be liable under any circumstances for incidental, consequential or direct charges caused by defects in the materials, or any delay in the repair or replacement thereof. This warranty is in lieu of all other warranties expressed or implied. Product maintenance instructions are issued with each unit and disregard or non-compliance with these instructions will constitute an abnormal use condition and void the warranty. Stainless steel must be protected on jobsite during construction and must be properly maintained after the water has been introduced into the water cooler or drinking fountain, or Murdock's limited warranty is void.

LIMITED EXPORT WARRANTY - One year on parts only.

Murdock™ assumes no responsibility for use of void or superseded data. © Copyright Murdock Mfg., City of Industry, CA Member of Morris Group International. Please visit www.murdockmfg.com for most current specifications.

COMPLIES WITH
STANDARDS



murdock[®]
SINCE 1853

Member of

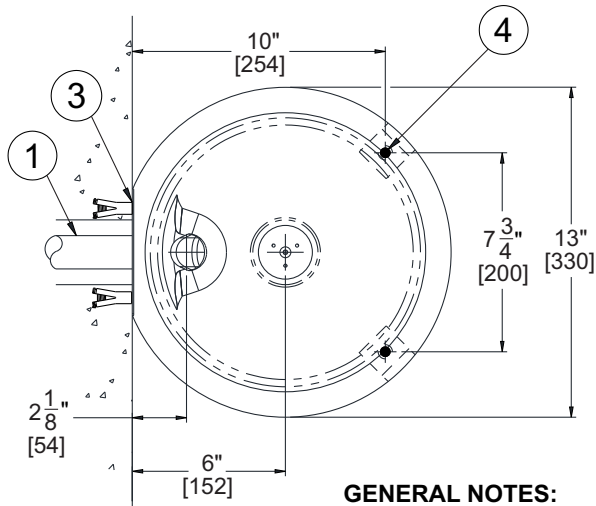
MORRIS GROUP
INTERNATIONAL

15125 Proctor Ave, City of Industry,
CA, 91746 U.S.A.
Phone 800-591-9360
626-336-4561
Fax 626-855-4894
www.murdockmfg.com

GRT75-PF ROUGH-IN AND INSTALLATION:

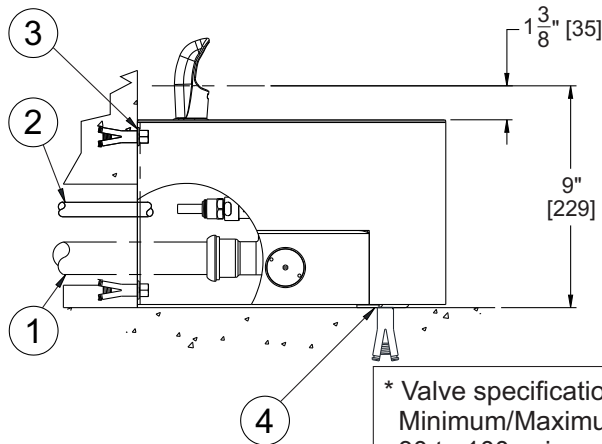
PRIOR TO INSTALLATION:

1. Read all installation instructions carefully, before proceeding.
2. Carefully remove fixture from packaging, preventing scratching or damage.
3. Provide mounting surface, sufficient to support the fixture and loads on the fixture, concrete is recommended.
4. Provide rough-ins as shown on the roughing-in and dimensional drawing, including water supply and drain pipe.
5. Completely flush water supply lines of all foreign debris, before connecting to the fixture.



GENERAL NOTES:

1. 1-1/4" OD CLOSE ELBOW WASTE OUTLET
2. 1/2" SUPPLY INLET
3. Ø7/16" HOLE PUNCHING FOR MOUNTING HARDWARE BY OTHERS
4. (2) 1/2" - 13 UNC FLOOR ANCHORS (PROVIDED)



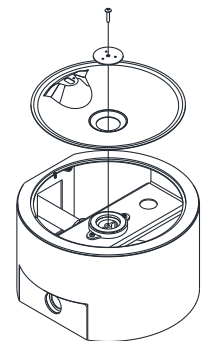
* Valve specifications:
Minimum/Maximum Pressure
30 to 100 psi.

INSTALLATION:

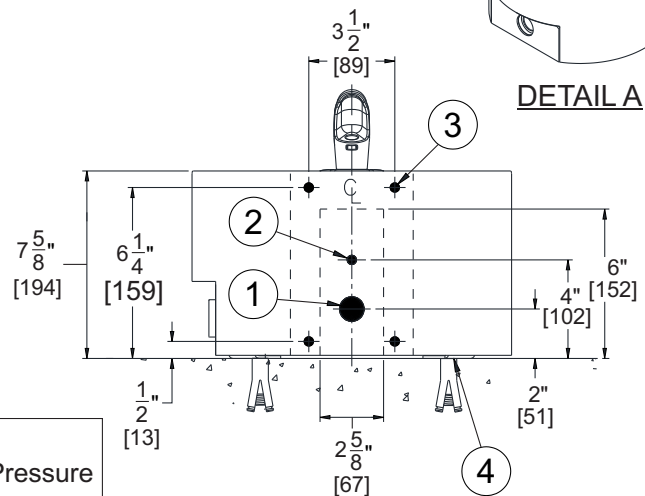
1. Remove basin from fixture by removing screw at center of drain and separate from fixture housing (See DETAIL A).
2. Use dimensional information below or use fixture as a template to locate and mark floor and wall anchoring. Floor anchors are provided. Wall anchors are provided by the installer. Do not fix to wall and floor at this time.
3. Stub-out 1-1/4" Wall Waste outlet extending waste tube 3-3/4" minimum. Align waste tube with elbow compression nut, push to wall aligning with floor anchoring locations and hand tighten through opening in pedestal.
4. Thoroughly flush supply inlet prior to making up supply connections. Make up 1/2" supply inlet connection to Y-Strainer with 1/4" NCT x 4" Long Tube inlet. Y-Strainer includes 1/4" OD push-in fitting on the "OUT" side connection. Follow the water flow directional arrow indicated on the Y-Strainer.
5. Secure fixture to wall and floor using hardware provided by the installer and/or hardware provided. Secure basin to fixture. Test for leaks and proper operation. See Flow Adjustment detail.

OPERATION INSTRUCTIONS:

Foot operation: Press and hold button using foot. When finished, cease pressing the button and allow the self-closing button to return to the closed position.



DETAIL A



GRT75-PF-RFS FREE STANDING ROUGH-IN AND INSTALLATION:

IMPORTANT: INSTALLATION AND SITE PREP FOR FREEZE RESISTANT OPTIONS "-FRU, -NP" WILL DIFFER FROM STANDARD. REFER TO DESIGNATED FREEZE RESISTANT INSTALLATION DETAILS.

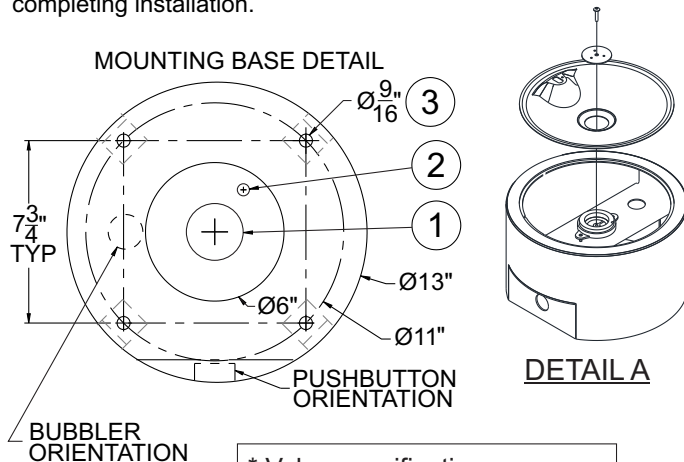
PRIOR TO INSTALLATION:

Important: Read all instructions and refer to local codes prior to installation.

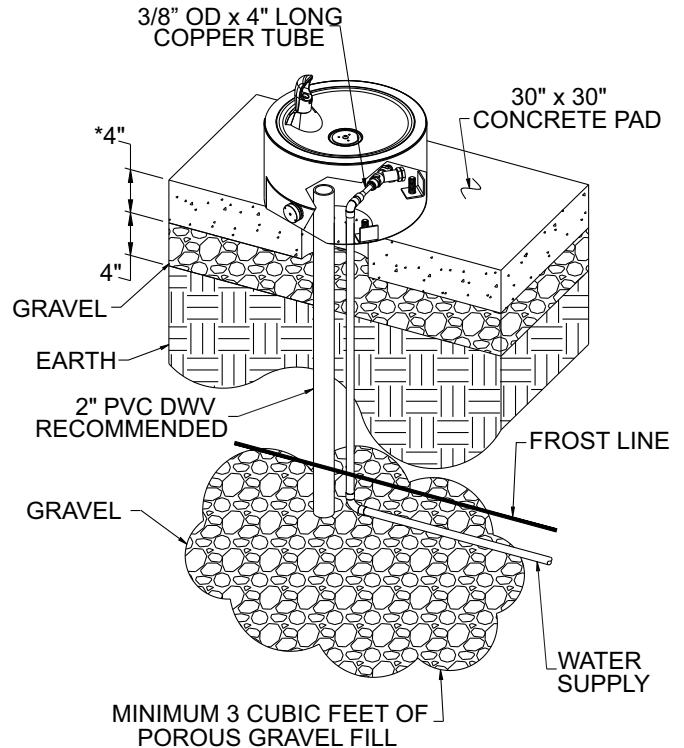
- Local soil conditions may require more gravel for drainage.
- It is recommended to include a supply stop appropriately located on the supply line.
- An in-line PRV installed on the supply line is recommended to ensure a working water pressure of 40-60 psi.
- A water filter should be installed on the supply line if sediment or mineral content is a problem.
- Prepare trench for water supply line and waste line (if required). At fountain location prepare hole to trench depth and large enough for a person to work. Lay supply and waste into trench allowing extra length to be trimmed during hook-up. Depending on code and design requirements, drain may be open, French or sanitary connection. For French drain, place a minimum of three cubic feet of gravel under drain opening. Local soil conditions may require more gravel drainage.
- Refill trench and hole, compacting back fill as required. Leave sufficient depth in hole to accommodate concrete pad pour.
- Prepare the slab area surrounding fountain spreading and compacting gravel as necessary. Prepare form approximately 6" diameter to protect supply and waste stub outs. **NOTE:** Refer to local codes for sufficient concrete pad depth height.
- Provide 30" x 30" concrete pad and allow to cure before completing installation.

INSTALLATION:

1. Remove basin from fixture by removing screw at center of drain and separate from fixture housing (See DETAIL A).
2. Use dimensional information below or use fixture as a template to locate and mark floor anchoring. Floor anchors are provided. Do not fix to floor at this time.
3. Stub-out 1-1/4" x 3-1/2" Floor Waste outlet extending to 2" DWV waste.
4. Thoroughly flush supply inlet prior to making up supply connections. Make up 1/2" supply inlet connection to Y-Strainer with 1/4" NCT x 4" Long Tube inlet. Y-Strainer includes 1/4" OD push-in fitting on the "OUT" side connection. Follow the water flow directional arrow indicated on the Y-Strainer.
5. Secure fixture to floor using 1/2" concrete floor anchoring hardware (Provided) following manufacturer's installation recommendations. Secure basin to fixture. Test for leaks and proper operation. See Flow Adjustment detail.



* Valve specifications:
Minimum/Maximum Pressure
30 to 100 psi.



GENERAL NOTES:

1. 1-1/4" OD WASTE OUTLET
2. 1/2" SUPPLY INLET
3. (4) 1/2" - 13 UNC FLOOR ANCHORS (PROVIDED)

GRT75-PF AND GRT75-PF-RFS MAINTENANCE:

MAINTENANCE:

All normal maintenance is done from above ground.

❖ Protect exposed valve assembly, tubing and tube openings to prevent damage to equipment or to prevent tubes from becoming filled with soil or debris.

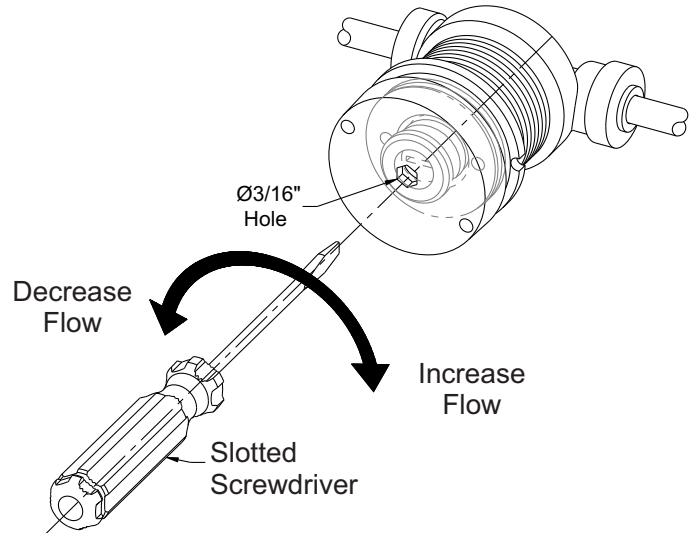
❖ Always shut off water supply when doing any maintenance.

❖ **To remove pushbutton assembly** remove bowl from housing. From inside of the housing, remove inlet and outlet lines from push-in ports of valve body. Using a spanner wrench remove pushbutton and retaining ring.

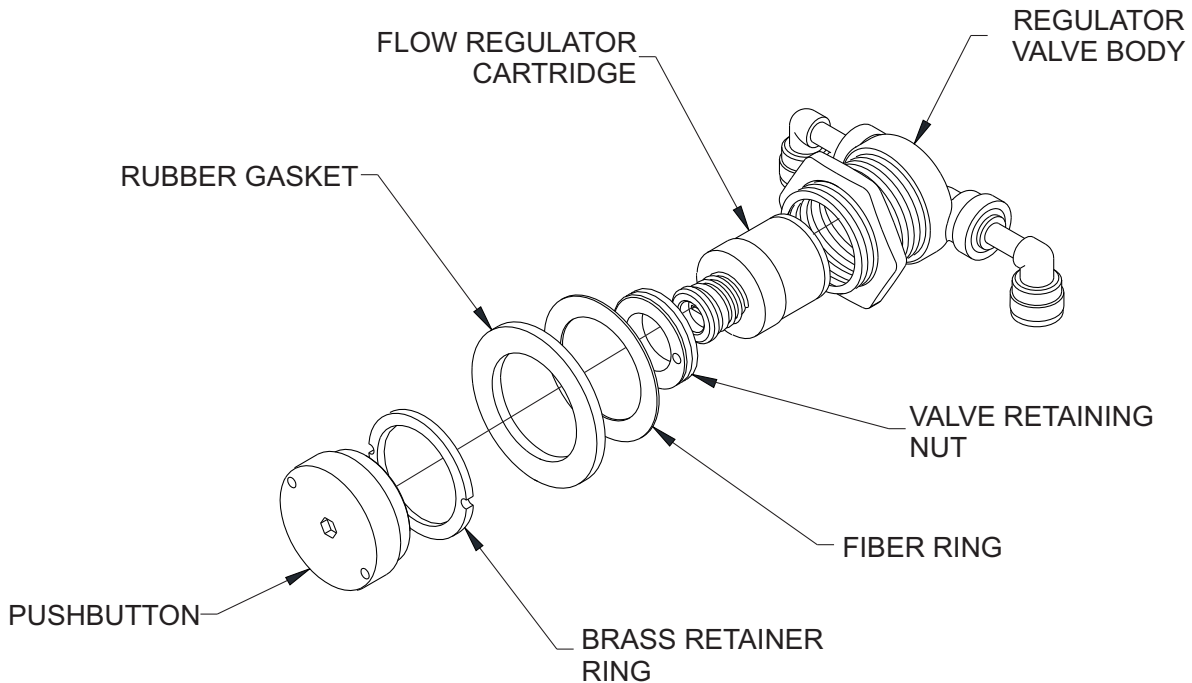
❖ **To replace regulator**, use a spanner wrench to remove pushbutton and retaining ring from the flange collar. Use a spanner wrench to remove retainer from the inside of the flange collar. Remove regulator, insert new regulator and align ports to new regulator with mating ports of valve body then replace retaining ring.

❖ **To access bubbler**, remove bowl from housing assembly. Remove bubbler plug with a spanner wrench and remove nut holding bubbler in place.

❖ **Re-assemble in reverse order.** When replacing inlet and outlet lines, ensure to insert supply line into valve port labeled "IN". Ensure plastic lines are not kinked when fountain is reassembled.

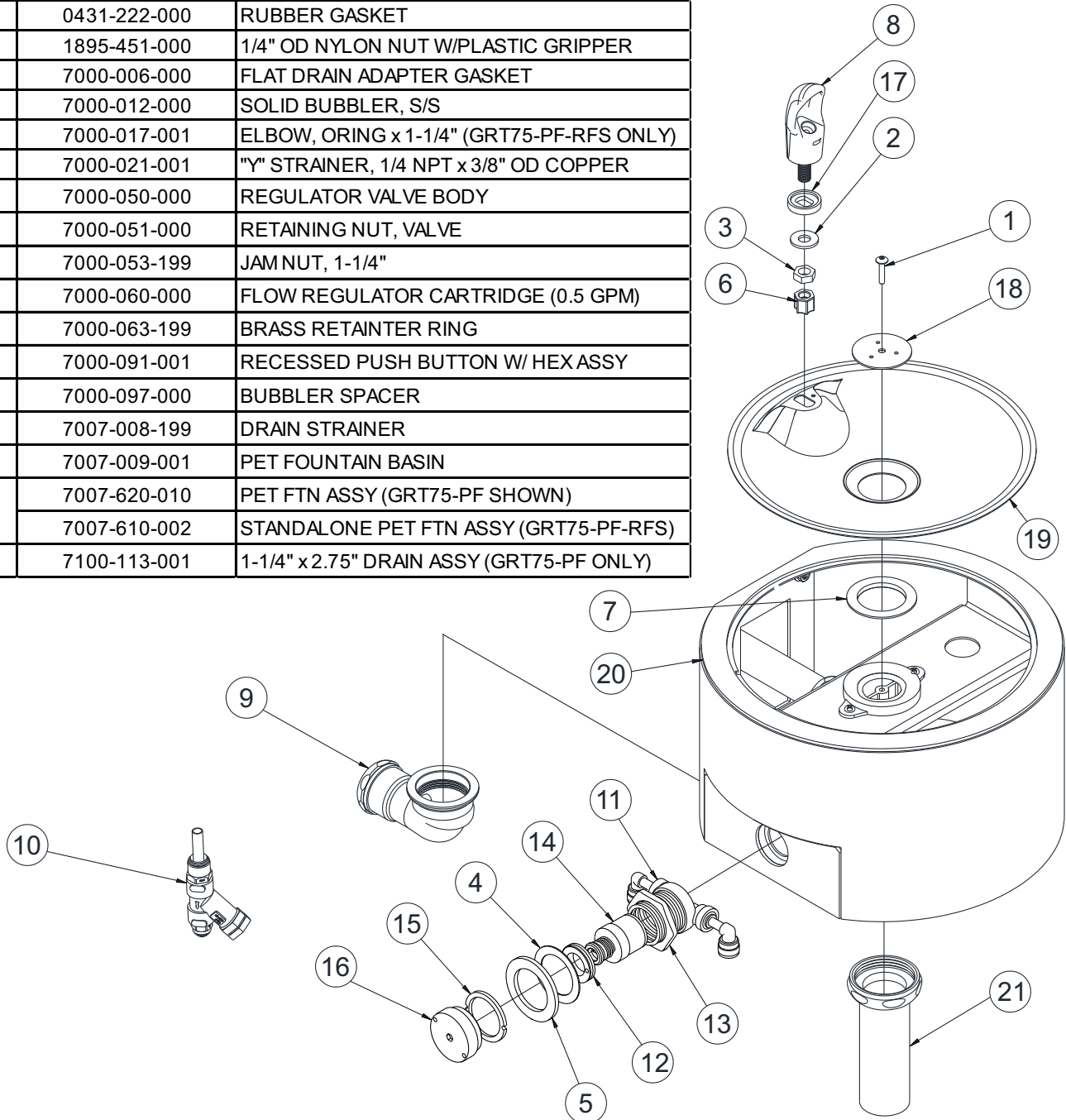


FLOW ADJUSTMENT



GRT75-PF AND GRT75-PF-RFS PARTS BREAKDOWN:

ITEM#	PART NUMBER	DESCRIPTION
1	0112-008-000	#10-32 x 1" S/S HEX SCREW
2	0304-013-000	THK FLAT WASHER
3	0332-013-000	7/16-20 UNF STEEL HEX NUT
4	0411-022-000	FIBER RING 1-3/4" x 1-1/4"
5	0431-222-000	RUBBER GASKET
6	1895-451-000	1/4" OD NYLON NUT W/PLASTIC GRIPPER
7	7000-006-000	FLAT DRAIN ADAPTER GASKET
8	7000-012-000	SOLID BUBBLER, S/S
9	7000-017-001	ELBOW, ORING x 1-1/4" (GRT75-PF-RFS ONLY)
10	7000-021-001	"Y" STRAINER, 1/4 NPT x 3/8" OD COPPER
11	7000-050-000	REGULATOR VALVE BODY
12	7000-051-000	RETAINING NUT, VALVE
13	7000-053-199	JAM NUT, 1-1/4"
14	7000-060-000	FLOW REGULATOR CARTRIDGE (0.5 GPM)
15	7000-063-199	BRASS RETAINER RING
16	7000-091-001	RECESSED PUSH BUTTON W/ HEX ASSY
17	7000-097-000	BUBBLER SPACER
18	7007-008-199	DRAIN STRAINER
19	7007-009-001	PET FOUNTAIN BASIN
20	7007-620-010	PET FTN ASSY (GRT75-PF SHOWN)
	7007-610-002	STANDALONE PET FTN ASSY (GRT75-PF-RFS)
21	7100-113-001	1-1/4" x 2.75" DRAIN ASSY (GRT75-PF ONLY)

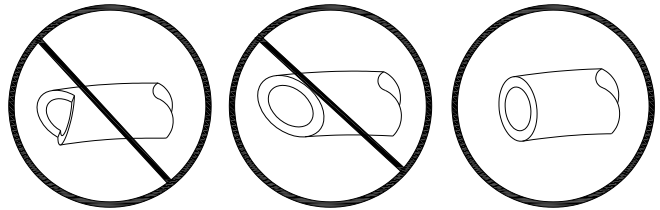


PUSH-IN FITTING INSTALLATION

NOTE: FITTINGS AND TUBE SHOULD BE KEPT CLEAN, BAGGED AND UNDAMAGED PRIOR TO INSTALLATION.

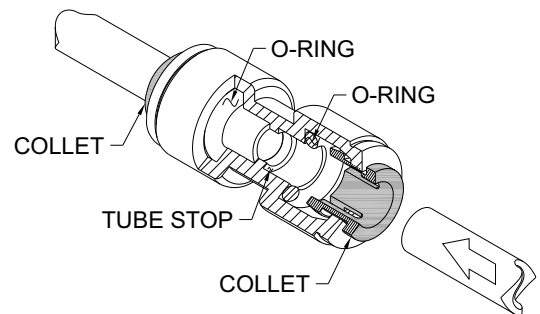
TO CUT TUBE:

Cut to fit length of 1/4" PE tubing and remove any burrs or sharp edges. Ensure that the outside diameter is free from score marks. Tube ends should be square.

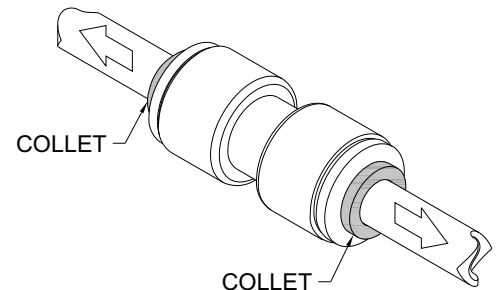


INSERTING THE TUBE:

1. Firmly and fully insert the tubing end into the push-in fitting up to the tube stop located approximately 1/2" deep.

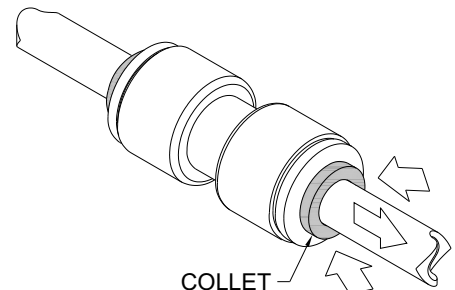


2. Pull on the fitted tubing to ensure it is secure. Tube should not come free from the fitting. Water test the connection assembly prior to leaving the site to ensure there are no leaks.



DISCONNECTING THE TUBE:

To disconnect the tube from the fitting ensure that the water line is depressurized. Push collet square towards the push-in fitting body and hold. While holding the collet in, pull on the PE tubing to remove from the push-in fitting.

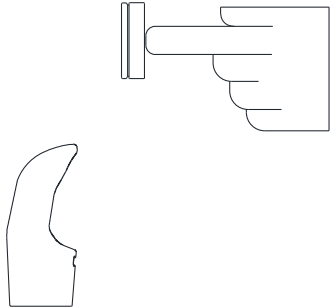


STANDARD PUSH PAD / PUSH BUTTON DRINKING FOUNTAIN

CONDITION:

SOLUTION:

NO WATER FLOW:



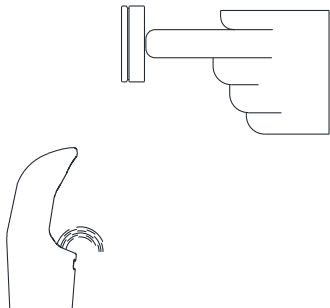
- 1.1 Check water main supply - open.
- 1.2 Inspect stop (by others) - open & no debris.
- 1.3 Inspect in-line strainer for debris - clean.
- 1.4 Replace valve cartridge.

WATER DRIPS / WILL NOT SHUT OFF:



- 2.1 For push pad activated drinking fountains only: Open fixture and move valve bracket assembly further back from push pad.
- 2.2 Replace valve cartridge.

REDUCED WATER FLOW:



- 3.1 Adjust the valve flow rate. See appropriate fixture installation instructions.
- 3.2 Check water main supply for 20 PSIG minimum flow pressure.
- 3.3 Inspect stop (by others) - open & no debris.
- 3.4 Inspect in-line strainer for debris - clean.
- 3.5 Inspect bubbler for debris - clean.
- 3.6 Inspect all tubing for twists or kinks.
- 3.7 Replace valve cartridge.