

Location: _____

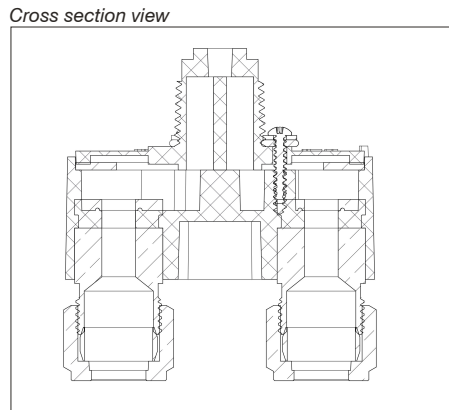
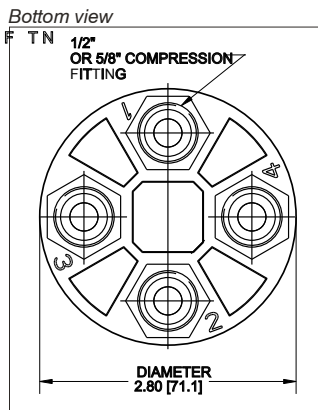


MI-DU

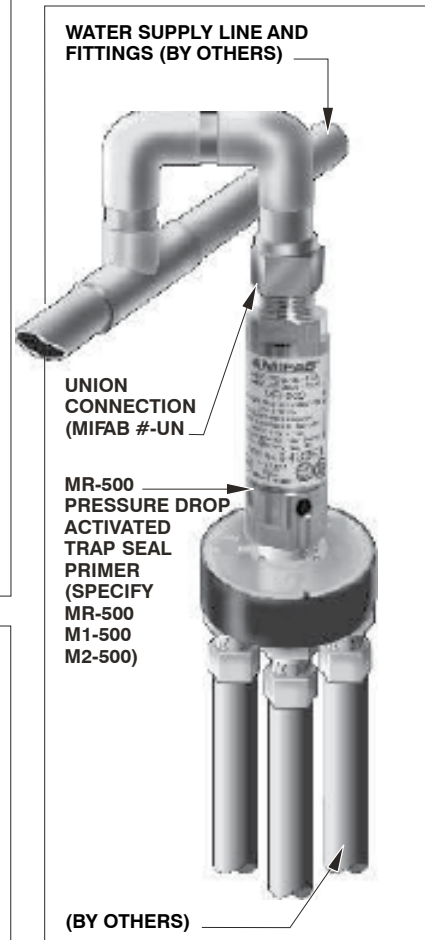
TRAP SEAL PRIMER DISTRIBUTION UNIT

Specification: MIFAB® Series MI-DU trap seal primer distribution unit is engineered to receive a metered amount of water from a trap seal primer and distribute the water equally to either two, three or four floor drain traps. Choose from either 1/2" or 5/8" compression connections by indicating suffix (-500) or 1/2" or suffix (-625) for 5/8". The lid of the distribution unit has the numbers 2", 3" and 4" marked on it. The body of the distribution unit has a guide marker on the top of the body. The numbers and the guide marker are positioned by removing the three screws in the lid of the unit and rotating the lid to match the appropriate numbers with guide marker to provide priming for the desired number of drains. The underside is marked with numbers 1-4 for ease in determining which ports will receive the water. Do not over torque the three lid screws when securing the lid back to the body. It is not necessary to install MIFAB's distribution perfectly level. The unique design will distribute water uniformly when out of level up to 5 degree.

Function: Used underneath a pressure drop activated trap seal primer to distribute water to either two, three or four floor drain traps. The lid of the distribution unit is marked with the numbers 2, 3, & 4. Remove the three lid securing screws to rotate the lid to match the desired number of drains with the guide marker pin to provide priming only to the required ports. The underside of the MI-DU is marked accordingly with numbers 1-4 to for ease in determining which ports will receive the prime. The four wall internal body design ensures that water is only directed to the selected outlets. Note: The MI-DU is factory preset to deliver priming water to ports 1 and 2. Do not over torque the three lid screws when securing the lid back onto the body. It is not necessary to install MIFAB's distribution unit perfectly level. The unique design will distribute water uniformly when out of level. Select MI-DU-500 when installing with soft copper tube (1/2" O.D.) and MI-DU-625 when installing with hard copper tube (5/8" O.D.).



TYPICAL INSTALLATION



SUFFIX	OPTIONAL VARIATIONS
-500	1/2" compression connections
-625	5/8" compression connections

Note: U.S. Patent # 6,283,442, Canadian Patent # 2,287,103, Australia Patent #755777

CALIFORNIA PROPOSITION 65 WARNING. This product contains chemicals known to the State of California to cause cancer and birth defects or other reproductive harm.

Job Name: _____ Page No: _____
 Section No: _____ Contractor: _____
 Schedule No: _____ Purchase Order No: _____