



DRINKING FOUNTAIN

A171FGVR Series

MODEL A171400S-FG-VR

BARRIER FREE, 14 GAGE STAINLESS STEEL,
ENHANCED VANDAL RESISTANCE,
WALL MOUNTED DRINKING FOUNTAIN

STANDARD FEATURES

- Child or Adult ADA Compliant (when properly installed)
- 14 gage stainless steel apron, basin and front access panel
- Stainless Steel, anti-rotation, non-squirt bubbler
- 100 mesh inlet strainer
- Vandal resistant screws and screened louvers
- Hanging bracket provided
- Auto-stop allows service of cartridge and strainer without shutting off water supply

SUGGESTED SPECIFICATIONS

Model A171400S-FG-VR is a enhanced vandal resistant drinking fountain. Unit shall be activated by a flush mounted chrome plated brass pushbutton using less than 5 pounds of force. Bubbler shall be lead-free stainless steel with an integrally designed non-squirt feature and operate on water pressure range of 20-105 psig. **Unit shall be constructed from 14 gage type 304 stainless steel** with integral drain and includes protective stainless steel screens behind exposed louver openings. Fountain is certified to ANSI A117.1, Public Law 111-380 (NO-LEAD), CHSC 116875 and NSF/ANSI 61, Section 9. Fixture meets ADA, ADA Standing Person, and ADA Child requirements when mounted appropriately.



Model A171FGVR Shown
PATENT# 10,100,933



Maintenance Advantage®
Water Cooler by Murdock Manufacturing

"INDOOR USE ONLY"

MODEL:

(Must Specify)

- A171400S-FG-VR Satin Stainless Finish

OPTIONS

(additional costs may be incurred)

- CSC2 Concealed support carrier
- WB1 Wall bezel, stainless steel
- WF1 1500 gallon capacity, NSF 42+53,
1 micron lead reduction filter

Complies with the following standards:



Federal Public Law 111-380 (No Lead)



Member of U.S. Green Building Council



Recyclable Product



Water Conserving Product

WARNING: Cancer and Reproductive Harm - www.P65Warnings.ca.gov

MURDOCK MFG. • 15125 Proctor Avenue • City of Industry, CA 91746 USA
Phone 800-453-7465 or 626-333-2543 • Fax 626-855-4860 • www.murdockmfg.com

Member of **MORRIS GROUP INTERNATIONAL**

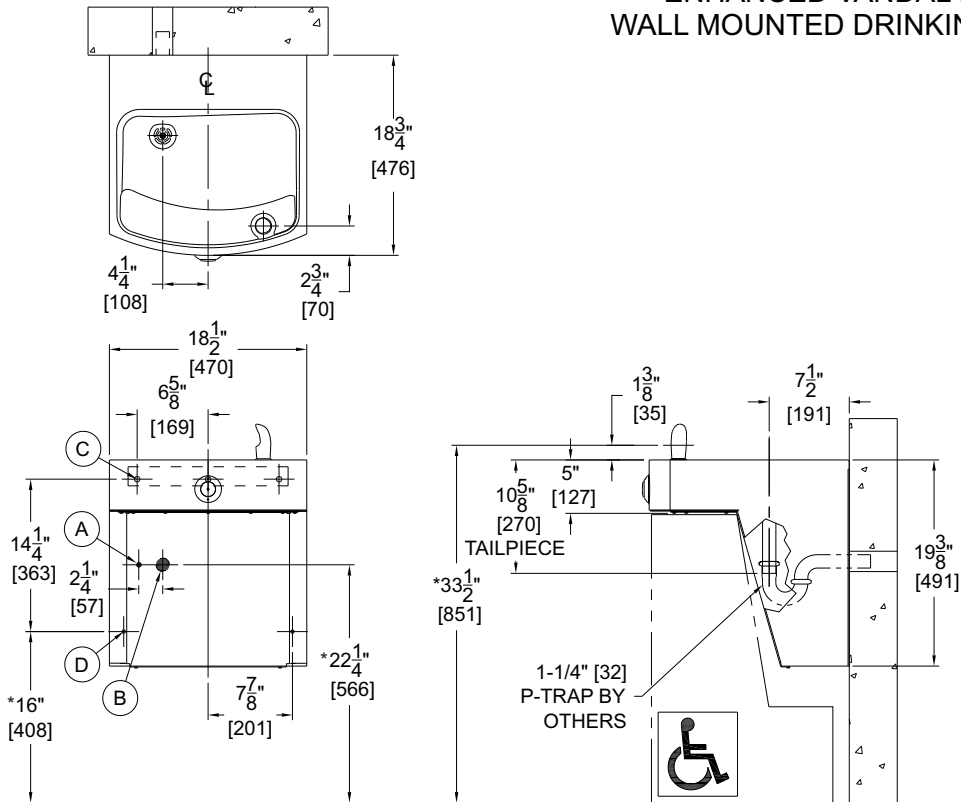


DRINKING FOUNTAIN

A171FGVR Series

MODEL A171400S-FG-VR

BARRIER FREE, 14 GAGE STAINLESS STEEL,
ENHANCED VANDAL RESISTANCE,
WALL MOUNTED DRINKING FOUNTAIN



GENERAL NOTES:

1. ALL DIMENSIONS ARE IN INCHES [MM]
 2. ALLOW 4 INCHES [102 MM] MINIMUM CLEARANCE PER SIDE FOR VENTILATION
 - *3. DIMENSIONS SHOWN ARE FOR RECOMMENDED ADULT HEIGHT. ADJUST VERTICAL DIMENSIONS AS NECESSARY TO COMPLY WITH FEDERAL, STATE, & LOCAL CODES
 4. STOP VALVE AND P-TRAP ARE NOT SUPPLIED
 5. IMPORTANT: UNITS MUST BE ATTACHED TO WALL WITH APPROPRIATE WALL ANCHOR SCREWS
- A. 3/8" NCT SUPPLY INLET
 - B. WASTE OUTLET FOR 1-1/4" P-TRAP BY OTHERS
 - C. Ø3/8" HANGER BRACKET PUNCHING, 3 PLACES FOR ANCHORING HARDWARE BY OTHERS
 - D. Ø1/4" PUNCHING, 2 PLACES FOR ANCHORING HARDWARE BY OTHERS

Murdock Mfg.™ warrants that its products are free from defects in material or workmanship under normal use and service for a period of one year from date of shipment. Murdock's liability under this warranty shall be discharged solely by replacement or repair of defective material, provided Murdock™ is notified in writing within one year from date of shipment, F.O.B. Industry, California.

SELECTION SUMMARY & APPROVAL FOR MANUFACTURING	Model Number & Options _____	Quantity _____	All dimensions are subject to manufactures tolerance of plus or minus 1/2" nominal and subject to change without notice. Murdock assumes no responsibility for use of void or superseded data. Dimensions may change with the addition of optional accessories. Murdock Mfg.™, Member of Morris Group International™. Please visit www.murdockmfg.com for most current specifications.
	Company _____		
	Contact _____	Title _____	
	Signature (Approval for Manufacturing) _____	Date _____	

MURDOCK MFG. • 15125 Proctor Avenue • City of Industry, CA 91746 USA
Phone 800-453-7465 or 626-333-2543 • Fax 626-855-4860 • www.murdockmfg.com

