



ELECTRIC DRINKING FOUNTAIN

AR81.8 Series

MODEL AR81408S

LIGATURE RESISTANT, BARRIER FREE,
INVERTED, FULLY RECESSED WALL
MOUNTED ELECTRIC DRINKING FOUNTAIN

STANDARD FEATURES

- Ligature Resistant
- Child or Adult ADA Compliant
(When Properly Installed With A Knee Clearance Alcove)
- 18 Gage 304 Stainless Steel Cabinet
- 16 Gage Galvanized Or Galvannealed Mounting Frame
- Polished Stainless Steel, Anti-Rotation, Ligature Resistant
- 100-Mesh Inlet Strainer
- Vandal Resistant Screws



AR81408S-BF, Shown

“INDOOR USE ONLY”

SUGGESTED SPECIFICATIONS

Model AR81408S is a self-contained, Inverted and Fully Recessed Pressurized Electric Drinking Fountain that shall deliver a minimum of **8.0 GPH** (30.3 LPH) of water at 50°F (10°C) cooled from 80°F (26.7°C) inlet water and 90°F (32.2°C) ambient. Unit shall be activated by a chrome plated brass Front Pushbutton(s) using less than 5 pounds of force. Bubbler shall be Stainless Steel, Ligature Resistant and operates on a water pressure range of 20–105 PSIG. Cabinet Panels shall be constructed from 304 Stainless Steel and the Bowl shall have an Integral Ligature Resistant Drain. Cooling system shall use R-134a refrigerant and be capillary tube regulated. An adjustable Thermostat with an off position shall regulate the Refrigeration System. Unit shall be listed by Underwriters Laboratories for both the US and Canada and is compliant to the Air Conditioning and Refrigeration Institute Standard 1010. Unit is certified to ANSI A117.1, Public Law 111-380 (NO-LEAD), CHSC 116875 and NSF/ANSI 61, Section 9. Fixture meets ADA, ADA Standing Person, and ADA Child requirements when mounted appropriately.

MODEL:

(Must Specify)

- AR81408S Ligature Resistant Stainless Steel Bubbler

OPTIONS

(additional costs may be incurred)

- BF Ligature Resistant Bottle/Cup Filler
- WF1 1500-Gallon Capacity, NSF 42+53, 1-Micron Lead Reduction Filter
- WF3 3000-Gallon Capacity, NSF 42+53, 1-Micron Lead Reduction Filter
- 220V 220 volt/50 Hz or 60 Hz Compressor
- LBPH Less Bubbler & Less Bubbler Pushbutton Actuator (Bottle/Cup Filler Pushbutton Actuator Located in Center)

Model Number	GPH*	Rated Watts	Full Load Amps	Approx. Shipping Weight
AR81408S	8.0	390	4.6	110 lbs.

* GPH of 50°F water at 90°F ambient room temperature and 80°F inlet water temperature
Compressor motor operates on 115 Volt / 60 Hz single phase.



Test rating conditions are compliant with ARI 1010.



Member of
U.S. Green
Building
Council



Recyclable
Product



Water
Conserving
Product

⚠ WARNING: Cancer and Reproductive Harm - www.P65Warnings.ca.gov

MURDOCK MFG. • 15125 Proctor Avenue • City of Industry, CA 91746 USA
Phone 800-453-7465 or 626-333-2543 • Fax 626-855-4860 • www.murdockmfg.com

Member of
MORRIS GROUP
INTERNATIONAL

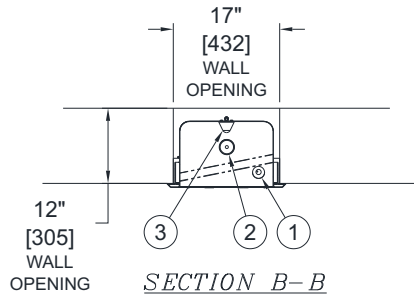


ELECTRIC DRINKING FOUNTAIN

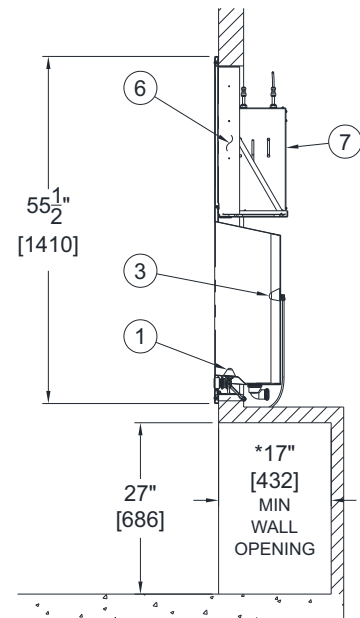
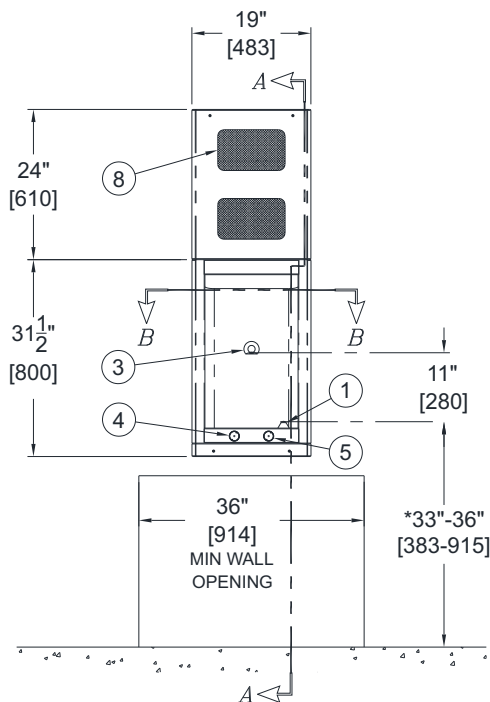
AR81.8 Series

MODEL AR81408S

LIGATURE RESISTANT, BARRIER FREE,
INVERTED, FULLY RECESSED WALL
MOUNTED ELECTRIC DRINKING FOUNTAIN



1. LIGATURE RESISTANT BUBBLER
2. LIGATURE RESISTANT STRAINER
3. OPTIONAL -BF LIGATURE RESISTANT CUP/BOTTLE FILLER
4. VANDAL RESISTANT PUSHBUTTON ACTUATOR FOR CUP/BOTTLE FILLER
5. VANDAL RESISTANT PUSHBUTTON ACTUATOR FOR BUBBLER
6. MOUNTING FRAME ASSEMBLY
7. 8.0 GPH CHILLER
8. VENTILATION PANEL



SECTION A-A

GENERAL NOTES:

1. ALL DIMENSIONS ARE IN INCHES [MM]
- *2. DIMENSIONS SHOWN ARE FOR RECOMMENDED ADULT HEIGHT. ADJUST VERTICAL DIMENSIONS AS NECESSARY TO COMPLY WITH FEDERAL, STATE, & LOCAL CODES
3. STOP VALVE NOT PROVIDED

Murdock Mfg.™ warrants that its products are free from defects in material or workmanship under normal use and service for a period of one year from date of shipment. Murdock's liability under this warranty shall be discharged solely by replacement or repair of defective material, provided Murdock™ is notified in writing within one year from date of shipment, F.O.B. Industry, California.

SELECTION SUMMARY & APPROVAL FOR MANUFACTURING	Model Number & Options _____	Quantity _____	All dimensions are subject to manufactures tolerance of plus or minus 1/2" nominal and subject to change without notice. Murdock assumes no responsibility for use of void or superseded data. Dimensions may change with the addition of optional accessories. Murdock Mfg.™, Member of Morris Group International™. Please visit www.murdockmfg.com for most current specifications.
	Company _____		
	Contact _____	Title _____	
	Signature (Approval for Manufacturing) _____	Date _____	

MURDOCK MFG. • 15125 Proctor Avenue • City of Industry, CA 91746 USA
Phone 800-453-7465 or 626-333-2543 • Fax 626-855-4860 • www.murdockmfg.com

Member of
MORRIS GROUP INTERNATIONAL