

WEATHER-TITE APPLICATION TOOLS

ONE STEP STAND UP MANUAL APPLICATOR

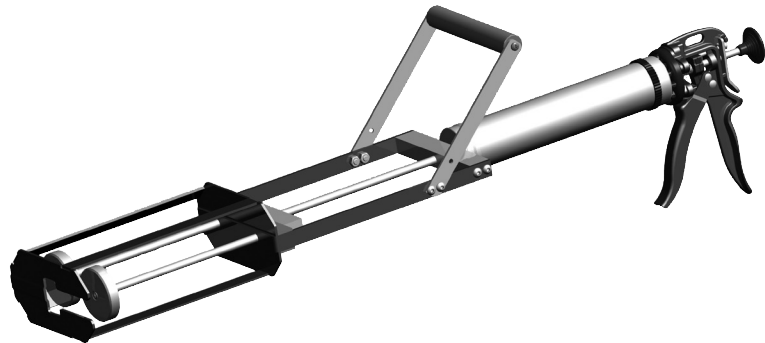
Weather-Tite®
One Step
Foamable Adhesive

- ▼ Easy Application
- ▼ No Temperature Limitations
- ▼ Quick Set Time



WTT
SYSTEMS

For additional information
call 888-868-0883 or see us at:
wttus.com



Benefits

- Install a square of insulation in less than two minutes
- Simple to use, works like a caulk gun
- Recommended for smaller roofs or congested areas
- Because it can dispense material with heavier viscosities, it is recommended for use with Hurricane Force® Universal Sealer, Hurricane Force® Black Foam
- Produces in the range of 1100 - 1500 pounds of thrust
- Convenient stand up feature saves labor and time
- Center drive feature ensures an equal mix every time

Safety

This applicator is a quality tool made for the professional user. Take the time to thoroughly understand its operation.

Loading

Ensure the plungers are fully retracted. Place the rear of the cartridge over the plungers and lower the front of the cartridge into the frame assembly.

Operation

Assemble the applicator by following the provided assembly instructions. Once the applicator is loaded and plungers are drawn snug to the back of the cartridge, simply squeeze the trigger located on the handle. To stop, release pressure from the trigger and press the release button located on the back side of the handle to relieve pressure. To retract the plungers, simply press the release button and pull back upon the plunger handle until plungers are fully retracted.

Maintenance

- Wipe the applicator clean of residual adhesive using mineral spirits. Take special care to remove material from drive rods.
- Check the plungers and all external bolts/screws for tightness.

Do the Job Right...with Weather-Tite

