

SPECIFICATION:

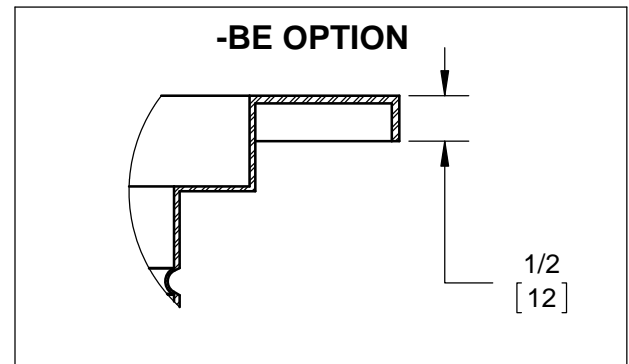
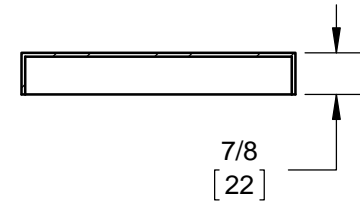
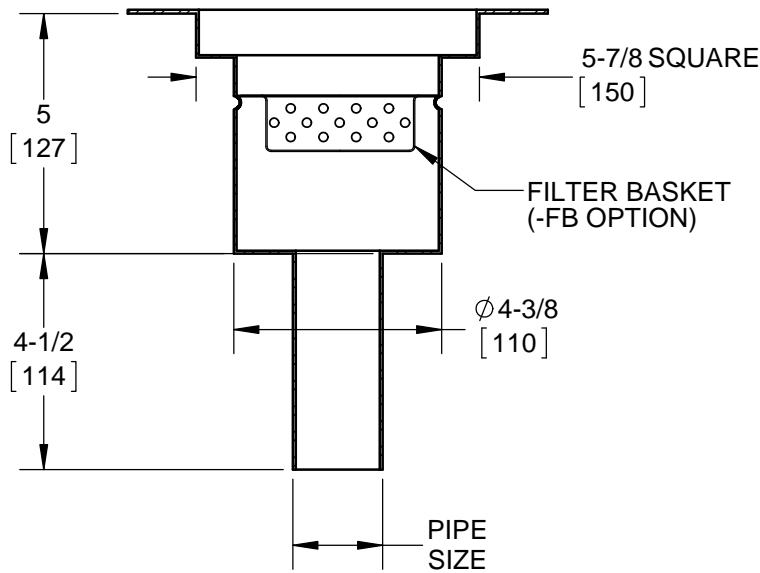
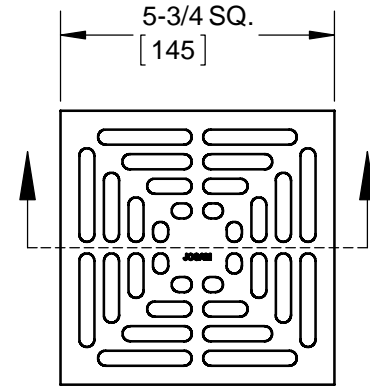
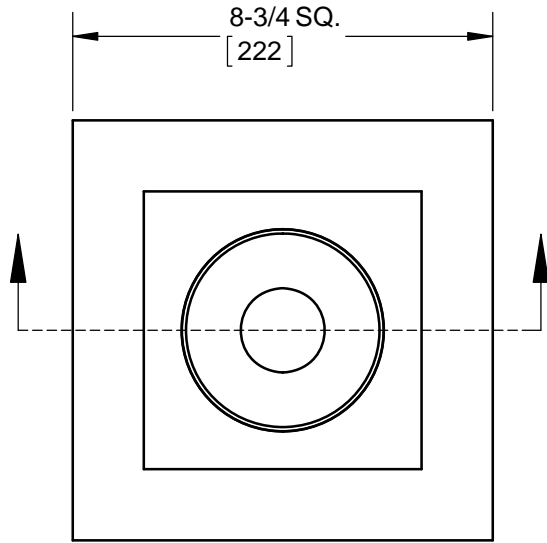
JOSAM SERIES 45430 FABRICATED STAINLESS STEEL (TYPE 304) LINER TO FIT 8" TOP x 6" DEEP DRAINS/SINKS, WITH CLOSE-FIT BOTTOM OUTLET, AND PERFORATED SS GRATE.

**SS DRAIN/SINK
LINER FOR 8" TOP x 6" DEEP**

SERIES **45430**

SEE 45400 TOPS DWG FOR GRATE OPTION DETAILS

STANDARD GRATE
PERFORATED - LIGHT DUTY
FREE AREA = 11.5 IN²
MEETS ADA AND HEEL-PROOF REQS.



OPTIONS:

-FB	FILTER BASKET (41300-FB)
-SB	SEDIMENT BUCKET (41300-SB)
-NG	NO GRATE
-HG	PERFORATED HALF GRATE
-3Q	PERFORATED 3/4 GRATE
-LG	LADDER GRATE
-316	TYPE 316L MATERIAL
-BE	BENT EDGE ON FLANGE

MODEL	PIPE SIZE	OUTLET O.D.
45432	2"	1.87 [47.5]
45433	3"	2.87 [72.9]
45434	4"	3.85 [97.8]

OUTLET O.D. DESIGNED TO FIT CLOSELY WITH I.D. OF NO-HUB CAST IRON PIPE

DATE OF LAST CHANGE: 01/04/17

DIMENSIONS ARE SUBJECT TO MANUFACTURERS TOLERANCES AND CHANGE WITHOUT NOTICE. WE CAN ASSUME NO RESPONSIBILITY FOR USE OF SUPERSEDED OR VOID DATA.

JOSAM COMPANY
MICHIGAN CITY, INDIANA

NOTES