

M

SMITH® JAY R. SMITH MFG. CO.®
 MEMBER OF MORRIS GROUP INTERNATIONAL
 POST OFFICE BOX 3237
 MONTGOMERY, ALABAMA 36109-0237 (USA)
 TEL: 334-277-8520 FAX: 334-272-7396 www.jrsmith.com



LOCATION

OIL INTERCEPTORS

LARGE CAPACITY - STEEL OIL INTERCEPTORS

FUNCTION: Large capacity oil interceptors are used in large garages, service areas and industrial plants where waste laden with oil and sediment must be intercepted. The intercepted oils are drawn off by gravity to a storage tank or container. Any sediment which is included in the discharge is collected in a large sediment bucket and periodically removed. Interceptors should not be located directly in traffic areas. If required, specify extra heavy duty traffic cover.

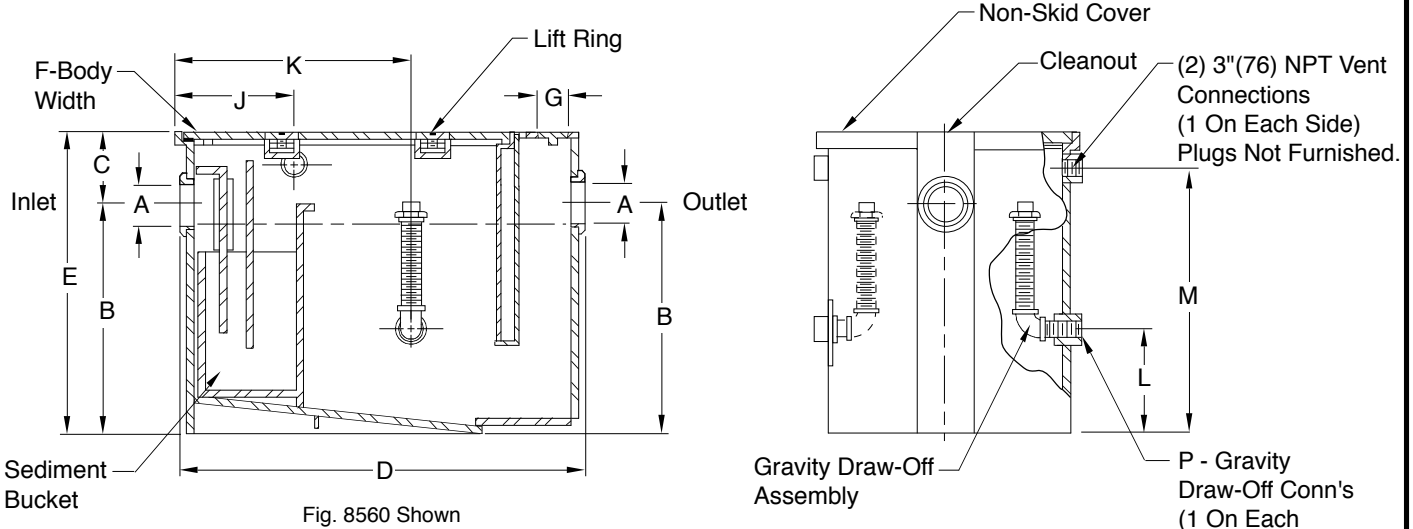


Fig. 8560 Shown

NOTE: Interceptor shall be vented on outlet side per local code requirements.

NOTE: It is the responsibility of the installer to check all parts (internal and external) to verify they are in their proper operating order and location.

(2) 3" (76) NPT Vent Connections (1 On Each Side) Plugs Not Furnished.

P - Gravity Draw-Off Conn's (1 On Each Side) Plugs Not Furnished

PCN/ Fig. No.	GPM Flow Rate	Inlet and Outlet Size	Dimensions						C.O. Plug Size	Dimensions					Draw- Off
			Roughing Dimensions			Body				G	J	K	L	M	
			A*	B	C	D	Height E	Width F							
8560	75	04(100)	21 1/2(545)	15 1/2(395)	50 (1270)	37(940)	30 1/2(775)	3(76)	21(535)	28 1/4(720)	13(330)	32 3/4(830)	2(51)		
8565	100	04(100)	27(685)	16 1/2(420)	54 (1372)	43 1/2(1105)	33 1/2(850)	3(76)	23(585)	30 1/4(770)	18 1/2(470)	39 1/4(995)	2(51)		
8570	150	05(125)	33(840)	17 1/2(545)	60 3/4(1543)	50 1/2(1283)	38 1/2(980)	4(100)	25 1/2(650)	34 1/4(870)	23 1/2(595)	46 1/4(1175)	2 1/2(64)		
8575	200	05(125)	37(940)	17 1/2(545)	67 3/4(1720)	54 1/2(1385)	43 1/2(1105)	4(100)	29(735)	38 1/4(970)	27 1/2(700)	50 1/4(1275)	2 1/2(64)		
8580	250	05(125)	40(1015)	18(455)	73 3/4(1875)	58(1473)	47 1/2(1205)	4(100)	32(815)	42 1/4(1075)	30 1/2(775)	53 3/4(1365)	2 1/2(64)		
8585	350	05(125)	43 1/2(1105)	18(455)	85 3/4(2178)	61 1/2(1562)	54 1/2(1385)	4(100)	38(965)	50 1/4(1275)	34(865)	57 1/4(1455)	2 1/2(64)		
8590	500	06(150)	48(1220)	18(455)	103 1/4(2623)	66(1615)	64 1/2(1640)	5(125)	46(1170)	62 1/4(1580)	38(965)	61 3/4(1570)	2 1/2(64)		

* Available with larger inlet and outlet when specified.

REGULARLY FURNISHED:

Steel Interceptor with Gray Duco Coating Inside and Outside and Flow Control Fitting.

2"(51) min. extension available. Anchor flange & flashing clamp not available on less than 4"(100) extension.

VARIATIONS:

- Anchor Flange -F
- Flange and Flashing Clamp -F-C
- Integral Extension -E [Specify Height eg: -E12 for 12"(305) Ext.]
- NO-HUB Adaptor (4) Req'd (Specify Fig. 2646Y)
- Traffic Rated Cover-H20

OPTIONAL MATERIALS:

- Acid Resistant Coating Inside - ARI
- Acid Resistant Coating Outside - ARO
- Acid Resistant Coating Inside and Outside - ARIO
- Aluminum Cover -AC
- Coal Tar Epoxy Outside -CTO

NOTE: Dimensions shown in parentheses are in millimeters.

DRAWING NUMBER
S8560

SIZE
A

SCALE:
NONE

DATE:
12-11-84

APPROVED BY:
KG

CHECKED BY:
VGD

DRAWN BY:
PJ

8560

FIGURE NUMBER

M	4-18-19	Revised Dimensions	MW	CL	WEIGHT POUNDS	VOLUME CUBIC FEET	FIGURE NUMBER 8560
L	3-31-17	Revised Optional Materials	TBW	TK			
K	5-5-06	Revised Drawing & Note	RN	CL			
J	2-3-05	Revised Variations	RN	CL			
REV.	DATE	DESCRIPTION	BY	CKD. BY			