

**SPECIFICATION:**

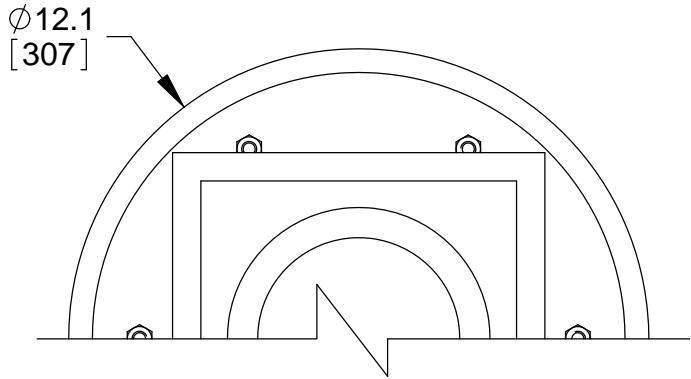
JOSAM SERIES 43450 FABRICATED STAINLESS STEEL (TYPE 304), 8" SQUARE TOP, ADJUSTABLE DEPTH, WITH NO-HUB BOTTOM OUTLET, LEVELING FEET, MEMBRANE CLAMP AND PERFORATED SS GRATE (STANDARD).

**SS DRAIN**

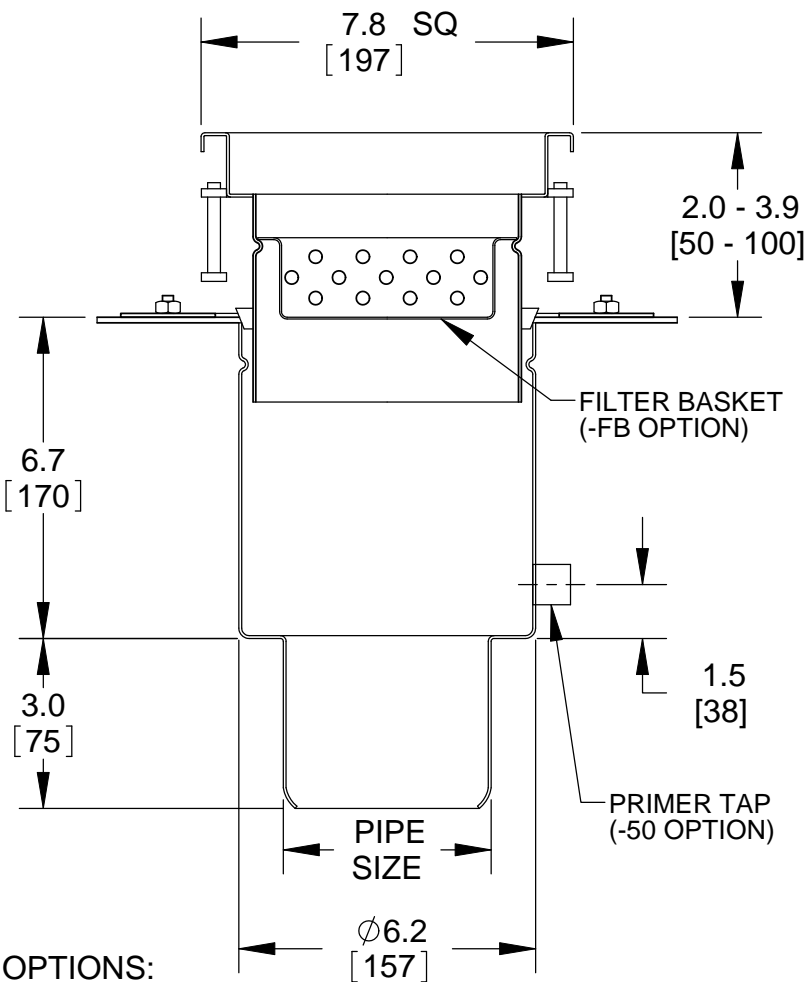
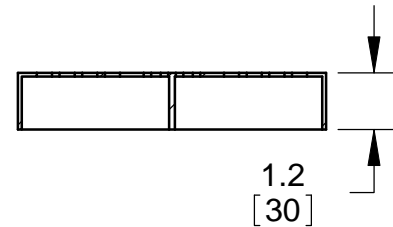
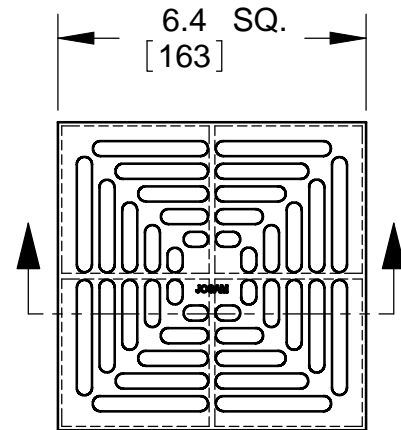
8" SQUARE TOP, ADJUSTABLE

SERIES

**43450**



**STANDARD GRATE**  
FREE AREA = 18.1 IN<sup>2</sup>  
MEETS ADA AND HEEL-PROOF REQMNTS.



	MODEL	PIPE SIZE
	43452	2"
	43453	3"
	43454	4"

**OPTIONS:**

-FB	FILTER BASKET
-SB	SEDIMENT BUCKET
-VP	SECURED GRATE
-SO	SIDE OUTLET
-50	1/2" PRIMER TAP
-T	THREADED OUTLET
-BW	BUTT-WELD OUTLET (SPEC. 10, 40, 80)

-NG	NO GRATE
-HG	PERF. HALF GRATE
-3Q	PERF. 3/4 GRATE
-MG	MESH, ANTI-SLIP GRATE
-LG	LADDER GRATE
-SG	PERIMETER SLOT GRATE
-316	TYPE 316L MATERIAL

DATE OF LAST CHANGE: 07/14/10

DIMENSIONS ARE SUBJECT TO MANUFACTURERS TOLERANCES AND CHANGE WITHOUT NOTICE. WE CAN ASSUME NO RESPONSIBILITY FOR USE OF SUPERSEDED OR VOID DATA.

**JOSAM COMPANY**  
MICHIGAN CITY, INDIANA

NOTES