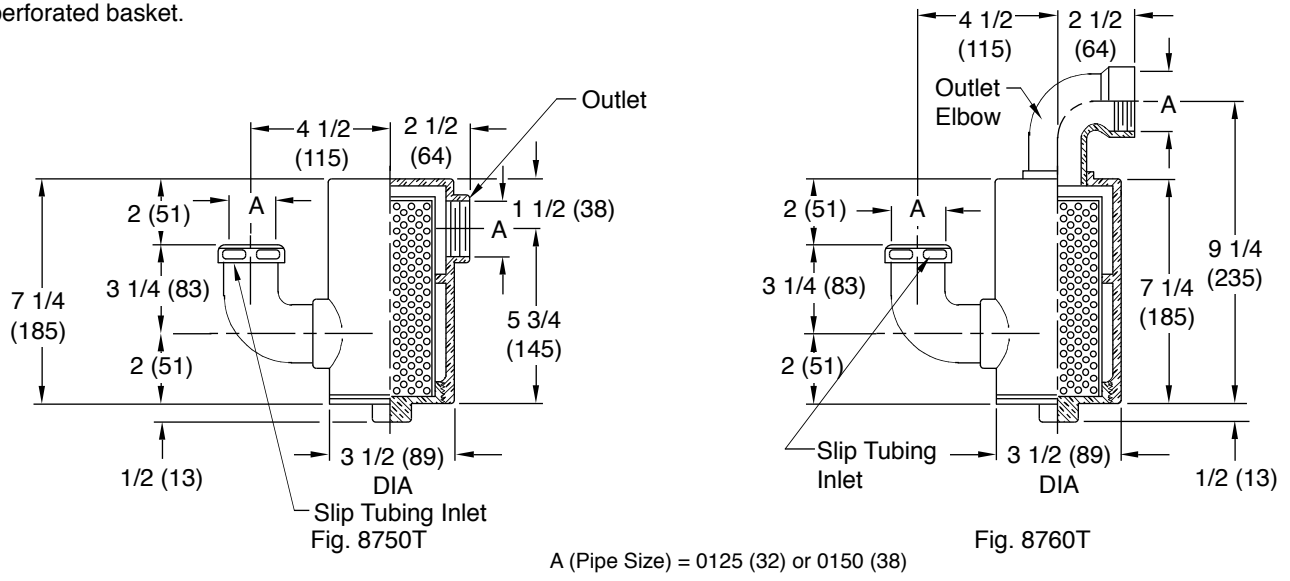


SOLIDS INTERCEPTORS

SUSPENDED TYPE HAIR AND LINT INTERCEPTORS

FUNCTION: Installed on the lavatory or sink in dormitories, motels and beauty salons. Intercepts hair and sediment which is commonly encountered in these areas. Serves also as a safeguard against losing rings and other valuable jewelry due to accidental dropping into lavatory drain. Unit is easily cleaned by removing cleanout plug on bottom of body and dropping perforated basket.



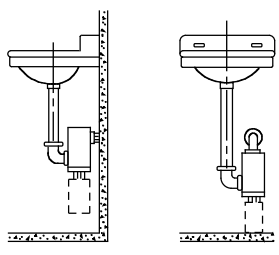
A (Pipe Size) = 0125 (32) or 0150 (38)

NOTE: Allow 7" (180) below interceptor for removal of basket.
NOTE: Chrome plated cast iron interceptor recommended for beauty shops.
NOTE: It is the responsibility of the installer to check all parts (internal and external) to verify they are in their proper operating order and location.

REGULARLY FURNISHED:
 Chrome Plated Bronze Body,
 Gasketed Cover and Slip-Type Inlet
 Elbow with Perforated Stainless
 Steel Basket.

OPTIONAL MATERIALS:

	Chrome Plated Cast Iron -CP
	Duco Cast Iron -CI
	Polished Bronze -PB



NOTE: Dimensions shown in parentheses are in millimeters.

TYPICAL INSTALLATIONS
 Fig. 8750T Fig. 8760T

DRAWING NUMBER **S8750**
 SIZE **A**
 SCALE: **NONE**
 DATE: **12-11-84**
 APPROVED BY: **KG**
 CHECKED BY: **VGD**
 DRAWN BY: **PJ**
8750, 8760
 DIMENSIONS ARE SUBJECT TO MANUFACTURERS TOLERANCE AND CHANGE WITHOUT NOTICE

REV.	DATE	DESCRIPTION	BY	CKD. BY	WEIGHT POUNDS	VOLUME CUBIC FEET	FIGURE NUMBER 8750, 8760
B A	7-11-95 9-14-94	Added Millimeters Submittal Update	EMB CMB	BS			