

**SPECIFICATION:**

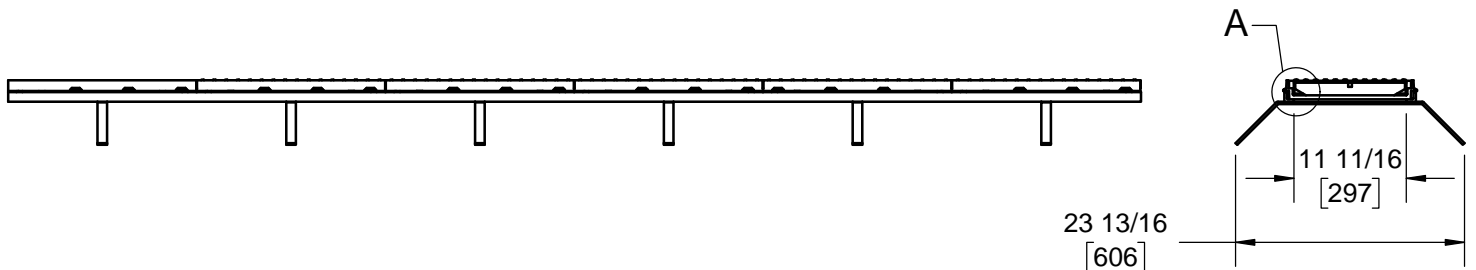
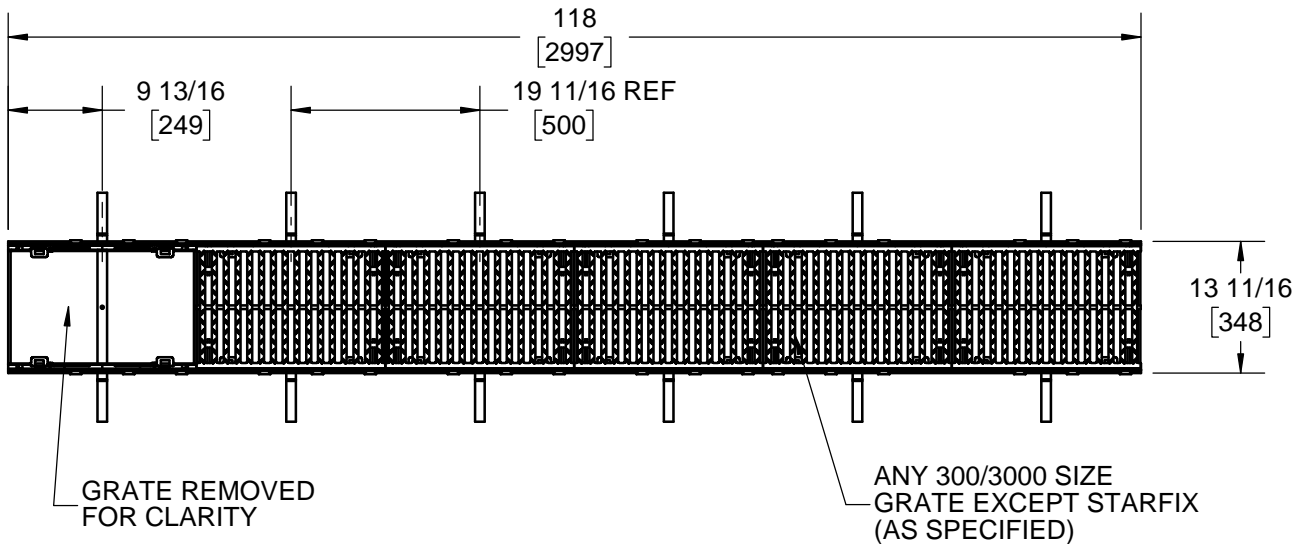
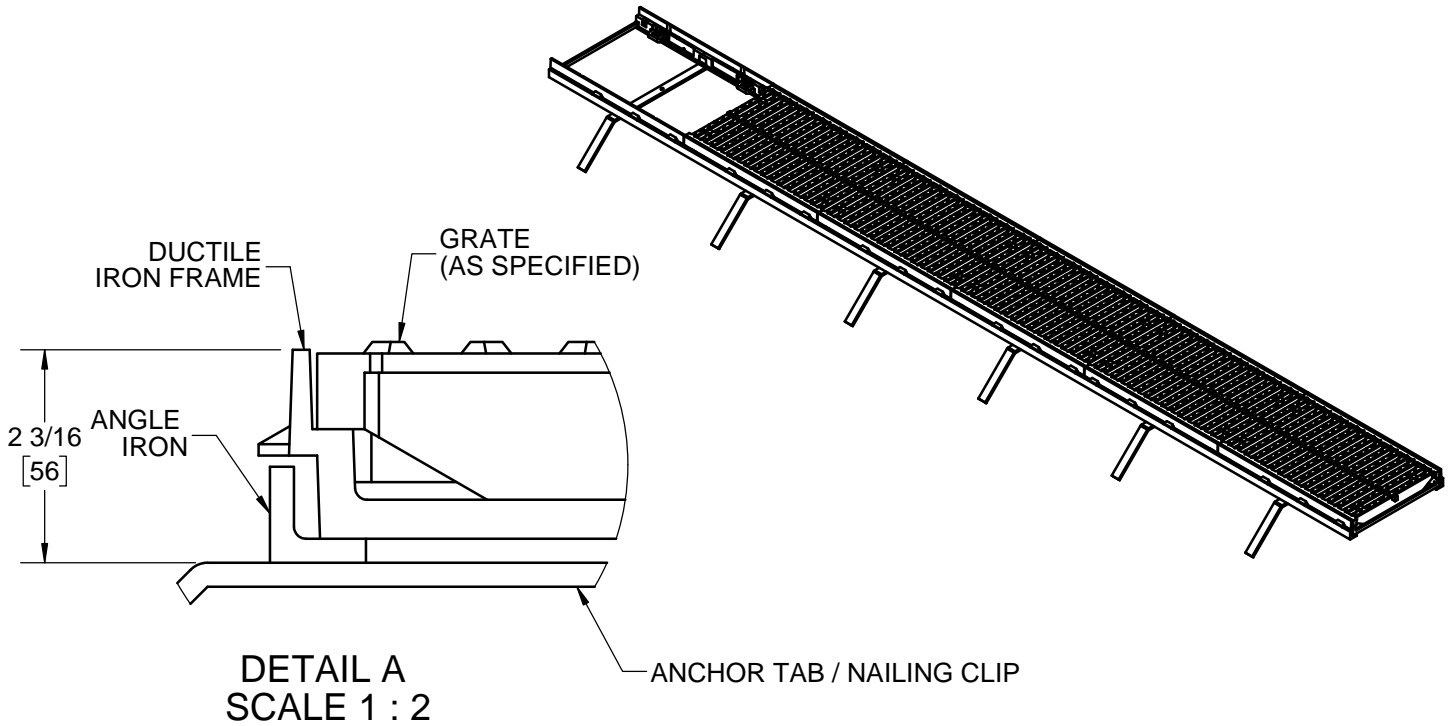
JOSAM 76230 SERIES BLACK PAINTED 9'-10" LONG STEEL ANGLE IRON FRAME WITH COMBINATION ANCHOR TABS / NAILING CLIPS, AND SIX DUCTILE IRON FRAMES TO FIT NON STARFIX 300/3000 SERIES GRATES.

**FRAME & GRATE ASSY**

300 SIZE

SERIES

**76230**



WARNING: Cancer and Reproductive Harm - www.P65Warnings.ca.gov

DATE OF LAST CHANGE: 7/03/18

DIMENSIONS ARE SUBJECT TO MANUFACTURERS TOLERANCES AND CHANGE WITHOUT NOTICE. WE CAN ASSUME NO RESPONSIBILITY FOR USE OF SUPERSEDED OR VOID DATA.

**JOSAM**  
MICHIGAN CITY, INDIANA

NOTES