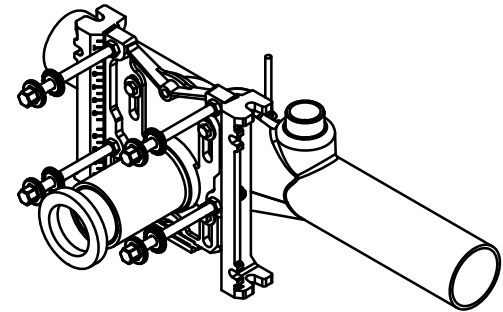
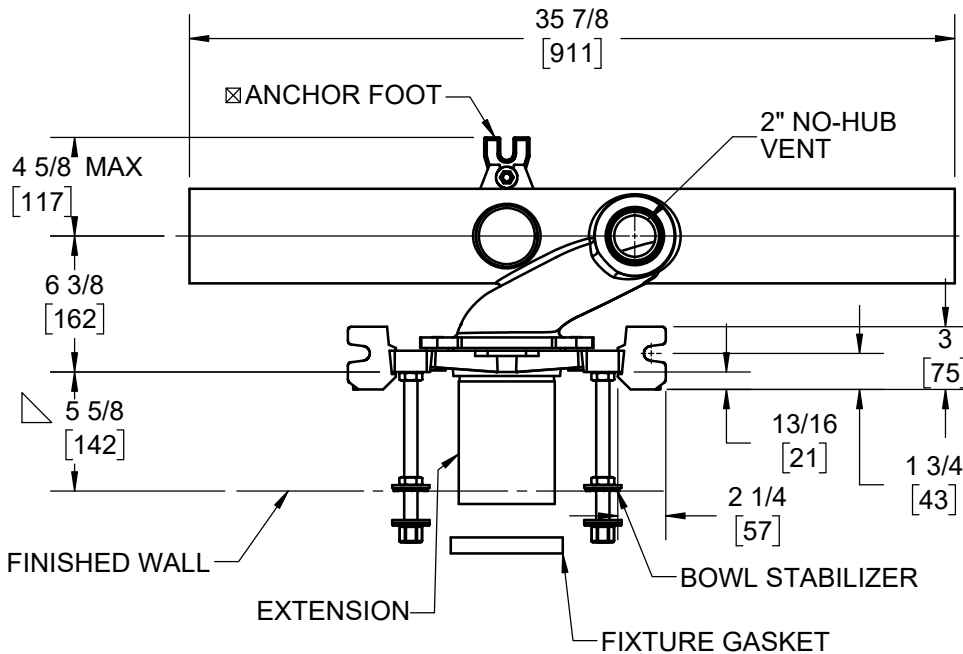


SPECIFICATION:

JOSAM 12674-58 SERIES COATED CAST IRON LONG BARREL LEFT-HAND HORIZONTAL 4" NO-HUB FITTING WITH 2" NO-HUB VENT AND ADJUSTABLE CARRIER BODY, ABS EXTENSION WITH INTEGRAL TEST CAP, PYLON FEET, ANCHOR FOOT, PLATED HARDWARE AND NEOPRENE FIXTURE GASKET, INVERTABLE FOR SIPHON JET OR BLOWOUT CLOSETS.

**CLOSET CARRIER
LEFT HAND**

SERIES **12674-58**



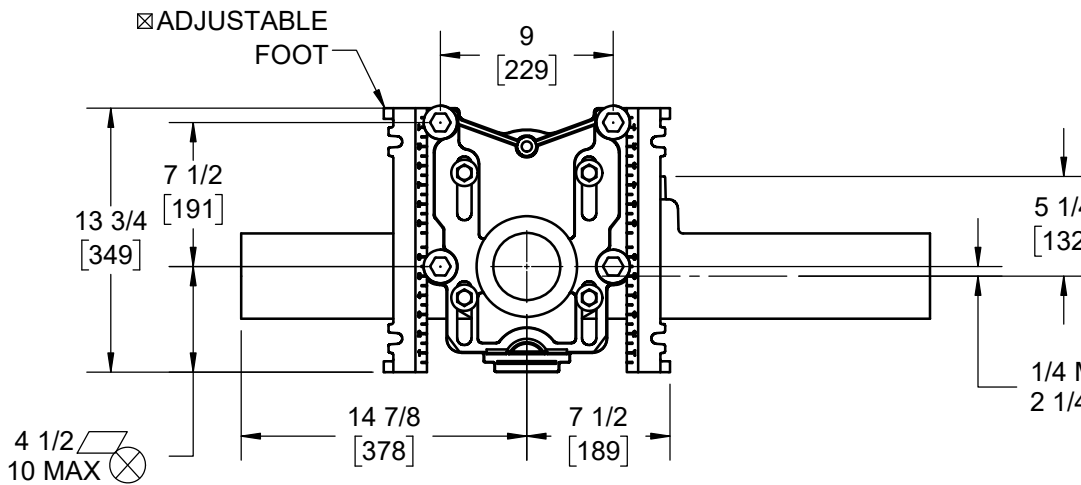
△ FOR DIMENSION SHORTER THAN 5-1/2" (1" MIN) CUT EXTENSION FOR LONGER EXTENSION (10-1/2" MAX) SPECIFY (-10)

☒ RECOMMEND FEET BE SECURED TO FLOOR WITH 1/2" BOLTS AND ANCHORS (BY OTHERS)

⊗ FOR SIPHON JET ROUGHING OVER 6" OR BLOWOUT ROUGHING OVER 12-1/2" SPECIFY ON ORDER.

SIPHON JET DIMS SHOWN. FOR BLOWOUT DIMS, USE:

- MIN 2" & MAX 4"
- △ MIN 11 & MAX 16-1/2"
- 1/4 MIN □ 2 1/4 MAX



WARNING: Cancer and Reproductive Harm - www.P65Warnings.ca.gov

-PF	PYLON FOOT, STD.	-10	ABS EXTENSION THROUGH 10-1/2" WALL
-OR	O-RING CARRIER	-24	FLOOR MOUNTED BACK OUTLET CHINA BOWL
-SD	SPECIAL-DUTY 500 LB. CARRIER	-30	CAST IRON ADJ. EXTENSION W/ CONNECTOR
-HS	HUB & SPIGOT	-30-2	CAST IRON ADJ. EXT. W/ CONNECTOR & TEST CAP
-AUX	AUXILIARY INLET	-32	CARRIER FOR WIDE CHASE INSTALLATIONS
-VP	VANDAL-PROOF TRIM	-35	CARRIER FOR WHEELCHAIR HIGH ROUGH
-1	POSITIONING FRAME	X -58	HORIZONTAL HUB AND SPIGOT CAST LONG BARREL
-6	SUPPLY PIPE SUPPORT (SPECIFY TYPE OF PIPE)		

DATE OF LAST CHANGE: 8/15/18

DIMENSIONS ARE SUBJECT TO MANUFACTURERS TOLERANCES AND CHANGE WITHOUT NOTICE. WE CAN ASSUME NO RESPONSIBILITY FOR USE OF SUPERSEDED OR VOID DATA.

JOSAM

MICHIGAN CITY, INDIANA

NOTES