

SPECIFICATION:

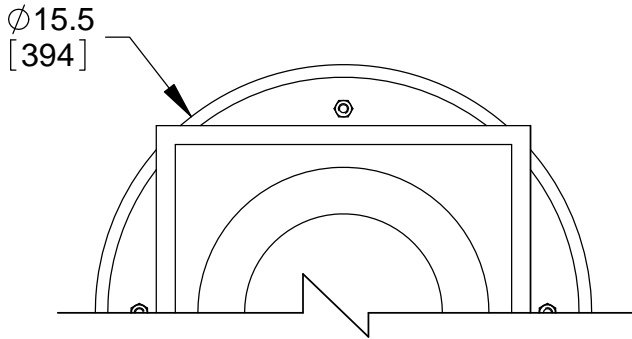
JOSAM SERIES 43670 FABRICATED STAINLESS STEEL (TYPE 304), 12" SQUARE TOP, ADJUSTABLE DEPTH, WITH NO-HUB BOTTOM OUTLET, LEVELING FEET, MEMBRANE CLAMP, AND PERFORATED SS GRATE (STANDARD).

SS DRAIN

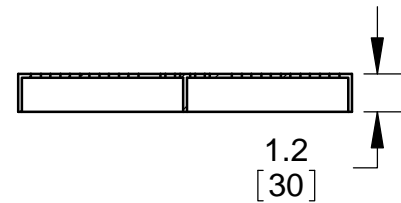
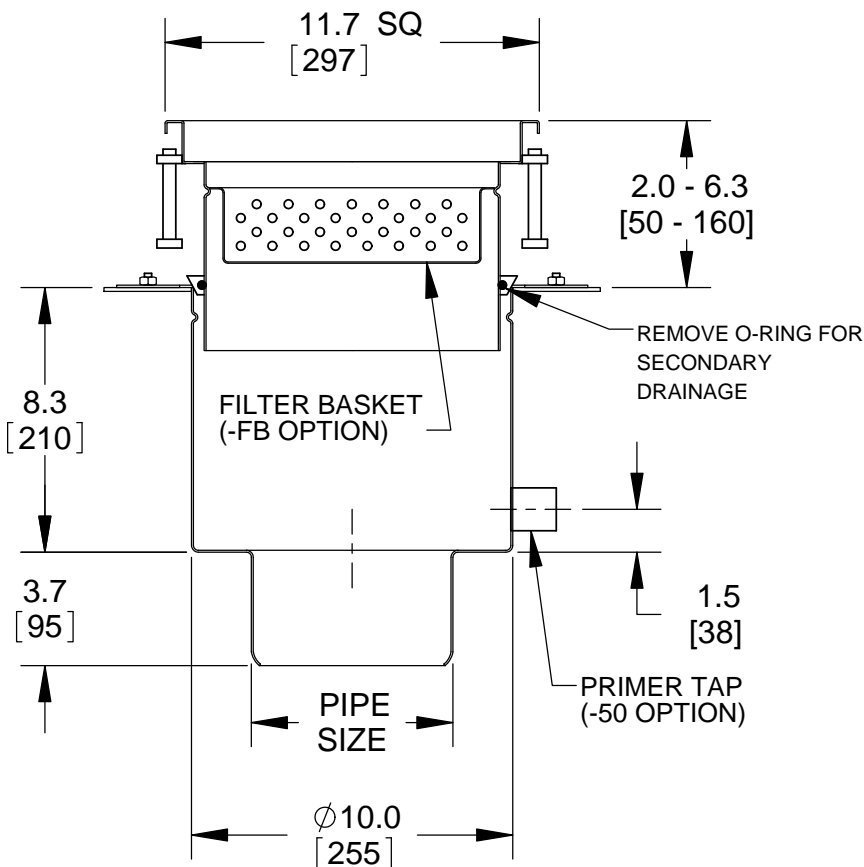
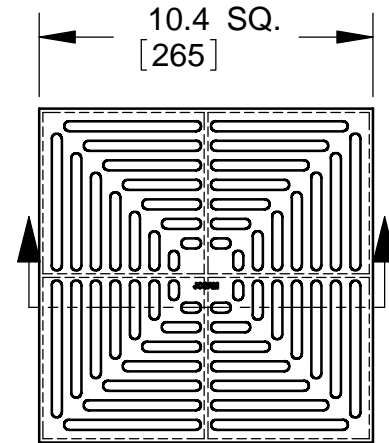
12" SQUARE TOP, ADJUSTABLE

SERIES

43670



STANDARD GRATE
 FREE AREA = 42.3 IN²
 MEETS ADA AND HEEL-PROOF REQS.



MODEL	PIPE SIZE
43673	3"
43674	4"
43676	6"

OPTIONS:

-FB	FILTER BASKET
-SB	SEDIMENT BUCKET
-VP	SECURED GRATE
-SO	SIDE OUTLET
-50	1/2" PRIMER TAP
-T	THREADED OUTLET
-BW	BUTT-WELD OUTLET (SPEC. 10, 40, 80)

-NG	NO GRATE
-HG	PERF. HALF GRATE
-3Q	PERF. 3/4 GRATE
-MG	MESH, ANTI-SLIP GRATE
-LG	LADDER GRATE
-SG	PERIMETER SLOT GRATE
-316	TYPE 316L MATERIAL

DATE OF LAST CHANGE: 02/17/16

DIMENSIONS ARE SUBJECT TO MANUFACTURERS TOLERANCES AND CHANGE WITHOUT NOTICE. WE CAN ASSUME NO RESPONSIBILITY FOR USE OF SUPERSEDED OR VOID DATA.

JOSAM COMPANY
 MICHIGAN CITY, INDIANA

NOTES