

GY Series

MODEL GYE24
WALL MOUNTED BOTTLE FILLER
WITH ANGLED BI-LEVEL DRINKING
FOUNTAINS

STANDARD FEATURES

- Bottle Filler and Drinking Fountain Adult ADA Compliant (when properly installed)
- Optionally Available with "Hands Free" Controls
- Extra Height Bottle Filler with Laminar Flow Spout
- Resistant to Sunlight, Heat, Moisture and wear
- 18 Gauge, Type 304 Stn Stl Drinking Fountain Bowls
- 12 Gauge, Heavy Duty Stainless Steel Construction with Corrosion and Scratch Resistant Finish
- Polished Stainless Steel, Anti-Rotation, Non-Squirt Bubbler
- Heavy Duty, Stainless Steel Access Covers
- 1/4" Thick Stainless Steel Mounting Plate
- Lead and Cyst Water Filter (N/A with -FRA option)
- 100-Mesh Inlet Strainer

SUGGESTED SPECIFICATIONS

Wall Mounted Round Bi-Level Bottle Filler with Drinking Fountain shall be Murdock model GYE24. Construction shall be 12 gauge, all stainless steel with 18 gauge type 304 stainless steel fountain bowls. Provide 1/4" thick stainless steel mounting plate to securely anchor unit to wall. Access Panels shall be secured with vandal-resistant stainless steel screws. Drinking Fountain shall be activated by a front mounted self-closing Pushbutton with Cartridge Valve Assembly, using less than 5 pounds of force to activate with an adjustable stream regulator controlling the water flow. Bubblers shall be stainless steel with non-squirt feature and operate on water pressure range of 20-105 PSIG. Extra height Bottle Filler shall be activated a Pneumatic Pushbutton using less than 5 lbs of force to activate and provide 1.0 GPM from Laminar Flow Spout. P-Trap shall be installer provided behind wall (Optional -PT P-Trap with access below fixture is available). Unit shall contain a 100-mesh Inlet Strainer, with lead and cyst Filter. Fountain shall comply with ANSI A117.1, Public Law 111-380 (NO-LEAD), CHSC 116875 and NSF/ANSI 61, Section 9. Fixture to meet ADA and ADA Reach requirements when mounted appropriately.

Complies with the following standards:



NSF/ANSI 61



Federal Public Law 111-380 (No Lead)



Model: GYE24-R Shown

"FOR INDOOR AND OUTDOOR USE"

MODEL:

(Must Specify)

- GYE24 Satin Stainless Finish (Shown)
- GYE25 Green Powder-Coated
- GYE26 Red Powder-Coated
- GYE27 Blue Powder-Coated

Custom color finishes available upon request

ADA DRINKING FOUNTAIN ORIENTATION

(Must Specify)

- L ADA Drinking Fountain Left Side (Opposite)
- R ADA Drinking Fountain Right Side (Shown)

OPTIONAL ACCESSORIES

(additional costs may be incurred)

- FRA3 Freeze Resistant Valve, Three Valves¹ (Less Filter & Sensor)
- LOGO Customer specified logo
- PIP Plug-In Power Supply 115VAC/9VDC Plug-In Transformer (In lieu of Battery Op-SOC Option)
- PT 1-1/4" OD P-Trap (Access Below Fixture)
- SOC Concealed Sensor Operation Drinking Fountain - Battery Operated Standard (N/A with -FRA3¹)
- SO Sensor Operated Bottle Filler - Battery Operated Standard (N/A with -FRA3¹)
- 316 Type 316 Stainless Steel Construction

Option Notes:

¹See separate option sheet



Member of U.S. Green Building Council



Recyclable Product



Water Conserving Product

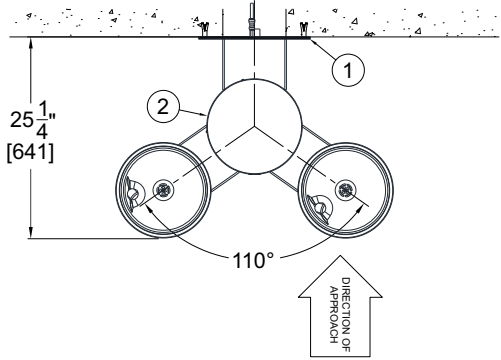
WARNING: Cancer and Reproductive Harm - www.P65Warnings.ca.gov

GY Series

MODEL GYE24

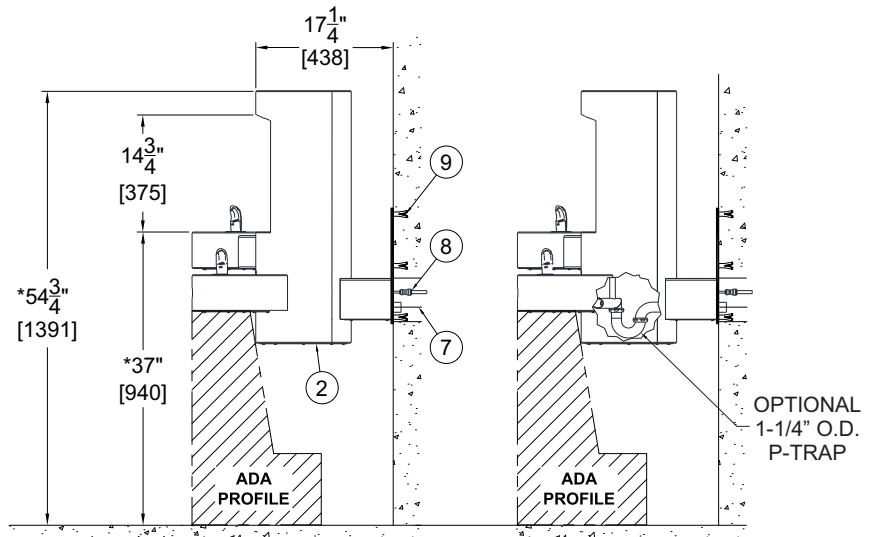
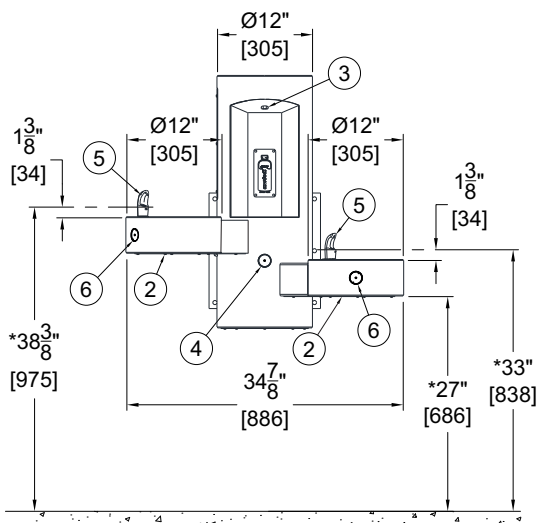
WALL MOUNTED BOTTLE FILLER WITH DRINKING FOUNTAINS

* Valve specifications:
Minimum/Maximum
Pressure 30 to 100 psi.



NOTES:

1. 1/4" THICK SS MOUNTING PLATE
2. REMOVABLE ACCESS PANELS
3. BOTTLE FILLER SPOUT
4. BOTTLE FILLER PUSHBUTTON WITH CARTRIDGE VALVE
5. DRINKING BUBBLER
6. DRINKING FOUNTAIN PUSHBUTTON WITH CARTRIDGE VALVE
7. 1-1/4" O.D. WASTE OUTLET FOR P-TRAP BEHIND WALL (STANDARD) P-TRAP PROVIDED BY OTHERS
8. 3/8" O.D. SUPPLY CONNECTION
9. INSTALLER PROVIDED WALL ANCHORS AND ANCHORING HARDWARE



GYE24-R SHOWN

GENERAL NOTES:

1. ALL DIMENSIONS ARE IN INCHES [MM].
- *2. DIMENSIONS SHOWN ARE FOR RECOMMENDED ADULT HEIGHT. ADJUST VERTICAL DIMENSIONS AS NECESSARY TO COMPLY WITH FEDERAL, STATE, & LOCAL CODES.
3. STOP VALVE NOT PROVIDED.

IMPORTANT: Refer to installation instructions for complete rough-in and technical data.
NOTE: Some options may change standard roughs.

Murdock Mfg.™ warrants that its products are free from defects in material or workmanship under normal use and service for a period of one year from date of shipment. Murdock's liability under this warranty shall be discharged solely by replacement or repair of defective material, provided Murdock™ is notified in writing within one year from date of shipment, F.O.B. Industry, California.

SELECTION SUMMARY & APPROVAL FOR MANUFACTURING	Model Number & Options _____	Quantity _____	All dimensions are subject to manufactures tolerance of plus or minus 1/2" nominal and subject to change without notice. Murdock assumes no responsibility for use of void or superseded data. Dimensions may change with the addition of optional accessories. Murdock Mfg.™, Member of Morris Group International™. Please visit www.murdockmfg.com for most current specifications.
	Company _____		
	Contact _____	Title _____	
	Signature (Approval for Manufacturing) _____	Date _____	