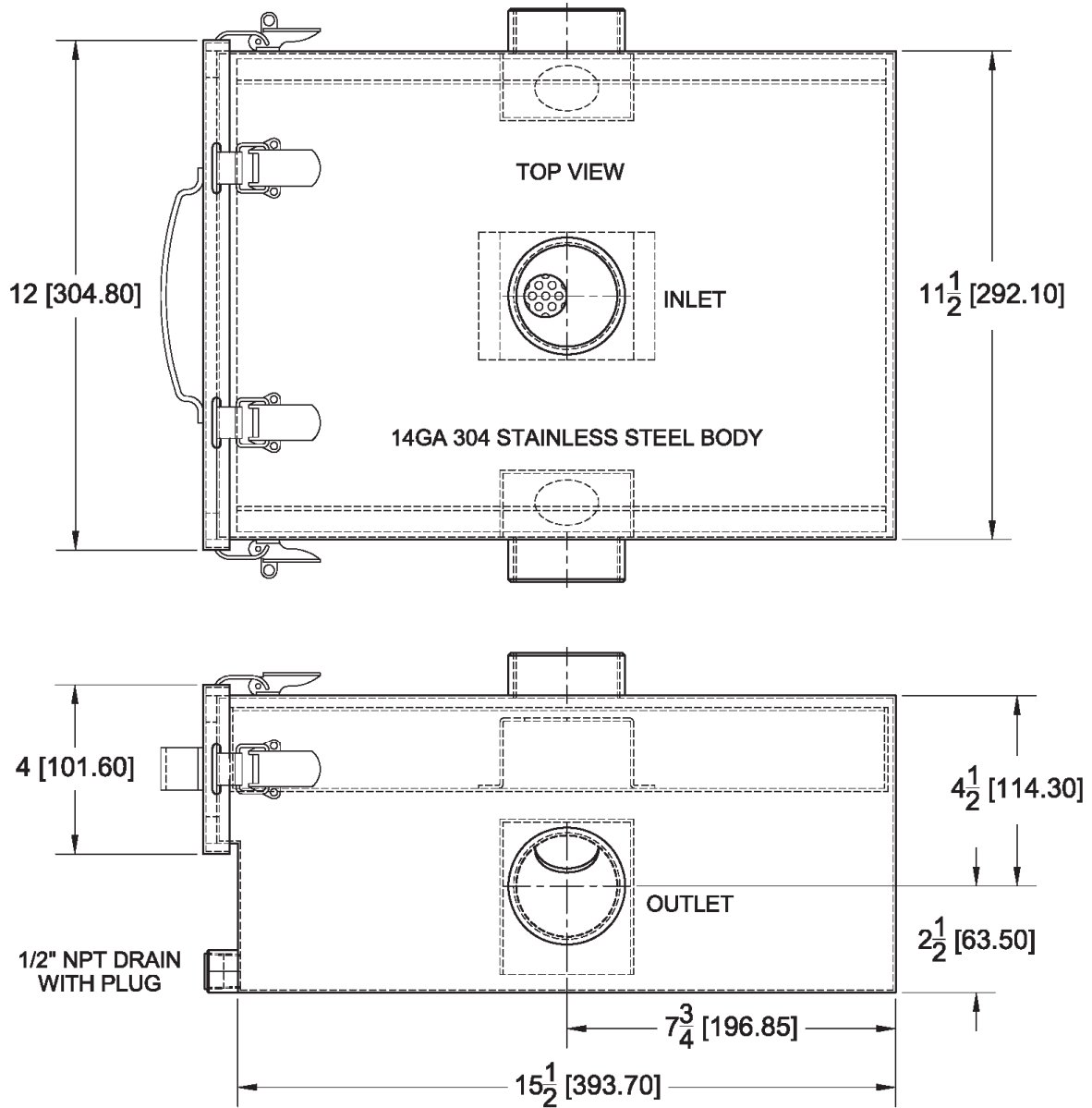


## 5790 Solids Interceptor

Project		Engineer		Mechanical	
---------	--	----------	--	------------	--



Inlet / Outlet	Regularly Furnished	Suffix Options		
		-VP Vandal Proof Lid	-174 Mesh Lined Bucket	-233 Adjustable Mount Brackets
2IPS				

**Regularly Furnished:** 14 GA Fabricated stainless steel solids interceptor with latched side cover, top inlet, removable basket, side outlets and drain port with plug.

Perforations—3/16" diameter staggered centers—51% open area.