



DRINKING FOUNTAIN

A481CUSP Series

MODEL A481400S-CUSP

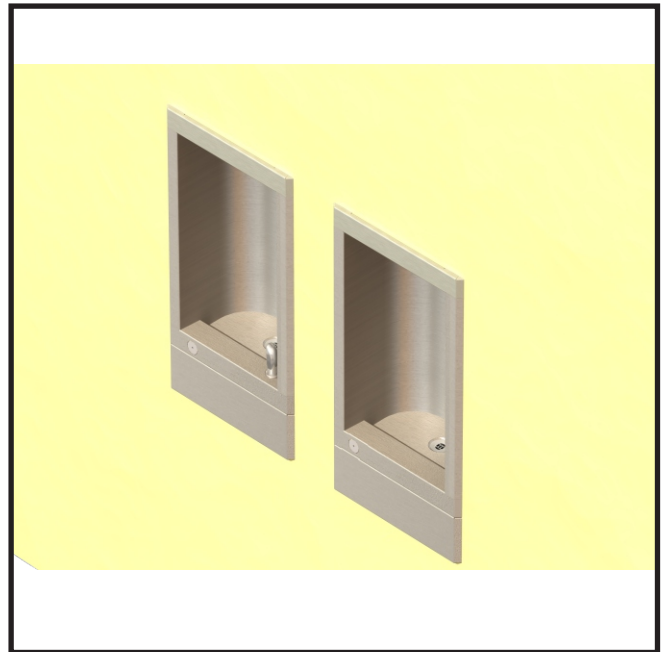
FULLY RECESSED, WALL MOUNTED
DRINKING FOUNTAIN & CUSPIDOR

STANDARD FEATURES

- 18 gage, 304 stainless steel cabinet
- 16 gage, galvanized mounting frame
- Polished Stainless Steel, anti-rotation, non-squirt bubbler
- 100 mesh inlet strainer
- Vandal resistant screws

SUGGESTED SPECIFICATIONS

Model A481400S-CUSP is a fully recessed, wall mounted drinking fountain and cuspidor made from 18 gage, 304 stainless steel with a brushed finish. Each unit shall be activated by a surface mounted, chrome plated brass front pushbutton using less than 5 pounds of force. Bubbler shall be Stainless Steel, with an integrally designed non-squirt feature and operates on a water pressure range of 20-105 psig. Unit is certified to ANSI A117.1, Public Law 111-380 (NO-LEAD), CHSC 116875 and NSF/ANSI 61, Section 9.



"INDOOR USE ONLY"

MODEL:

(Must Specify)

- | | |
|--|-------------------------|
| <input type="checkbox"/> A481400F-CUSP | Flexible Bubbler |
| <input type="checkbox"/> A481400S-CUSP | Stainless Steel Bubbler |

OPTIONS

(additional costs may be incurred)

- GF2 Glass filler
- HP High Polish

Complies with the following standards:



Member of
U.S. Green
Building
Council



Recyclable
Product



Water
Conserving
Product

WARNING: Cancer and Reproductive Harm - www.P65Warnings.ca.gov

MURDOCK MFG. • 15125 Proctor Avenue • City of Industry, CA 91746 USA
Phone 800-453-7465 or 626-333-2543 • Fax 626-855-4860 • www.murdockmfg.com

Member of
MORRIS GROUP
INTERNATIONAL

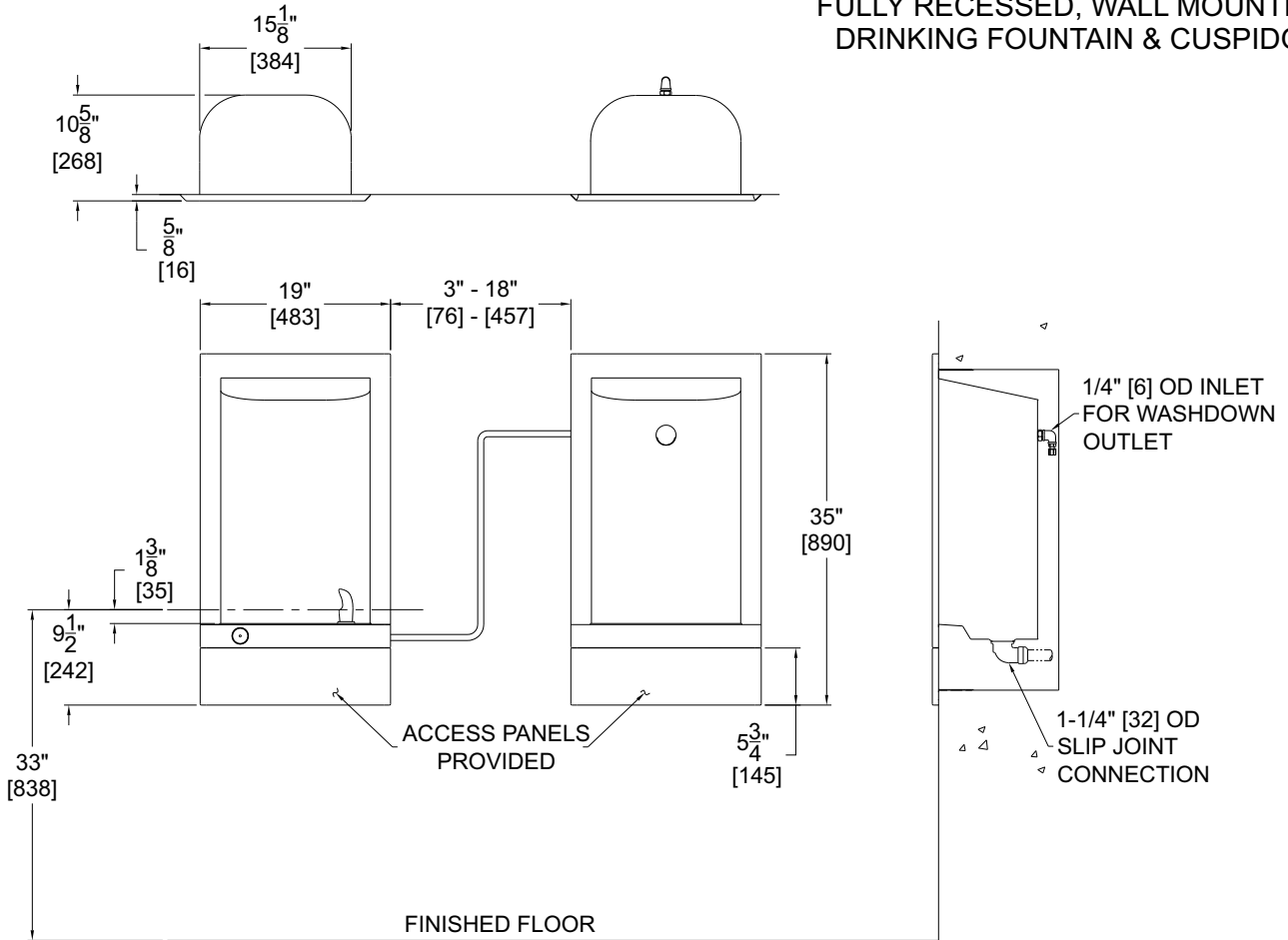


DRINKING FOUNTAIN

A481CUSP Series

MODEL A481400S-CUSP

FULLY RECESSED, WALL MOUNTED
DRINKING FOUNTAIN & CUSPIDOR



GENERAL NOTES:

1. ALL DIMENSIONS ARE IN INCHES [MM].
- *2. DIMENSIONS SHOWN ARE FOR RECOMMENDED ADULT HEIGHT.
ADJUST VERTICAL DIMENSIONS AS NECESSARY TO COMPLY WITH
FEDERAL, STATE, & LOCAL CODES.
3. STOP VALVE NOT PROVIDED.

Murdock Mfg.™ warrants that its products are free from defects in material or workmanship under normal use and service for a period of one year from date of shipment. Murdock's liability under this warranty shall be discharged solely by replacement or repair of defective material, provided Murdock™ is notified in writing within one year from date of shipment, F.O.B. Industry, California.

SELECTION SUMMARY & APPROVAL FOR MANUFACTURING	Model Number & Options _____	Quantity _____	All dimensions are subject to manufactures tolerance of plus or minus 1/2" nominal and subject to change without notice. Murdock assumes no responsibility for use of void or superseded data. Dimensions may change with the addition of optional accessories. Murdock Mfg.™, Member of Morris Group International™. Please visit www.murdockmfg.com for most current specifications.
	Company _____		
	Contact _____	Title _____	
	Signature (Approval for Manufacturing) _____	Date _____	

MURDOCK MFG. • 15125 Proctor Avenue • City of Industry, CA 91746 USA
Phone 800-453-7465 or 626-333-2543 • Fax 626-855-4860 • www.murdockmfg.com

