

Location: _____

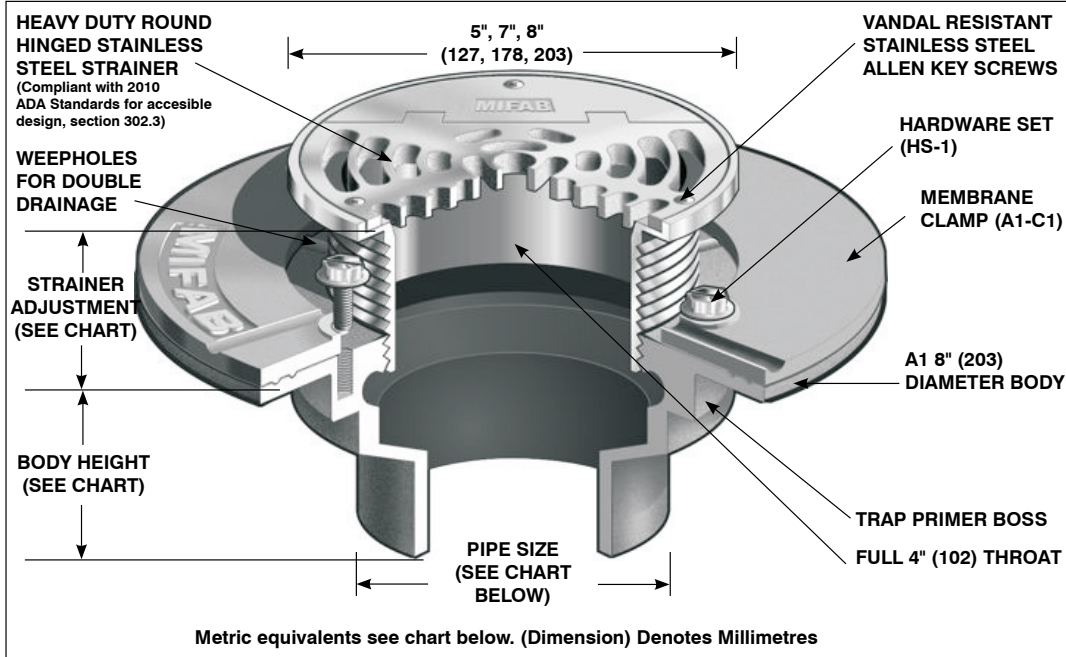


F1100-C-HG

FLOOR DRAIN WITH ROUND HINGED STRAINER FOR MEMBRANE FLOOR AREAS

Specification: MIFAB® Series F1100-C-(*)HG-3 (* specify strainer diameter) lacquered cast iron floor drain with anchor flange, cast iron membrane clamp with primary and secondary weepholes for waterproofing membrane, and hinged heavy duty, polished stainless steel strainer with vandal resistant stainless steel allen key screws. (For non-membrane floors, delete -C from Series number).

Function: Used in showers, kitchens, restrooms and other membrane finished areas. Hinged grate ensures that grate is not lost during maintenance. Round adjustable stainless steel hinged strainer is used for all types of poured finished floors. Strainer will not dish or corrode and is foot friendly.



PARTS:



A1 BODY



(HG*-3)
(*) Denotes Strainer Size



A1-C1



HS-1

F1100-C-HG Series meets ANSI-ASME floor drain standard A112.6.3-2001

STRAINER SIZE	STRAINER ADJUSTMENT		ANSI/ASME RATING		PIPE SIZE	BODY HEIGHT				
			FREE AREA	LOAD RATING LBS. S.S. (-3)		NO HUB (STANDARD)	PUSH ON (P)	THREADED (T)	INSIDE CAULK (X)	PVC/ABS (-30)/(-31)
	MIN	MAX								
5" (127)	1/2" (13)	1 1/2" (38)	8 in ² (5800 ²)	5000 to 7499	2" (51)	3" (76)	3 3/8" (86)	2 1/4" (57)	3 3/4" (95)	2 15/16" (75)
7" (178)	9/16" (14)	1 9/16" (40)	12 in ² (7700 ²)	5000 to 7499	3" (76)	3" (76)	3 3/8" (86)	2 5/8" (67)	3 3/4" (95)	3 3/4" (95)
8" (203)	11/16" (40)	2 1/4" (57)	18 in ² (11600 ²)	5000 to 7499	4" (102)	3" (76)	3 3/8" (86)	2 5/8" (67)	3 3/4" (95)	3 3/4" (95)
					5" (127)	3" (76)	--	2 5/8" (67)	3 3/4" (95)	--
					6" (152)	3 1/4" (83)	6 1/2" (165)	--	--	--

SUFFIX	OPTIONAL VARIATIONS
-3	Stainless steel strainer
-5	Sediment bucket
-6	Security screws (T-20 Torx & pin)
-7	1/2" trap seal primer connection
-8	Backwater valve (2", 3", 4")
-11	Acid resistant epoxy coated body
-13	Galvanized body
-15	Extension
-21	Secondary flat stainless steel strainer (2", 3", 4")
-28	Stainless steel body (Type 304)
-30	PVC socket connection body
-31	ABS socket connection body
-34	Closure plug
-40	Underdeck clamp
-41	Sump receiver
-90	Threaded side outlet (2", 3", 4") (cast iron only)

SUFFIX	OPTIONAL VARIATIONS
-90NH	No hub side outlet (2", 3", 4") (cast iron only)
-95	Client logo
-BA	Buy American Act compliant product
-C2	High rough-in membrane clamp (min. 1 9/16" (40))
-F4	4" Round funnel
-F6	6" Round funnel
(Standard)	No hub outlet
-G	Oval 4" x 9" funnel
-J	3" x 1" funnel
-MG	MI-GARD Floor Drain Trap Sealer (2", 3" or 4")
P	Push on outlet
-PA	Pennsylvania Steel Act compliant product
T	Threaded outlet (2", 3", 4")
X	Inside caulk outlet
-Z	Extended wide elastomeric flange

CALIFORNIA PROPOSITION 65 WARNING. This product contains chemicals known to the State of California to cause cancer and birth defects or other reproductive harm.

Job Name: _____ Page No: _____

Section No: _____ Contractor: _____

Schedule No: _____ Purchase Order No: _____