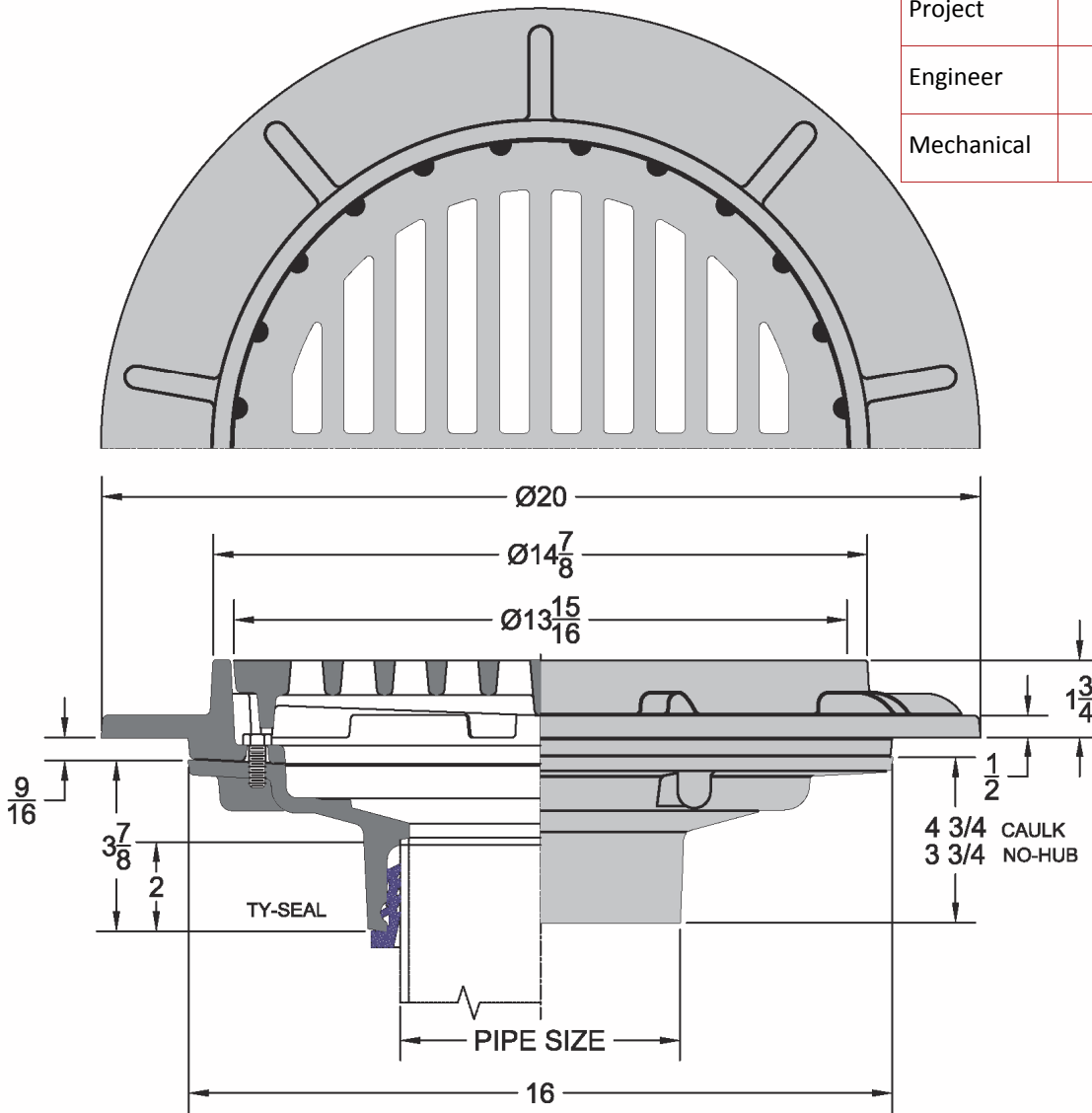


1407 15" Diameter, Special Duty, Shallow Sump Floor & Area Drain

Project	
Engineer	
Mechanical	



1407	-1 Cast Iron Body with Satin Finish Nickel Bronze Top	-2 Cast Iron Body with Satin Finish Bronze Top	-12 Cast Iron Body with Ductile Iron Top
•			
Grate Free Area (Sq.In.)	42.7	42.7	63.6

Suffix Options		
Suffix	Description	•
-ARC	Acid Resistant Coating	
-TSD	Trap Seal Device (See Model 4405)	
-VP	Vandal Proof Top	
-8	Secondary Strainer	
-11	Heel Proof Grate (Free Area—54.4 Sq. In.)	
-23	3" Grate Riser	
-27	Sediment Bucket	
-31	Backwater Valve (2", 3", 4")	
-39	Galvanized Cast Iron	

Regularly Furnished: Cast iron floor & area drain with flange, integral clamping collar, seepage openings, 1/2" primer tap with plug, & special duty grate.

Outlet Variations		
Type	Designation	•
Inside Caulk	3IC,4IC,6IC,8IC	
No-Hub	3NH,4NH,6NH,8NH,10NH	
Push On Gasket	2TY,3TY,4TY,6TY(CI),6TX(PVC)	

*Dimensions vary from illustration