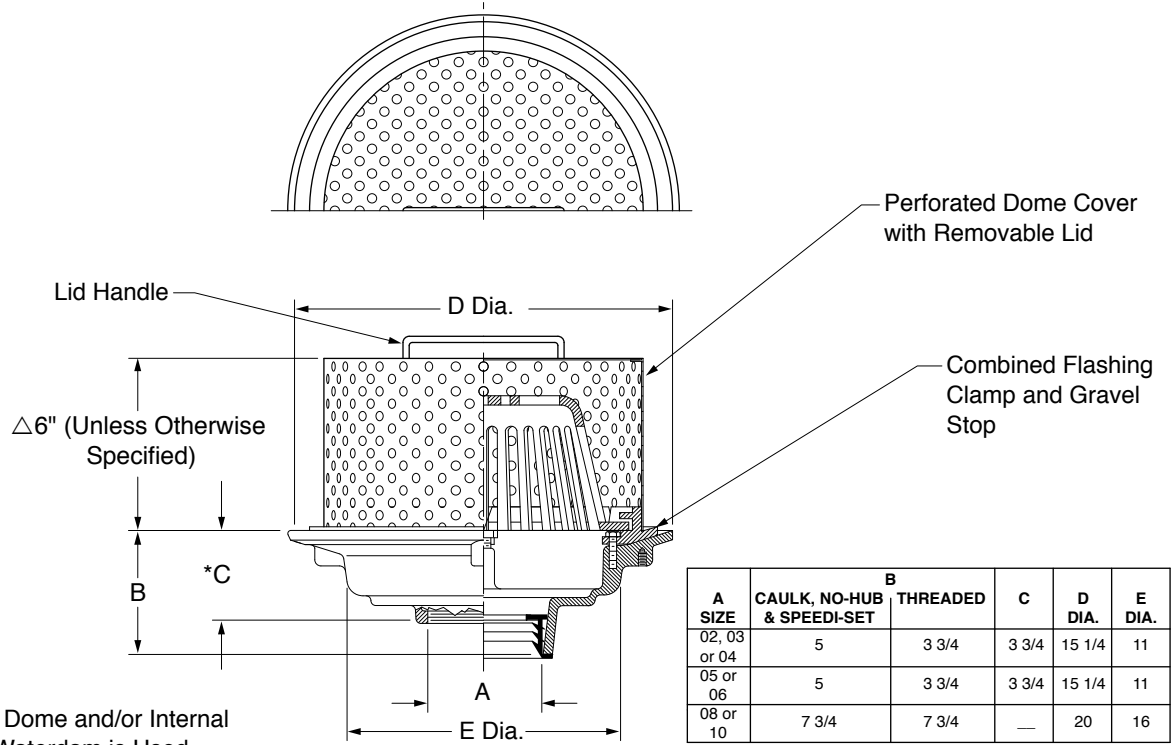


# SPECIAL PURPOSE PLANTER DRAIN

## GREEN ROOF AND PLANTER LOW PROFILE PERFORATED DOME COVER WITH REMOVABLE LID

**FUNCTION:** Used as a roof/planter drain. Low profile perforated dome cover allows ample free area for high volume drainage. Dome cover has removable lid with handle for inspecting and cleaning out drain sump.



△ NOTE: 6" Min. Dome and/or Internal (standpipe) Waterdam is Used.

\* This Dimension to Internal Stop of Speedi-Set Gasket.

- Fig. 1937Y..... NO HUB OUTLET
- Fig. 1937C..... CAULK OUTLET

**REGULARLY FURNISHED:**

Duco Cast Iron body, Combined Flashing Clamp and Gravel Stop, Polyethylene Dome with Perforated Stainless Steel Dome Cover with Removable Lid.

**VARIATIONS:**

- L Speedi-Set Service Weight Outlet Conn. (02, 03, and 04 Sizes Only)
- LXH Speedi-Set Extra Heavy Duty Outlet Conn. (02, 03, and 04 Sizes Only)
- Roof Deck Plate -RDP
- Extension (Specify Height) -E
- Adjustable Extension -AE
- Vandal Proof Dome Cover -U
- Internal Waterdam Standpipe -SP2, -SP3 or -SP4

**OPTIONAL MATERIALS:**

- Aluminum Dome -AD
- Cast Iron Dome -CID
- Galvanized Cast Iron Dome -CIDG
- Galvanized Cast Iron Body & Collar -G
- Rough Bronze Dome -RBD
- Stainless Steel Mesh Covered Dome (When Spec.) -SSM
- All Type 304 Stainless Steel -304SS
- All Type 316 Stainless Steel -316SS

DRAWING NUMBER 1937  
 SCALE: NONE  
 DATE: 11-7-12  
 APPROVED BY: TWK  
 CHECKED BY: TK  
 DRAWN BY: TBW  
 DIMENSIONS ARE SUBJECT TO MANUFACTURERS TOLERANCE AND CHANGE WITHOUT NOTICE

FIGURE NUMBER	A	7-23-18	Revised Variations	TBW	TWK	WEIGHT POUNDS	VOLUME CUBIC FEET	FIGURE NUMBER
REV.	DATE	DESCRIPTION	BY	CKD. BY				<b>1937</b>