



OUTDOOR BOTTLE FILLERS

M-OBR4-GRD Series MODEL M-OBR4-GRD

RECESSED OUTDOOR BOTTLE FILLER
WITH BI-LEVEL DRINKING FOUNTAIN

STANDARD FEATURES

- 115v Plug-in transformer
- Pushbutton and hands free sensor operated bottle filler
- 100 mesh inlet strainer
- Laminar flow water supply
- 1.0 GPM fill rate
- Lead-free
- Lead and cyst filter for bottle filler
- Bottle filler meets ADA forward and side reach requirements
- Vandal-resistant design
- Gasketed door for weather resistance
- ADA Complaint (when properly installed)
- Resistant to sunlight, heat, moisture and wear
- 18 gage, 304 stainless steel bowl
- 12 gage, heavy duty stainless steel arm, corrosion and scratch resistant
- Polished Stainless steel, anti-rotation non-squirt bubbler

SUGGESTED SPECIFICATIONS

Model M-OBR4-GRD is a recessed outdoor bottle filler. Housing has a slim and trim look that blends into your environment. Unit also has a strong vandal-resistant design for years of trouble-free service. Bottle filler shall be activated by a 9 volt sensor or a pushbutton as standard. Fixture has a self-closing pushbutton, needing less than 5 pounds of force which shall activate the internally mounted valve. When installed properly, the bottle filler complies with ADA forward and side reach requirements. Bottle filler is fabricated of type 304 stainless steel. Unit includes GRD series bi-level barrier free drinking fountains. Bottle filler cabinets and drinking fountains shall be either stainless steel with powder coat or satin finish. Unit complies with ANSI A117.1, Public Law 111-380 (NO-LEAD), CHSC 116875 and NSF/ANSI 61, Section 9. Fixture meets ADA, ADA Standing Person and ADA Child requirements when mounted appropriately.



MODEL:

(Must Specify)

- M-OBR4-GRD Satin stainless finish (Shown)
- M-OBR5-GRD Green powder-coated
- M-OBR6-GRD Red powder-coated
- M-OBR7-GRD Blue powder-coated

Custom color finishes available upon request

OPTIONS

(additional costs may be incurred)

- BAT Battery operated (N/A with bottle counter)
- BCD Bottle counter display
- FRA3 Freeze resistant valve system, 3 valves (Less filter and sensor)
- LOGO Customer specified logo
- MO Bottle filler operated by pushbutton only (Standard with freeze-resistant valves)
- SK7 Cane Skirt
- A9100080-A 8 GPH remote water chiller (Locate on interior wall, not exposed to weather)

Complies with the following standards:



Member of U.S. Green Building Council



Recyclable Product



Water Conserving Product

⚠ WARNING: Cancer and Reproductive Harm - www.P65Warnings.ca.gov

MURDOCK MFG. • 15125 Proctor Avenue • City of Industry, CA 91746 USA
Phone 800-453-7465 or 626-333-2543 • Fax 626-855-4860 • www.murdockmfg.com

Member of MORRIS GROUP INTERNATIONAL

MOBR4-GRD

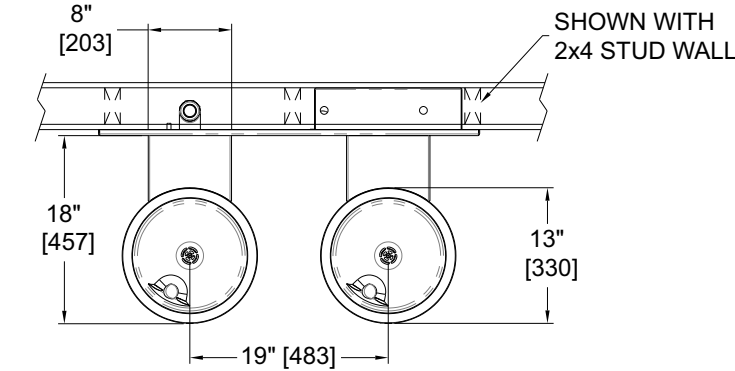
Revised: 03/05/19



OUTDOOR BOTTLE FILLERS

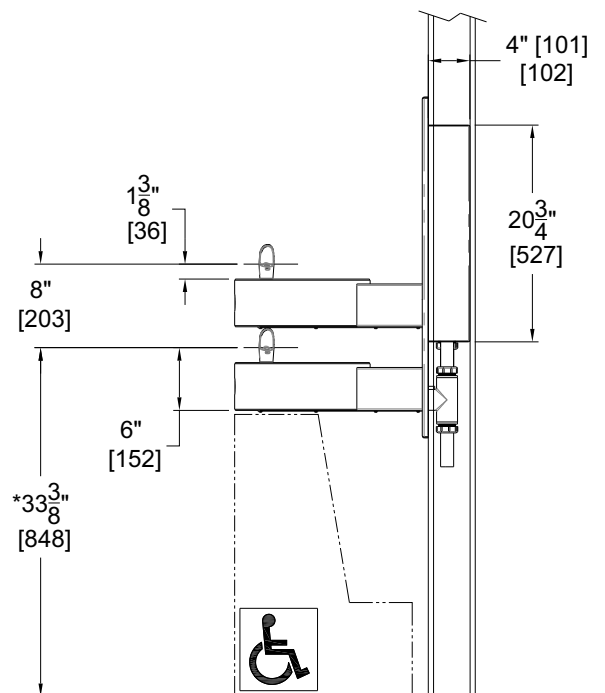
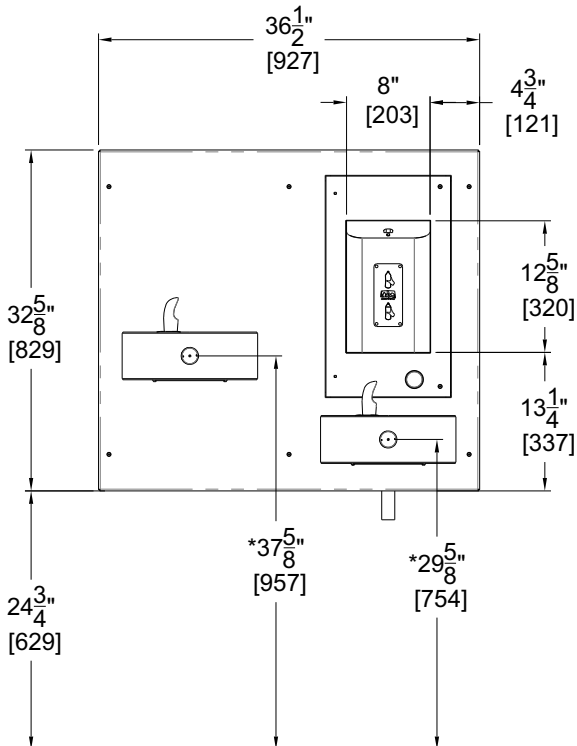
M-OBR4-GRD Series MODEL M-OBR4-GRD

RECESSED OUTDOOR BOTTLE FILLER
WITH BI-LEVEL DRINKING FOUNTAIN



GENERAL NOTES:

1. ALL DIMENSIONS ARE IN INCHES [MM]
- *2. DIMENSIONS SHOWN ARE FOR RECOMMENDED ADULT HEIGHT. ADJUST VERTICAL DIMENSIONS AS NECESSARY TO COMPLY WITH FEDERAL, STATE & LOCAL CODES
3. STOP VALVE NOT PROVIDED



Murdock Mfg.™ warrants that its products are free from defects in material or workmanship under normal use and service for a period of one year from date of shipment. Murdock's liability under this warranty shall be discharged solely by replacement or repair of defective material, provided Murdock™ is notified in writing within one year from date of shipment, F.O.B. Industry, California.

SELECTION SUMMARY & APPROVAL FOR MANUFACTURING	Model Number & Options _____	Quantity _____	<p>All dimensions are subject to manufactures tolerance of plus or minus 1/2" nominal and subject to change without notice. Murdock assumes no responsibility for use of void or superseded data. Dimensions may change with the addition of optional accessories. Murdock Mfg.™, Member of Morris Group International™. Please visit www.murdockmfg.com for most current specifications.</p>
	Company _____		
	Contact _____	Title _____	
	Signature (Approval for Manufacturing) _____	Date _____	

MURDOCK MFG. • 15125 Proctor Avenue • City of Industry, CA 91746 USA
 Phone 800-453-7465 or 626-333-2543 • Fax 626-855-4860 • www.murdockmfg.com

Member of **MORRIS GROUP INTERNATIONAL**