

Location: _____

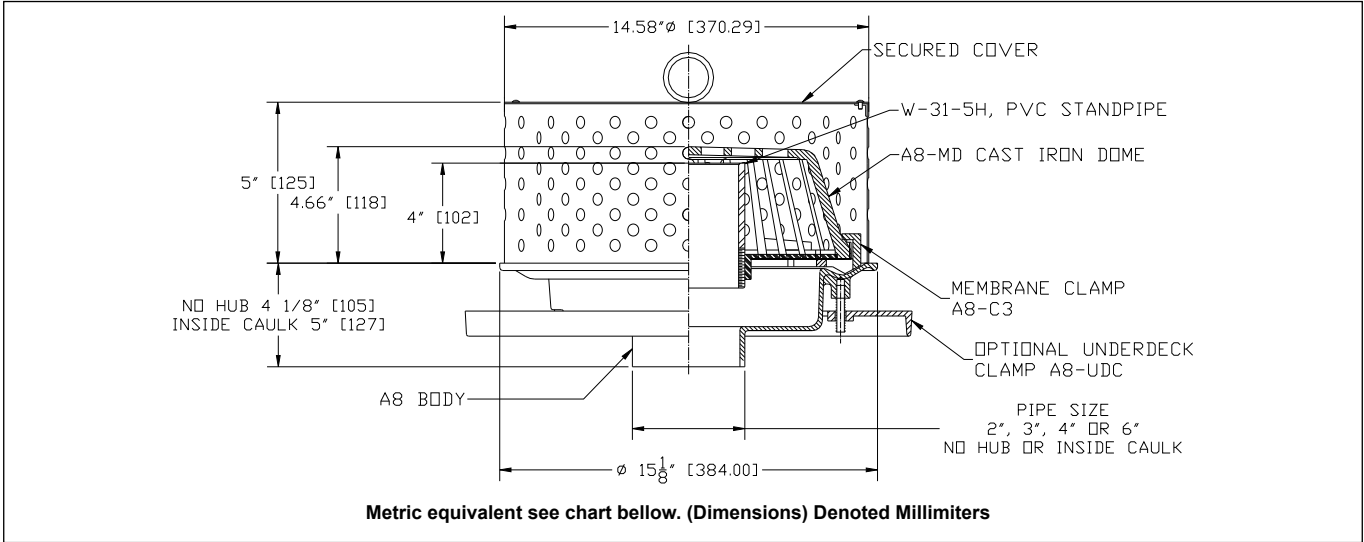


R1200-JD-M-G5H-W31H4

PLANTING AREA DRAIN

Specification: MIFAB® Series R1200-JD-M-G5H-W31H4 lacquered cast iron large planting area drain with anchor flange, cast iron water proofing membrane clamp ring, cast iron dome with PVC standpipe and stainless steel ballast guard with solid secured cover.

Function: Used to drain water that accumulates on green roof applications. The perforated stainless steel ballast guard prevents vines from entering the drain line.



PIPE SIZE	A8 BODY HEIGHT	
	NO HUB (STANDARD)	INSIDE CAULK (X)
2" (51)	4 1/8" (104)	5.05" (127)
3" (76)	4 1/8" (104)	5.05" (127)
4" (102)	4 1/8" (104)	5.05" (127)
5" (127)	4 1/8" (104)	5.05" (127)
6" (152)	4 1/8" (104)	5.05" (127)

Suffix	Description
-6	Vandal proof dome
-11	Acid resistant epoxy coated body, membrane clamp & dome
-12	Galvanized metal dome
-12A	Galvanized body and membrane clamp
-12B	Galvanized metal dome and membrane clamp
-13	Galvanized body, metal dome and membrane clamp
-28	Stainless steel body (Type 304)
-83	Stainless steel mesh screen over dome (A2-SSD)
-B	Sump receiver (A8-B8)
-BA	Buy America Act compliant product
-E	Adjustable extension
-EG	Galvanized adjustable extension
-G(*H)	(* indicates total custom height of ballast guard required
-PA	Pennsylvania Steel Act compliant product
-P(*L)	(* indicates total custom length of PVC standpipe required
-R	2" external water dam (A8-WD)
-U	Underdeck clamp (A8-UDC)
-V	Fixed extension (2", 3", 4") (A8-V2, A8-V3, A8-V4)
-VG	Galvanized fixed extension (2",3",4")
-W-1	Waterproofing flange (A8-W-1)
-W-2	2" internal water dam (2" high x 4" diameter)(A8-C3-W and W-31)
-W3	3" internal water dam 3" high x 4" diameter) (A8-C3-W and W-31)
X	Inside caulk outlet, (2", 3", 4", 5" or 6")
-Z	Extended wide flange on body (20"Dia. x 1/4 thick)

CALIFORNIA PROPOSITION 65 WARNING. This product contains chemicals known to the State of California to cause cancer and birth defects or other reproductive harm.

Job Name: _____ Page No: _____
 Section No: _____ Contractor: _____
 Schedule No: _____ Purchase Order No: _____