



**AquaMotionSmart™ Einstein Series™  
ECM Circulator**

**Wet-rotor,  
maintenance free,  
fixed and variable  
Speed ECM  
Circulators**  
  
**AM55-FVL  
AM55-SFVL**

<b>Submittal Data Sheet SD103</b>	<b>EFFECTIVE 12/17/15</b>
---	-------------------------------

SUBMITTAL DATA APPROVAL	
For: _____	_____
Job: _____	_____
Date Submitted: _____	By: _____
Date Approved: _____	By: _____
Model Number: _____	Quantity: _____
Model Number: _____	Quantity: _____
Model Number: _____	Quantity: _____
Model Number: _____	Quantity: _____



US DESIGN • US BUILT

## Materials of Construction

- Shaft, Radial Bearings.....Aluminum Oxide Ceramic
- Motor housing .....Aluminum
- Impeller.....Composite
- Pump housing (closed systems).....Cast Iron
- Pump housing (open systems), wear ring, bearing support, cartridge sleeve, rotor sleeve.....Stainless Steel
- Gaskets.....EP(Ethylene Propylene Rubber)

## Specifications

- Maximum Shut-off Head: 21 feet
- Maximum Flow: 20 gpm
- Maximum Operating Pressure: 145 psi (10 bar)
- Maximum Water Temp: 230°F (110°C)
- Minimum Water Temp: 40°F (5°C)
- Electrical specifications:
  - Voltage: 120V, 60 Hz Single phase
  - AMP Rating: 0.07 - 0.57A
  - Operating Power: 5W - 38W

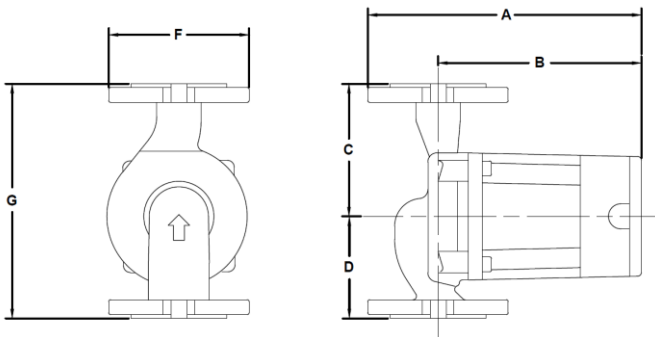
## Electrical Data

Model	Volts	Watts	Amps	Flanges
AM55-FVL	120	5-38	.07-.57	4 bolt
AM55-SFVL	120	5-38	.07-.57	4 bolt

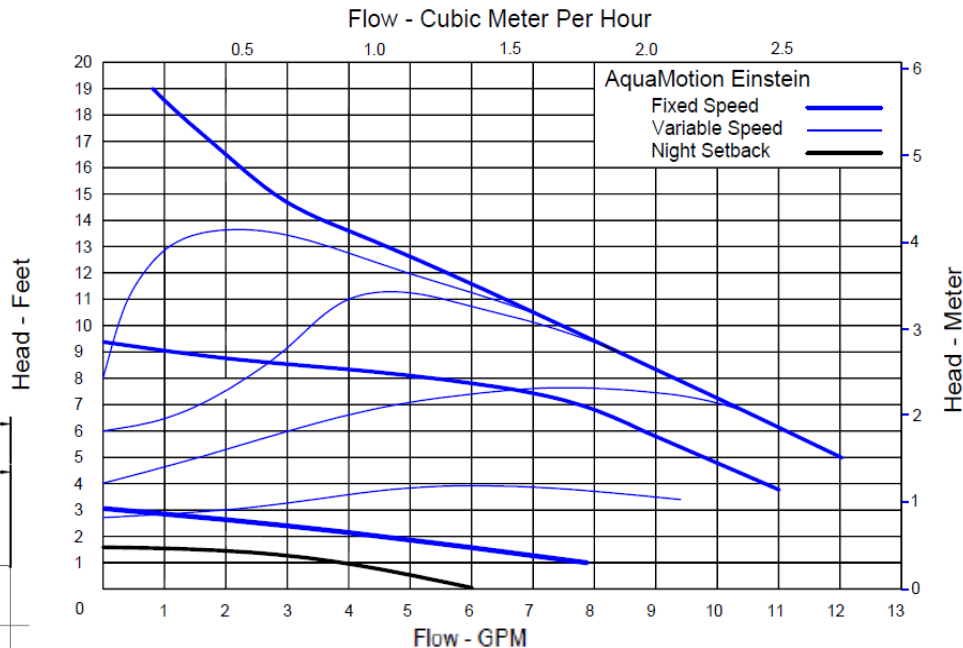
## Performance Data

Model	Head Range	Flow Range
AM55-FVL	0-21FT	0-20GPM
AM55-SFVL	0-21FT	0-20GPM

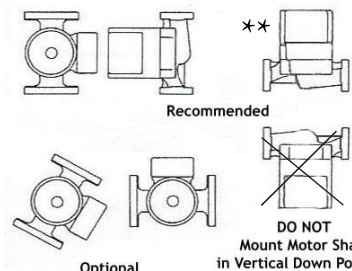
## AM55 - FVL Dimensions



Model	A		B		C		D		F		G		Ship Wt.	
	in.	mm	in.	mm	in.	mm	in.	mm	in.	mm	in.	mm	Lbs.	Kg
AM55-FVL, AM55-SFVL	7-1/4	184	5-1/2	140	3-1/2	89	2-3/4	70	3-7/8	98	6-1/4	156	6.6	3.0



## Mounting Positions



\*\*When the circulator is mounted in this position the system pressure must be 12 psi or more.

**For Indoor Use Only**