

**A172-UG Series / A172-UG-VR Series & A172-UG-SO Series**  
**Universal Bi-Level, Barrier Free, Wall Mounted Drinking Fountain**



**A172100F-UG**



**A172400S-UG-VR**



**A172100F-UG-SO**

A172100F-UG / A178400F-UG / A172100S-UG / A172400S-UG  
172100F-UG-VR / A172400F-UG-VR / A172100S-UG-VR / A172400S-UG-VR  
A172100F-UG-SO / A172400F-UG-SO / A172100S-UG-SO / A172400S-UG-SO

**TECHNICAL ASSISTANCE TOLL FREE TELEPHONE NUMBER:**

**1.800.591.9360**

Technical Assistance Fax: 1.626.855.4894



**NOTES TO INSTALLER:**

1. Please leave this documentation with the owner of the fixture when finished.
2. Please read this entire booklet before beginning the installation.
3. Check your installation for compliance with plumbing, electrical and other applicable codes.

**LIMITED WARRANTY - UNITED STATES & CANADA**

Murdock warrants that its products are free from defects in material or workmanship under normal use and service for a period of one year from date of original shipment or for 18 months after the date of shipment from the factory, whichever comes first. Murdock's liability under this warranty shall be discharged solely by replacement or repair of defective material, provided Murdock is notified in writing within one year from date of shipment, F.O.B. Industry, California.

This warranty does not cover installation or labor charges and does not apply to materials, which have been damaged by other causes such as mishandling or improper care or abnormal use. The repair or replacement of the defective materials shall constitute the sole remedy of the Buyer and the sole remedy of Murdock under this warranty. Murdock shall not be liable under any circumstances for incidental, consequential or direct charges caused by defects in the materials, or any delay in the repair or replacement thereof. This warranty is in lieu of all other warranties expressed or implied. Product maintenance instructions are issued with each unit and disregard or non-compliance with these instructions will constitute an abnormal use condition and void the warranty. Stainless steel must be protected on job site during construction and must be properly maintained after the water has been introduced into the water cooler or drinking fountain, or Murdock's limited warranty is void.

**LIMITED EXPORT WARRANTY - One year on parts only.**

Murdock assumes no responsibility for use of void or suspended data. © Copyright Murdock, City of Industry, CA Member of Morris Group International. Please visit [www.murdockmfg.com](http://www.murdockmfg.com) for most current specifications.

COMPLIES WITH  
**STANDARDS**



Federal Public Law 111-380 (No Lead)

Test rating conditions are compliant with ARI 1010.



Member of MORRIS GROUP INTERNATIONAL

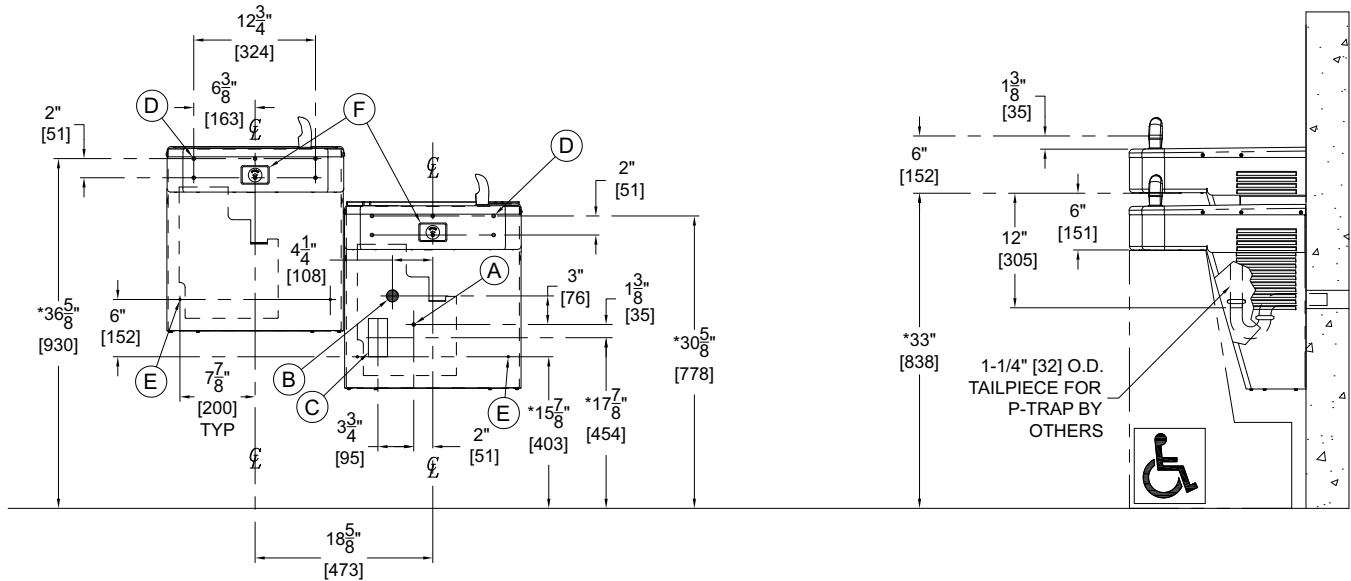
**MURDOCK**  
15125 Proctor Ave.  
City of Industry, CA  
91746 U.S.A.  
Phone 800-591-9360  
626-336-4561  
Fax 626-855-4894

[www.murdockmfg.com](http://www.murdockmfg.com)

**ROUGHING-IN AND DIMENSIONAL DRAWING**

Prior to roughing consult with local, state, and federal codes for proper mounting height.

**A172-UG SERIES UNIVERSAL BI-LEVEL DRINKING FOUNTAIN**  
(Standard Configuration Left Unit High with Right Unit Low)



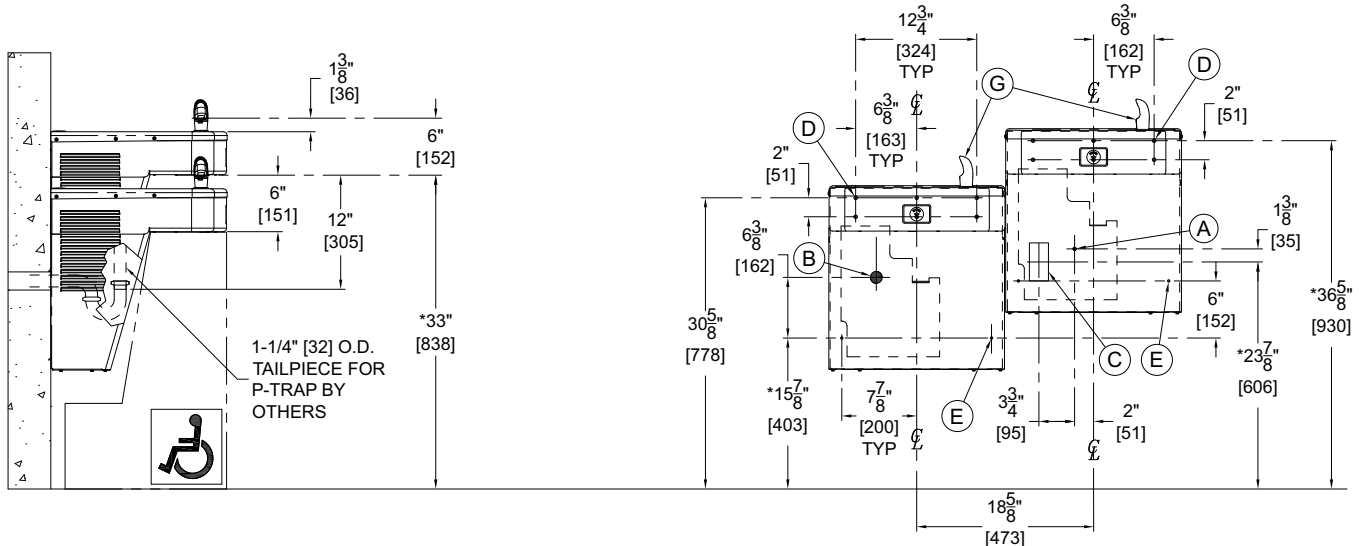
**GENERAL NOTES:**

1. ALL DIMENSIONS ARE IN INCHES [MM]
2. ALLOW 4 INCHES [102MM] MINIMUM CLEARANCE PER SIDE FOR VENTILATION
3. DIMENSIONS SHOWN ARE FOR ADA ADULT HEIGHT. ADJUST VERTICAL DIMENSIONS AS NECESSARY TO COMPLY WITH FEDERAL, STATE & LOCAL CODES
4. STOP VALVE, P-TRAP & ELECTRICAL OUTLET NOT SUPPLIED
5. IMPORTANT: COOLERS MUST BE ATTACHED TO WALL WITH APPROPRIATE ANCHOR SCREWS

- A. 3/8" O.D. SUPPLY INLET
- B. WASTE OUTLET FOR P-TRAP BY OTHERS FOR PROVIDED 1-1/4" O.D. TAILPIECE
- C. ELECTRICAL SERVICE ROUGH (IF REQUIRED)
- D. Ø3/8" HANGER BRACKET PUNCHING, 6 PLACES ON EACH FIXTURE FOR ANCHORING HARDWARE BY OTHERS
- E. Ø1/4" PUNCHING, 2 PLACES ON EACH FIXTURE FOR ANCHORING HARDWARE, BY OTHERS
- F. PUSHBUTTON ASSEMBLY OR SENSOR

**NOTES:** Adjust vertical dimensions as required to comply with federal, state, and local codes. Dimensions indicated are for ADA frontal approach installation. For Child ADA compliant parallel approach installation, decrease height of installation for spout to be 30" maximum above finished floor. Provide clear floor space as required. Adjust vertical dimensions as required to comply with federal, state, and local codes.

**A172UBL SERIES UNIVERSAL BI-LEVEL DRINKING FOUNTAIN**  
(Alternate Configuration Left Unit Low with Right Unit High)



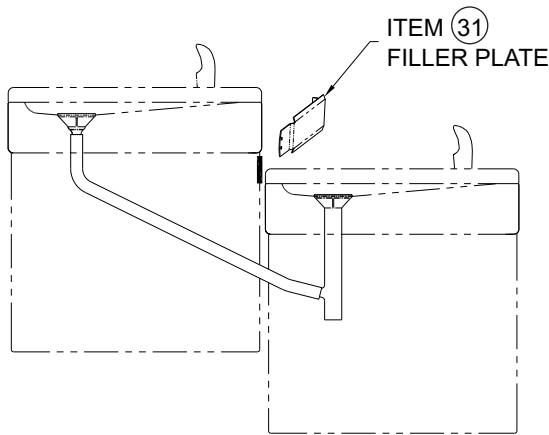
**GENERAL NOTES:**

1. ALL DIMENSIONS ARE IN INCHES [MM]
2. ALLOW 4 INCHES [102MM] MINIMUM CLEARANCE PER SIDE FOR VENTILATION
3. DIMENSIONS SHOWN ARE FOR ADA ADULT HEIGHT. ADJUST VERTICAL DIMENSIONS AS NECESSARY TO COMPLY WITH FEDERAL, STATE & LOCAL CODES
4. STOP VALVE, P-TRAP & ELECTRICAL OUTLET NOT SUPPLIED
5. IMPORTANT: COOLERS MUST BE ATTACHED TO WALL WITH APPROPRIATE ANCHOR SCREWS

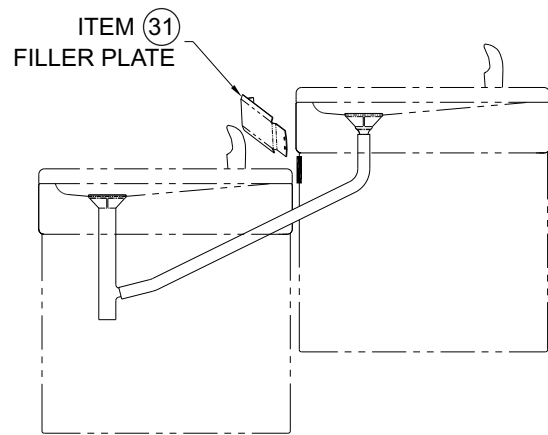
- A. 3/8" O.D. SUPPLY INLET
- B. WASTE OUTLET FOR P-TRAP BY OTHERS FOR PROVIDED 1-1/4" O.D. TAILPIECE
- C. ELECTRICAL SERVICE ROUGH (IF REQUIRED)
- D. Ø3/8" HANGER BRACKET PUNCHING, 6 PLACES ON EACH FIXTURE FOR ANCHORING HARDWARE BY OTHERS
- E. Ø1/4" PUNCHING, 2 PLACES ON EACH FIXTURE FOR ANCHORING HARDWARE, BY OTHERS
- F. PUSHBUTTON ASSEMBLY OR SENSOR

**IMPORTANT:**

1. Water supply is 3/8" Outside Diameter copper tube. Waste is 1-1/4" Outside Diameter.
2. Completely flush supply lines of all foreign debris before connecting to fixture. Water cooler designed to not affect taste, odor, color, or sediment. Optional water filter (WF1) is available should any of these problems arise from the water supply.
3. Do **NOT** solder copper tube when inserted into the coupler as damage to the o-ring will result.
4. All burrs must be removed from outside of cut tubes before inserting into coupler or other components.
5. **WARNING: Warranty is voided if installation** is not made following current Acorn Engineering installation instructions and if components are assembled to the fixture that is not approved by Acorn Engineering.
6. Fixture operates within water pressure range of 20 to 105 psig. Acorn Engineering will not warranty fixtures damaged when connected to supply lines with flow pressure lower than 20 psig or higher than 105 psig. A pressure regulator must be furnished by others on supply line if inlet pressure is greater than 105 psig.
7. Per UPC 609.10- *All building water supply systems in which quick acting valves are installed shall be provided with devices to absorb the hammer caused by high pressure resulting from the quick closing of the valve. These pressure-absorbing devices shall be approved mechanical devices. Water pressure-absorbing devices will be installed as close as possible to the quick closing valve.*



STANDARD WASTE CONFIGURATION



ALTERNATE WASTE CONFIGURATION

**INSTALLATION:**

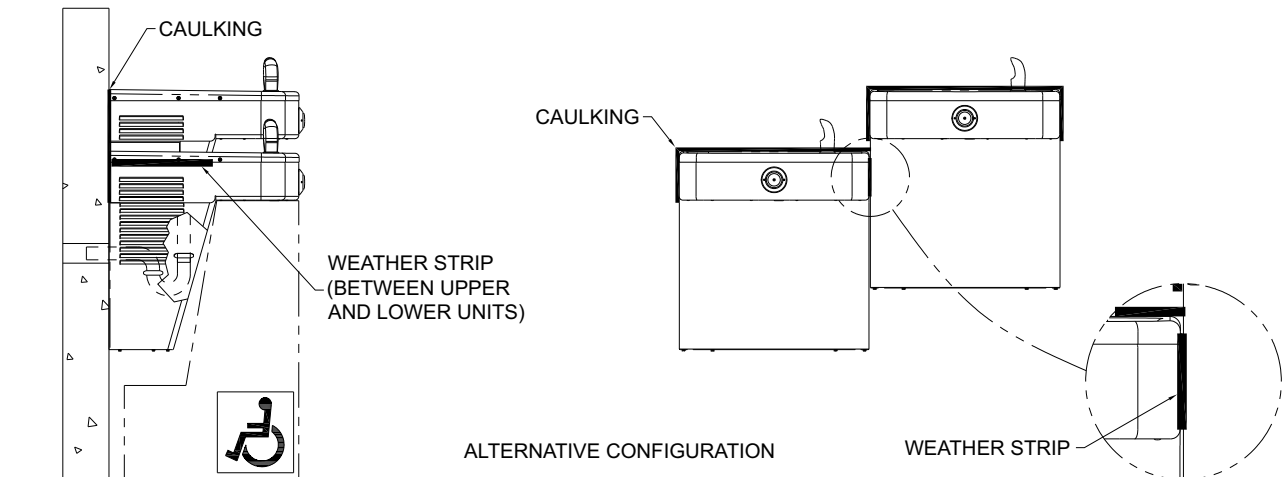
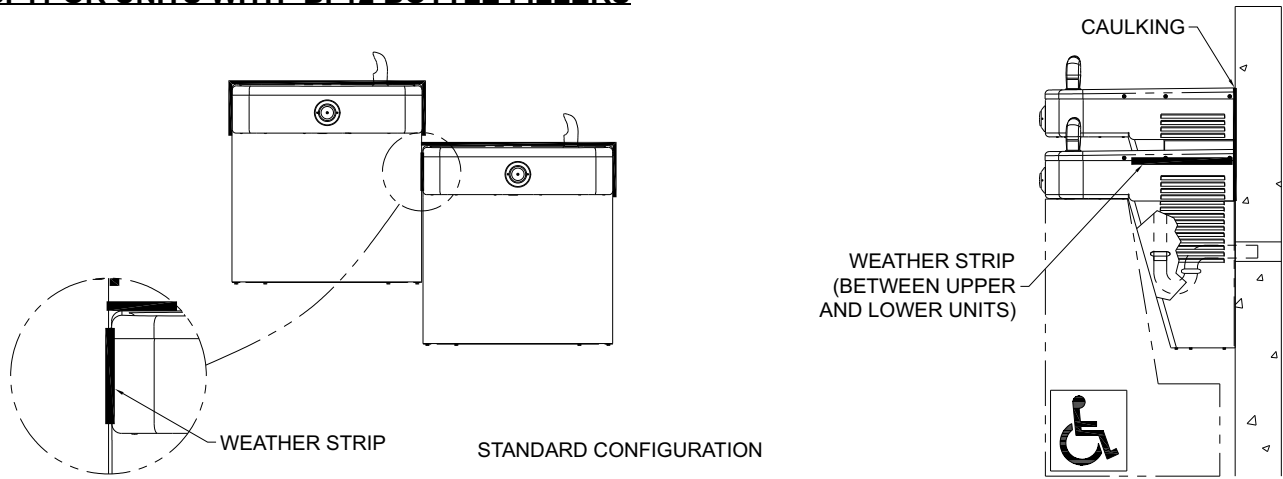
**Choose configuration; Remove and reinstall filler plate, item (31) and reverse drain assembly if required for alternate mounting configuration.**

1. Mount hanger bracket to wall horizontally level as shown in Roughing-In and Dimensional Drawing.  
**Note:** Adjust height of bracket if bubbler outlet height is required to vary from that shown.  
**WARNING:** Hanger Bracket **MUST** be securely anchored to wall with fasteners sufficient to support 3 times the weight of drinking fountain. If wall can not provide adequate support, order and install optional fixture support carrier.  
**NOTE:** If wall cannot provide adequate support, order and install optional fixture support carrier.  
**NOTE:** If replacing a **competitors Water Cooler** you may be able to use existing mounting bracket
2. Remove the bottom cover from the drinking fountain and set aside in a safe place. Save the screws in a secure location for re-use in later stages of installation.
3. Hang the drinking fountain on the hanger brackets ensuring the bracket tabs engage **AND** seat in the slots in the back of the drinking fountain. Verify drinking fountain are level, left to right **AND** front to back from bottom of unit. **NOTE:** The bubbler stream may be adversely affected if units are not square and level. Bottom of units and louvers should be used as reference to verify unit is square and plumb.
4. Anchor the drinking fountain to the wall at the lower mounting points in each back panel. Shim lower mounting points to level unit if necessary.
5. Thoroughly flush the 3/8" O.D. supply line and then connect drinking fountain to water supply angle stop valve (by others) with supplied 3/8" O.D. copper tube.
6. Use supplied flexible hose and clamps to connect waste tailpiece from the upper unit to the waste tailpiece of lower unit and then make up 1-1/4" O.D. p-trap waste connection. Waste p-trap by others.

**OUTDOOR INSTALLATION INSTRUCTIONS FOR A172-UG-VR SERIES ONLY:**

1. Caulk all around the basins where it contacts the wall and where aprons contact the wall as shown, to prevent rain water from leaking into the cabinet. **DO NOT CAULK THE REMOVABLE ACCESS COVER.** Add 1/4" thick piece of soft rubber weather strip (provided by installer) between the units as shown.

**NOTE: THIS PROCEDURE NOT APPLICABLE FOR A172-UG & A172-SO-UG OR UNITS WITH -BF11 OR UNITS WITH -BF12 BOTTLE FILLERS**



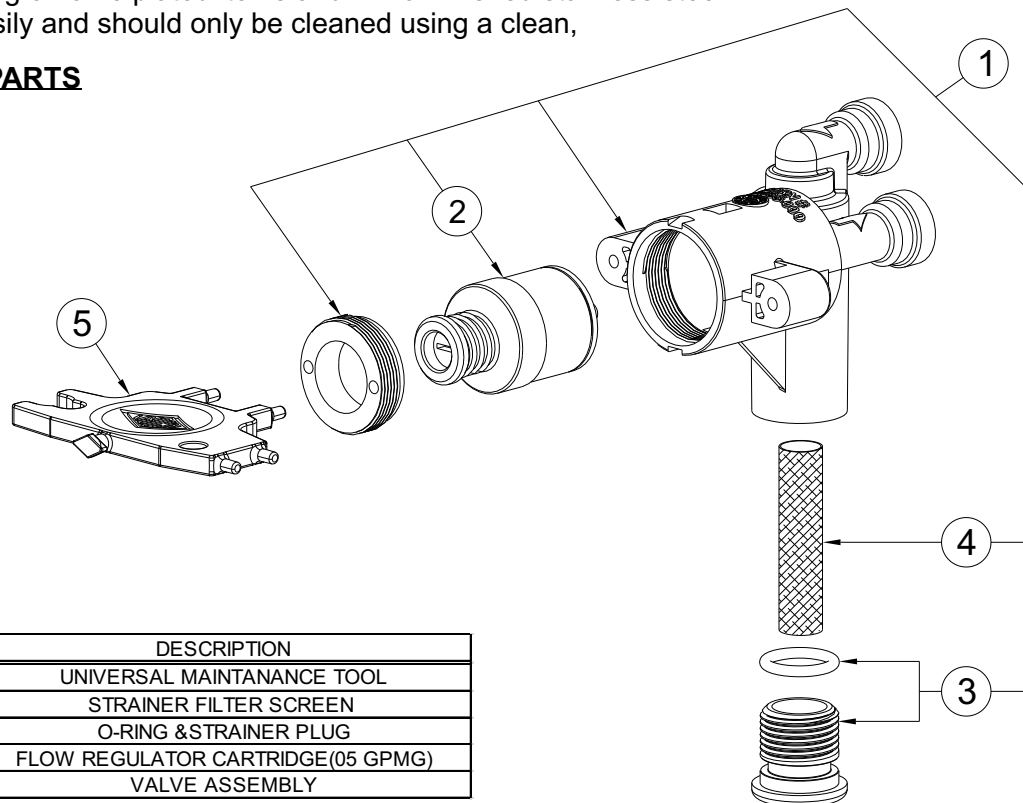
**START UP:**

1. Before connecting water supply and assembling bottom cover to drinking fountain, but after thoroughly flushing the supply line and connecting it to the fixture, turn on building water supply and check all connections for leaks.
2. Air within the drinking fountain system or the structure supply piping will cause an irregular bubbler outlet stream until purged out by incoming water. Covering the bubbler with a clean cup (or similar object) is recommended when first activating drinking fountain to prevent excessive splashing. Depress the pushbutton until steady water stream is achieved.
3. If water flow requires adjustment, insert a slotted narrow blade screwdriver in the hole centered on the underside of the fixture in the knee clearance area up to the flow regulator. Turning clockwise will increase flow and turning counterclockwise will decrease flow.
4. Recheck all water and drain connections with water flowing through system.
5. Assemble bottom cover to drinking fountain with screws furnished.

**CLEANING & MAINTENANCE GUIDE:**

1. Periodically remove access panels and clean out in-line strainer.
2. Do NOT use harsh chemicals, abrasive or petroleum based cleaners. Use of these will void the Acorn warranty.
3. Exterior panels can be cleaned using mild household detergents or warm, soapy water. Extra care must be used cleaning chrome plated items and mirror finished stainless steel. They can scratch easily and should only be cleaned using a clean,

**CARTRIDGE VALVE PARTS  
BREAKDOWN**

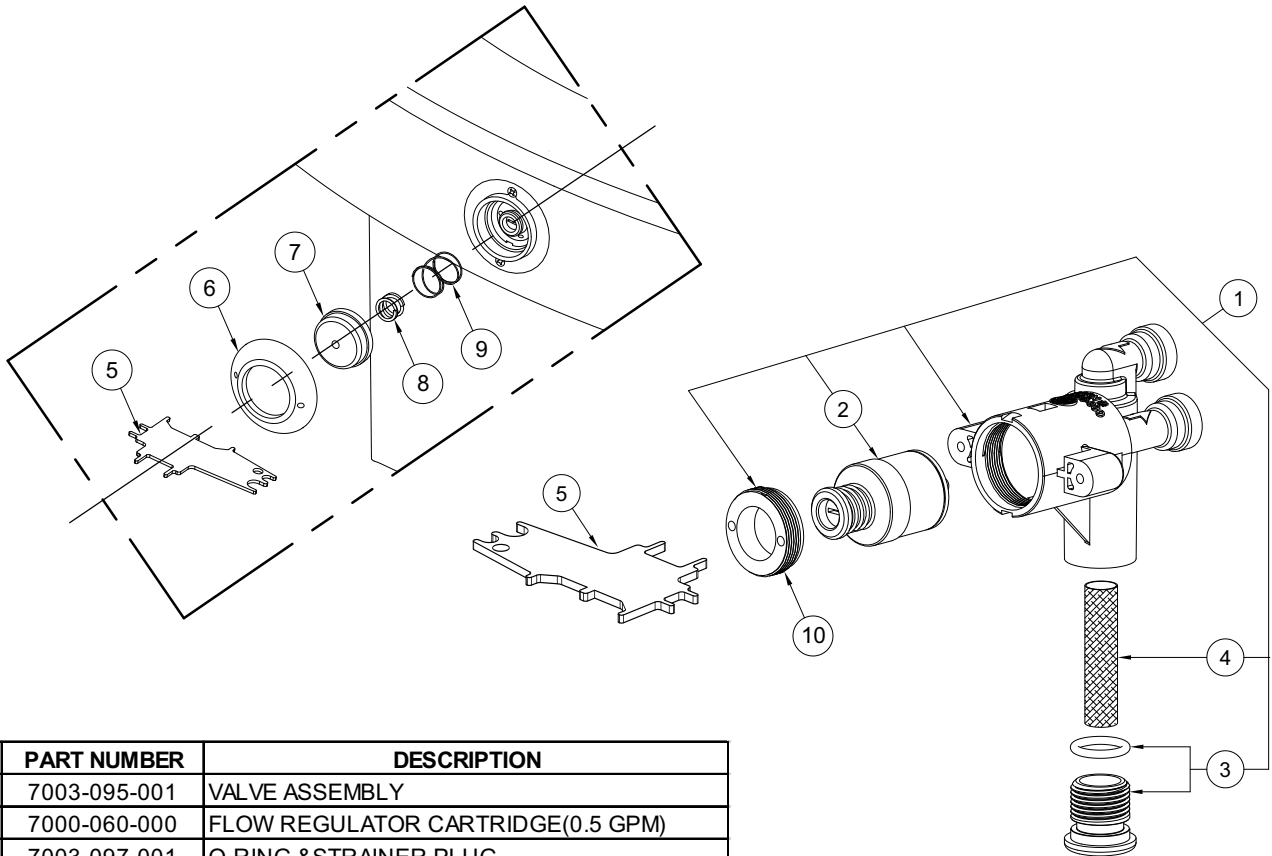


ITEM	PART NUMBER	DESCRIPTION
5	7003-830-000	UNIVERSAL MAINTANANCE TOOL
4	7003-864-000	STRAINER FILTER SCREEN
3	7003-097-001	O-RING & STRAINER PLUG
2	7000-060-000	FLOW REGULATOR CARTRIDGE(05 GPMG)
1	7003-095-001	VALVE ASSEMBLY

**-VR VANDAL RESISTANT CARTRIDGE REPLACEMENT/ STRAINER MAINTENANCE**

Note: Use the **-VR** maintenance tool to perform the following:

1. Strainer plug (4) **must** be removed before cartridge replacement and strainer maintenance (no need to turn the water off at the angle stop). Some residual water will drain during plug removal.
2. Clean strainer (4) as needed using clean water.
3. Cartridge replacement - Rotate and remove **-VR** pushbutton escutcheon (6) to release pushbutton (7) and springs (8) (9) to access cartridge.
4. Remove cartridge retaining nut (10) . Remove and replace cartridge (2). When replacing cartridge be sure to align the inlet and outlet ports on the cartridge with the ports in the valve body.
5. Install item (10) using maintenance tool (5) (Be careful not to over tighten)
6. Install button assembly items (6) (7) (8) (9) using maintenance tool (5). Insure springs are installed in button correctly.
7. Reinstall strainer (4) and plug (3) using maintenance tool (5).

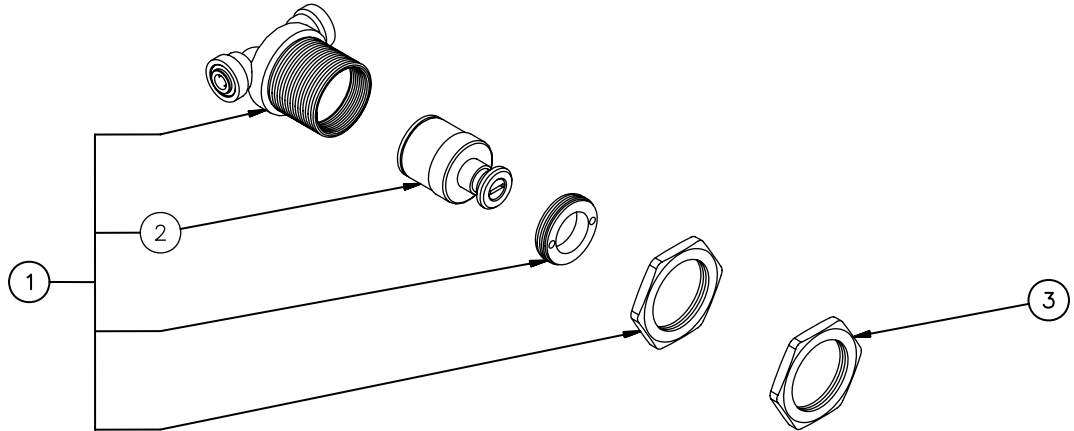


ITEM	PART NUMBER	DESCRIPTION
1	7003-095-001	VALVE ASSEMBLY
2	7000-060-000	FLOW REGULATOR CARTRIDGE(0.5 GPM)
3	7003-097-001	O-RING & STRAINER PLUG
4	7003-864-000	STRAINER FILTER SCREEN
5	7003-194-199	(-VR) MAINTENANCE TOOL
6	7003-197-199	(-VR) PUSHBUTTON ESCUTCHEON, CHROME
7	7003-196-199	(-VR) PUSHBUTTON, CHROME
8	7003-195-000	(-VR) PUSHBUTTON OVERTRAVEL SPRING
9	7003-193-000	(-VR) PUSHBUTTON RETURN SPRING
10	7000-052-000	RETAINING NUT

**NOTE: STRAINER FILTER SCREEN  
MUST BE IN PLACE FOR  
WATER TO FLOW.**

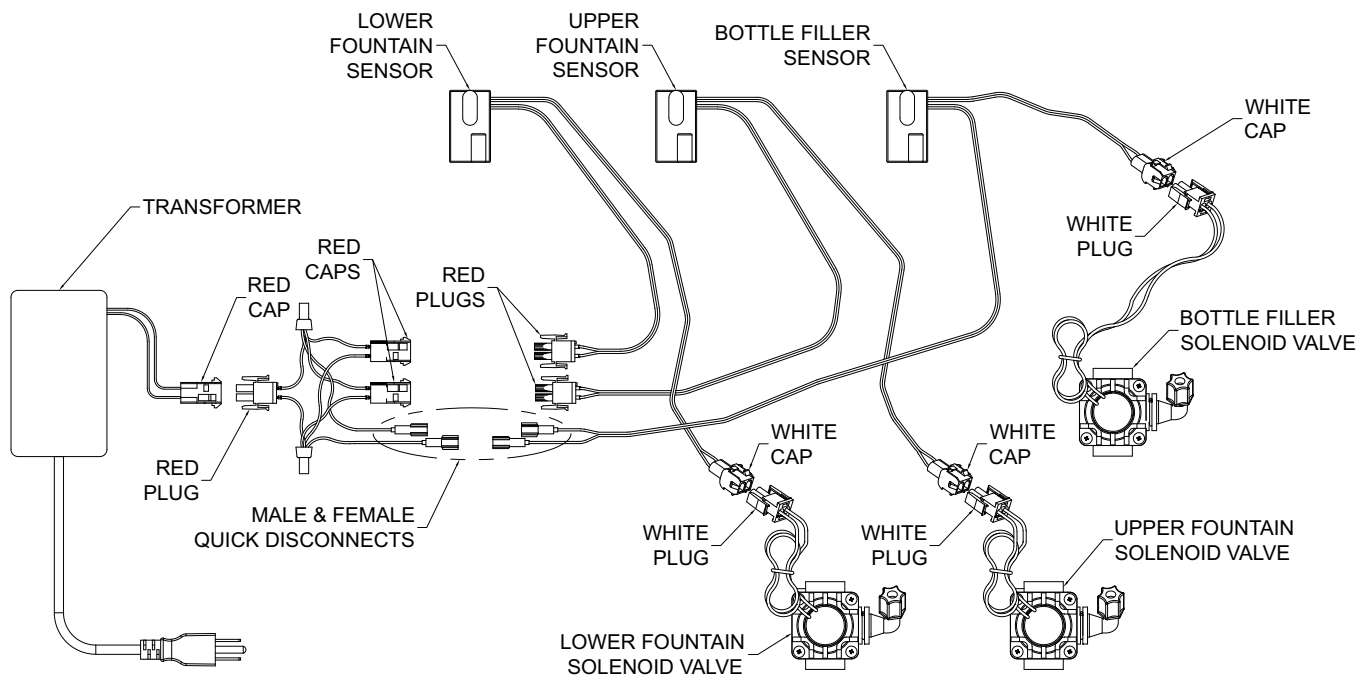


**-SO SENSOR OPERATED CARTRIDGE VALVE PARTS BREAKDOWN**



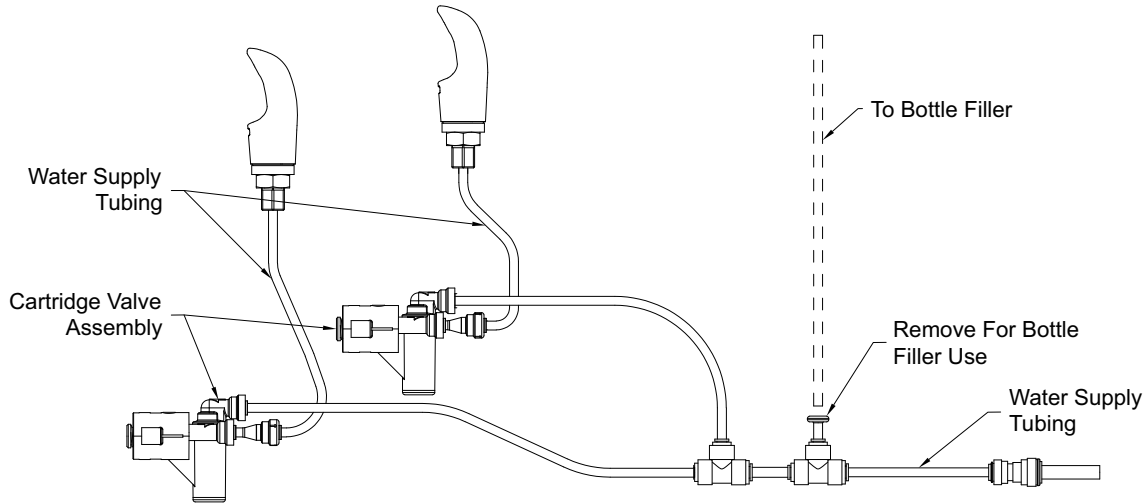
ITEM #	PART NUMBER	DESCRIPTION
1	7000-050-001	Valve Cartridge Assembly
2	7000-060-000	Valve Cartridge
3	7000-053-199	Jam Nut

**-SO SENSOR OPERATED WIRING DIAGRAM WITH -BF12**

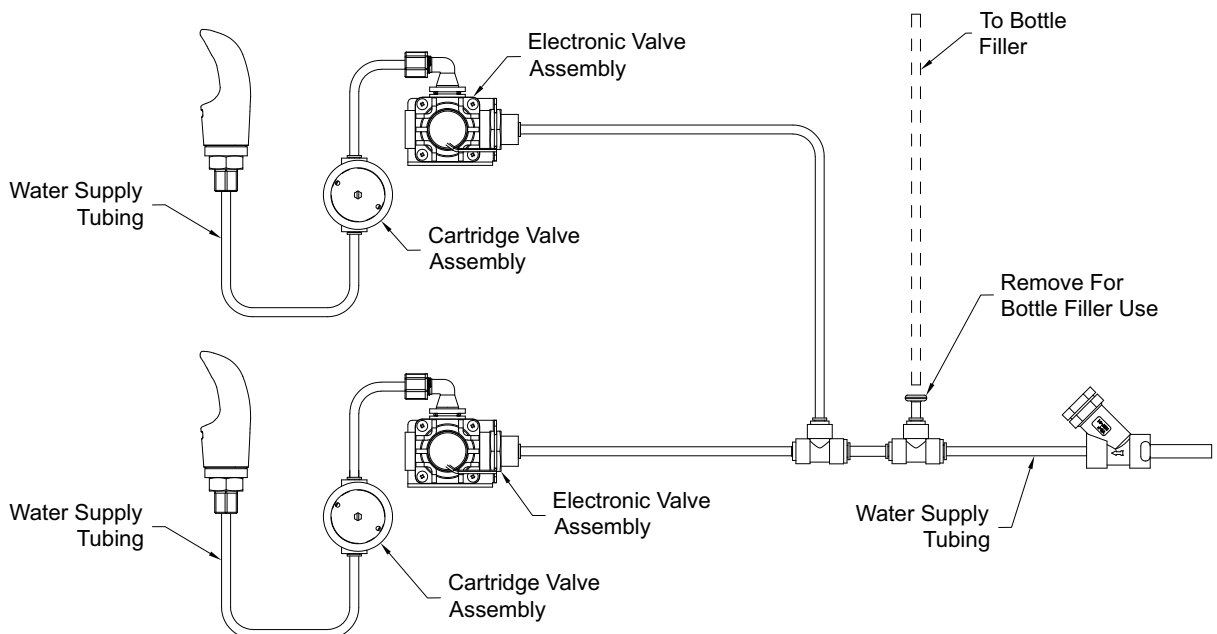




**A172-UG & A172-VR-UG BI-LEVEL UNIT PIPING INSTALLATION (WITH -BF OPTIONS)**



**A172-UG-SO BI-LEVEL UNIT PIPING INSTALLATION**

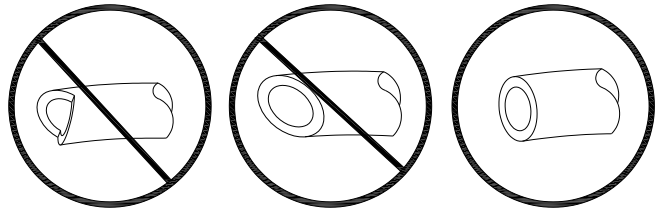


### **PUSH-IN FITTING INSTALLATION**

NOTE: FITTINGS AND TUBE SHOULD BE KEPT CLEAN, BAGGED AND UNDAMAGED PRIOR TO INSTALLATION.

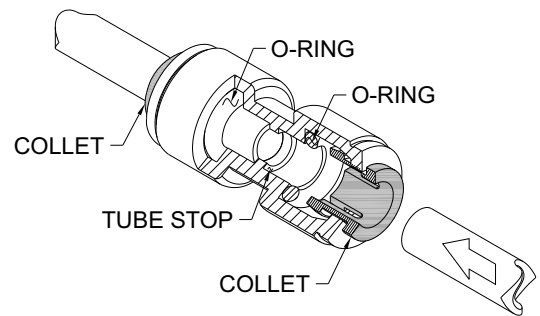
#### **TO CUT TUBE:**

Cut to fit length of 1/4" PE tubing and remove any burrs or sharp edges. Ensure that the outside diameter is free from score marks. Tube ends should be square.

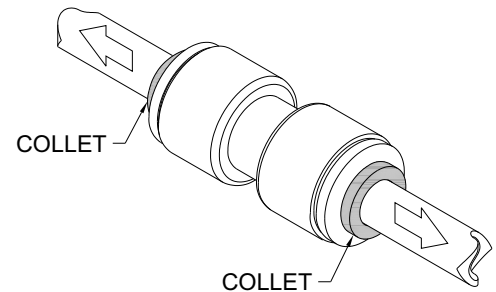


#### **INSERTING THE TUBE:**

1. Firmly and fully insert the tubing end into the push-in fitting up to the tube stop located approximately 1/2" deep.

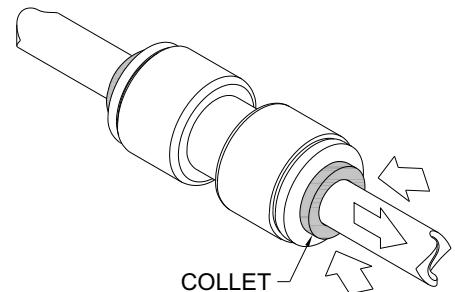


2. Pull on the fitted tubing to ensure it is secure. Tube should not come free from the fitting. Water test the connection assembly prior to leaving the site to ensure there are no leaks.



#### **DISCONNECTING THE TUBE:**

To disconnect the tube from the fitting ensure that the water line is depressurized. Push collet square towards the push-in fitting body and hold. While holding the collet in, pull on the PE tubing to remove from the push-in fitting.

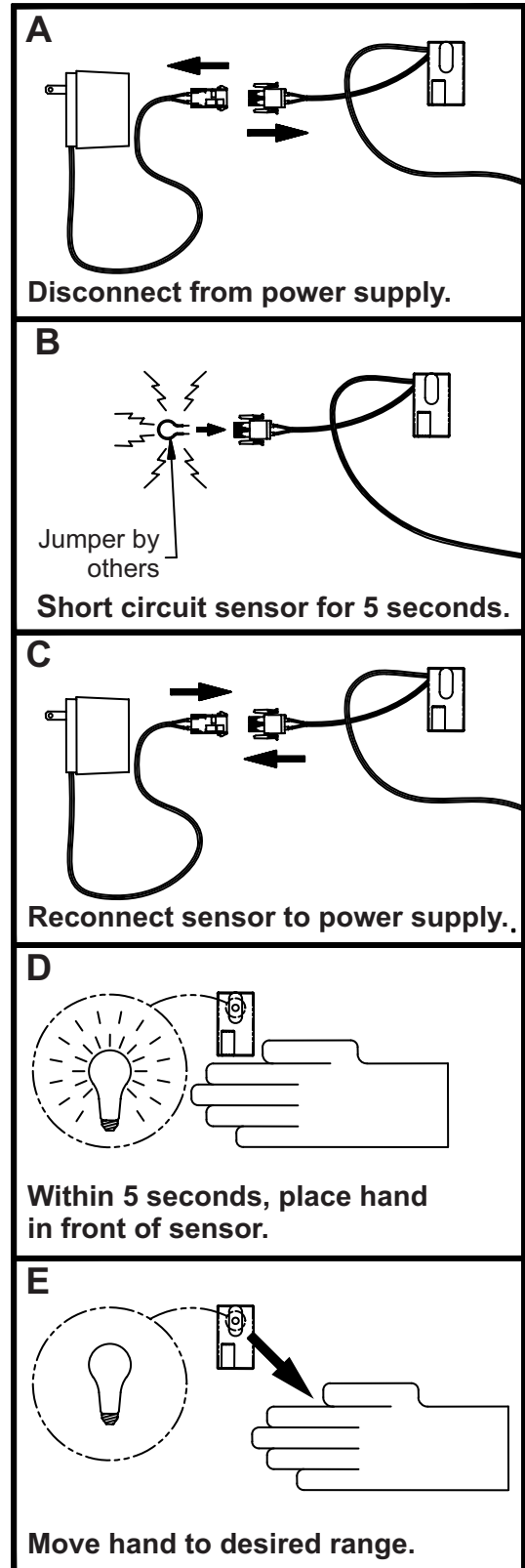


**FOR A171.8-UG-SO ONLY**

**SENSOR RANGE ADJUSTMENT**

- A. Disconnect sensor from power supply.
  
- B. Create a short circuit between the positive and negative connections on the sensor for five seconds. **WARNING: Do NOT** create a short circuit on the power supply or while the sensor is connected to the power supply.
  
- C. Reconnect the sensor to the power supply.
  
- D. Within 5 seconds of making the connection to the power supply, place and hold hand 2" to 4" in front of sensor.
  
- E. Once red light within sensor begins flashing quickly, move hand to preferred activation distance, move hand to preferred activation distance and hold there until light stops flashing.

Check sensor activation distance. If unsatisfactory, repeats steps A through E.



**WATER FILTER INSTALLATION:**

**IMPORTANT:**

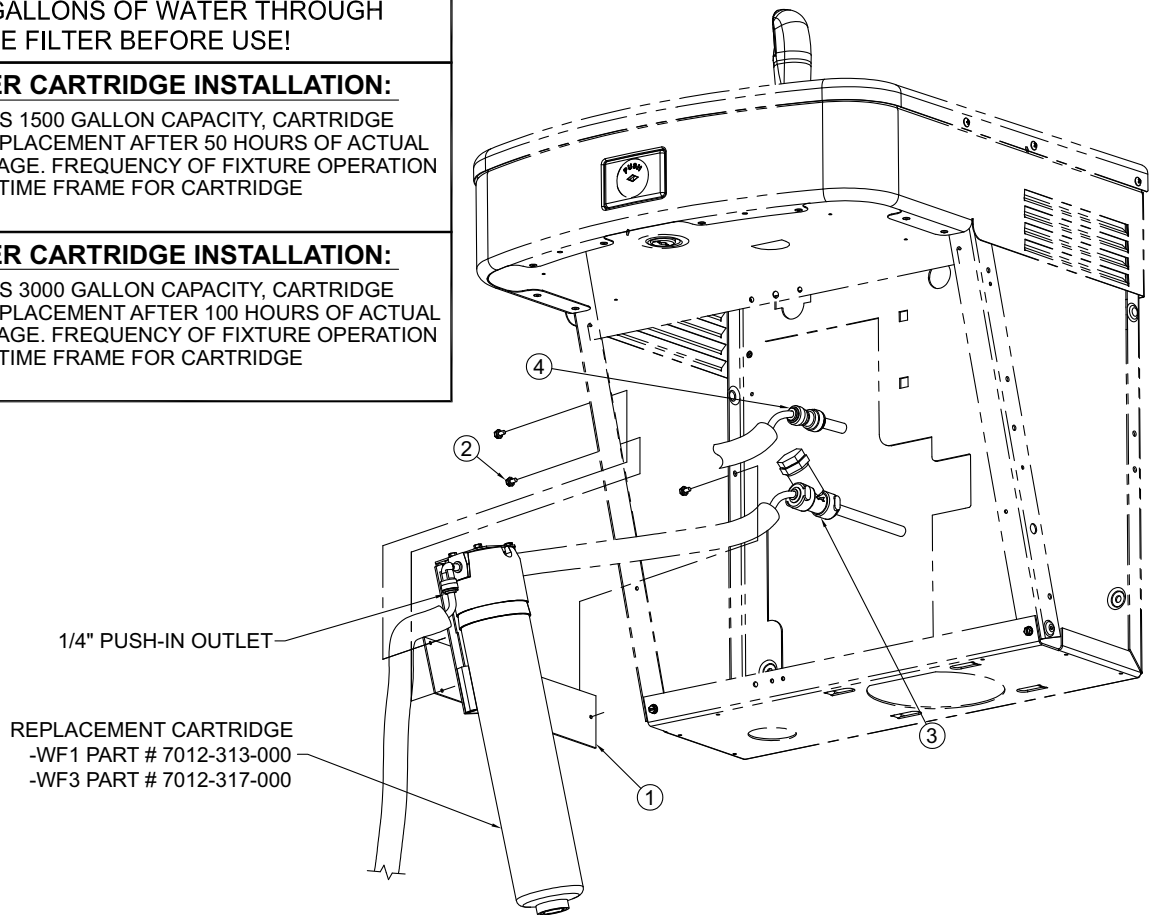
FLUSH 5 GALLONS OF WATER THROUGH THE FILTER BEFORE USE!

**-WF1 FILTER CARTRIDGE INSTALLATION:**

WATER FILTER HAS 1500 GALLON CAPACITY, CARTRIDGE WILL REQUIRE REPLACEMENT AFTER 50 HOURS OF ACTUAL OPERATIONAL USAGE. FREQUENCY OF FIXTURE OPERATION WILL DETERMINE TIME FRAME FOR CARTRIDGE REPLACEMENT.

**-WF3 FILTER CARTRIDGE INSTALLATION:**

WATER FILTER HAS 3000 GALLON CAPACITY, CARTRIDGE WILL REQUIRE REPLACEMENT AFTER 100 HOURS OF ACTUAL OPERATIONAL USAGE. FREQUENCY OF FIXTURE OPERATION WILL DETERMINE TIME FRAME FOR CARTRIDGE REPLACEMENT.



**INSTALLATION INSTRUCTIONS:**

- A- REMOVE THE BOTTOM HOUSING AND TURN OFF UNIT WATER SUPPLY. IF UNIT IS A REFRIGERATED MODEL, DISCONNECT FROM THE POWER SUPPLY.
- B- PLACE FILTER/BACKET ASSEMBLY ① ON INSIDE OF UNIT FRAME AND ALIGN HOLES IN THE BRACKET WITH THE HOLES OF THE UNIT FRAME.
- C- USE THE SCREWS ② PROVIDED TO PASS THRU THE FRAME CLEARANCE HOLES AND SCREW INTO THE BRACKET HOLES.
- D- FOLLOW PE TUBE FROM "Y" STRAINER ③ OR PUSH-IN UNION ④ TO WHERE IT CONNECTS TO THE EVAPORATOR. DISCONNECT TUBE FROM EVAPORATOR, CONNECT TO FILTER INLET PUSH-IN CONNECTION.
- E- CONNECT NEW PE TUBE PROVIDED WITH FILTER TO EVAPORATOR PUSH-IN INLET, WHERE TUBE WAS REMOVED.

- F- TURN ON WATER. CHECK FOR LEAKS.
- G- **IMPORTANT:** FLUSH 5 GALLONS OF WATER THRU THE FILTER BEFORE ALLOWING FIXTURE USE.
- H- IF REFRIGERATED UNIT, TURN ON POWER SUPPLY AND CHECK UNIT FOR PROPER OPERATION.
- I- RE-INSTALL BOTTOM HOUSING.

**NOTES:**

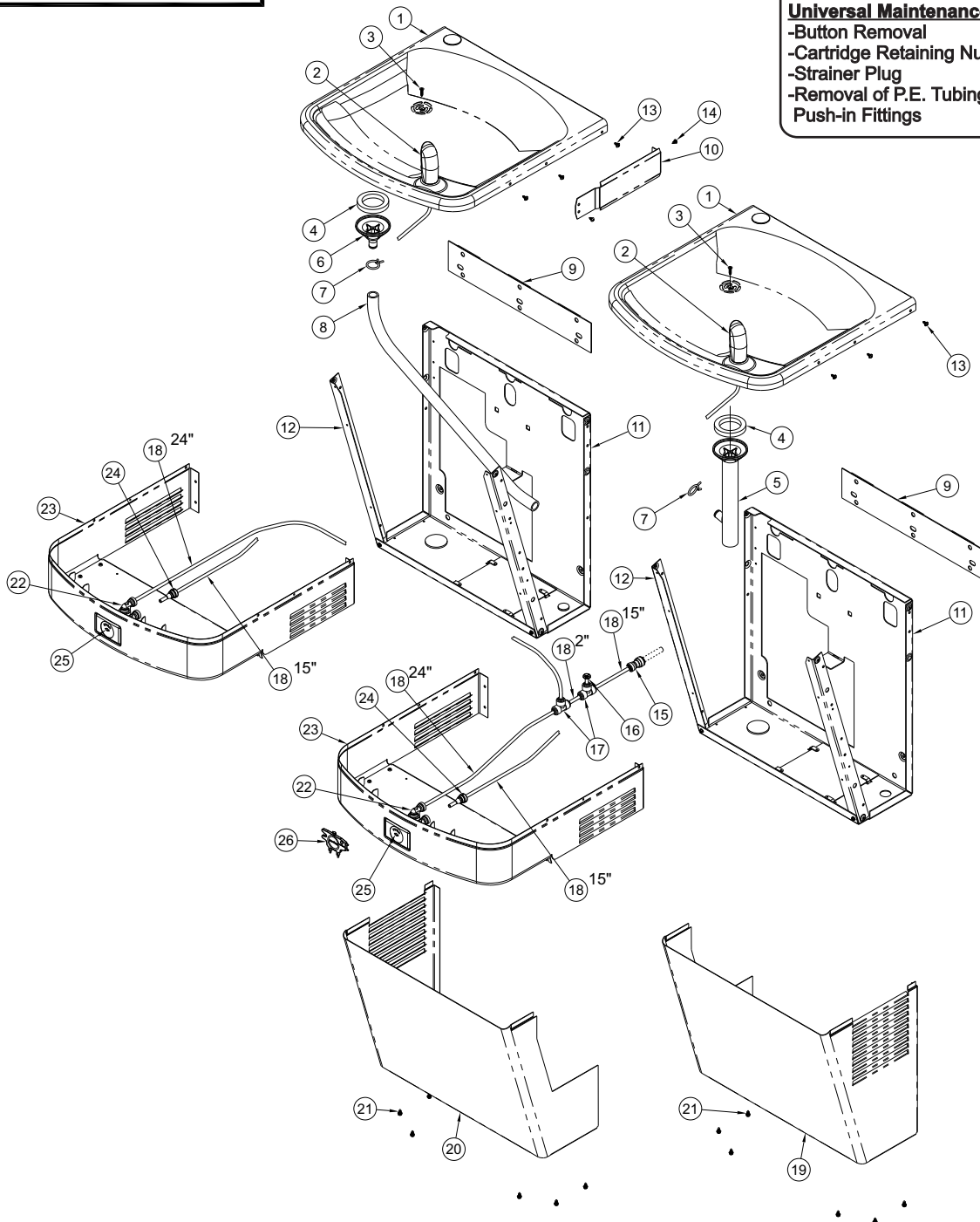
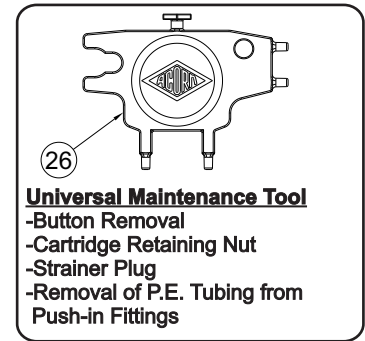
- 1- TO DISCONNECT THE TUBE FROM THE PUSH-IN FITTING TUBE HOLD DOWN GRIPPER AND PULL TUBE OUT SLOWLY.
- 2- TO CONNECT PUSH-IN FITTINGS, PUSH TUBE IN ALL THE WAY TO MAKE A GOOD CONNECTION. CARTRIDGE REPLACEMENT.

**A172-UG DRINKING FOUNTAIN PARTS BREAKDOWN**

**NOTE:** See page #10 for fixture drawing corresponding to table of parts below.

**NOTE:**

\*\* Flow Restrictor Only Available  
With Low Flow Bubbler.



**A172-UG DRINKING FOUNTAIN PARTS BREAKDOWN TABLE**

NOTE: See previous page for fixture drawing corresponding to table of parts below.

ITEM#	PART NUMBER	DESCRIPTION
1	7003-161-001	BASIN TOP w/ PLUG
2	7000-099-002	STANDARD FLEXIBLE BUBBLER ASSEMBLY
	7000-012-001	LEAD -FREE STAINLESS STEEL BUBBLER ASSEMBLY
3	0124-008-000	#8 x 3/4" LG FLAT HD SELF TAPPING TORX C/R SCREW
4	7000-006-000	FLAT DRAIN GASKET
5	7003-181-000	DRAIN TAILPIECE (LONG)
6	7003-180-000	DRAIN ADAPTER
7	7003-184-000	7/8" SPRING CLAMP
8	7003-183-199	DRAIN HOSE
9	7003-950-199	HANGER BRACKET
10	7003-956-020	FILLER PLATE - GRAY
	7003-825-199	FILLER PLATE - STAINLESS STEEL
11	7003-900-199	BACK PANEL
12	7003-007-199	SUPPORT STRUT
13	0124-036-000	#8 x 1/2" LONG TORX ROUND HEAD C/R SCREW
14	0124-050-000	#8 x 3/8" LONG PHILLIPS PAN HEAD SCREW
15	1895-123-000	1/4" x 3/8" O.D. PUSH-IN SUPPLY INLET CONNECTION
16	1895-715-000	1/4" PLUG
17	1895-710-000	1/4" x 3/8" O.D. TUBE UNION TEE (PUSH-IN)
18	2169-000-000	1/*4" O.D. PE TUBING (BLUE)
19	7003-955-020	RIGHT CABINET - GRAY
	7003-824-299	RIGHT CABINET - STAINLESS STEEL
20	7003-954-020	LEFT CABINET - GRAY
	7003-823-299	LEFT CABINET - STAINLESS STEEL
21	0124-031-000	#8x3/8" LONG SLOTTED HEX WASHER HEAD SCREW
22	7003-095-001	VALVE ASSEMBLY
23	7003-953-020	APRON ASSEMBLY - GRAY
	7003-826-001	APRON ASSEMBLY - STAINLESS STEEL
24	7003-093-001	FLOW RESTRICTOR - LOW-FLOW BUBBLER ONLY
25	7003-099-000	PUSHBUTTON
26	7003-830-000	UNIVERSAL MAINTENANCE TOOL

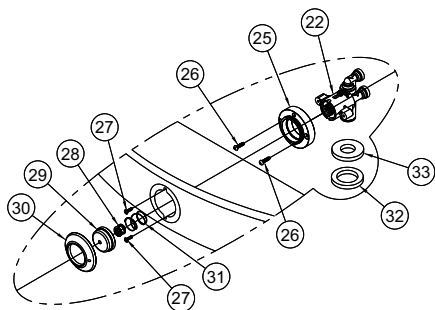
Repairs must be made with Acorn Engineering parts only. Please order through your local representative or distributor. The phone number to locate your local representative is 1.800.591.9360.

**A172-UG-VR DRINKING FOUNTAIN PARTS BREAKDOWN**

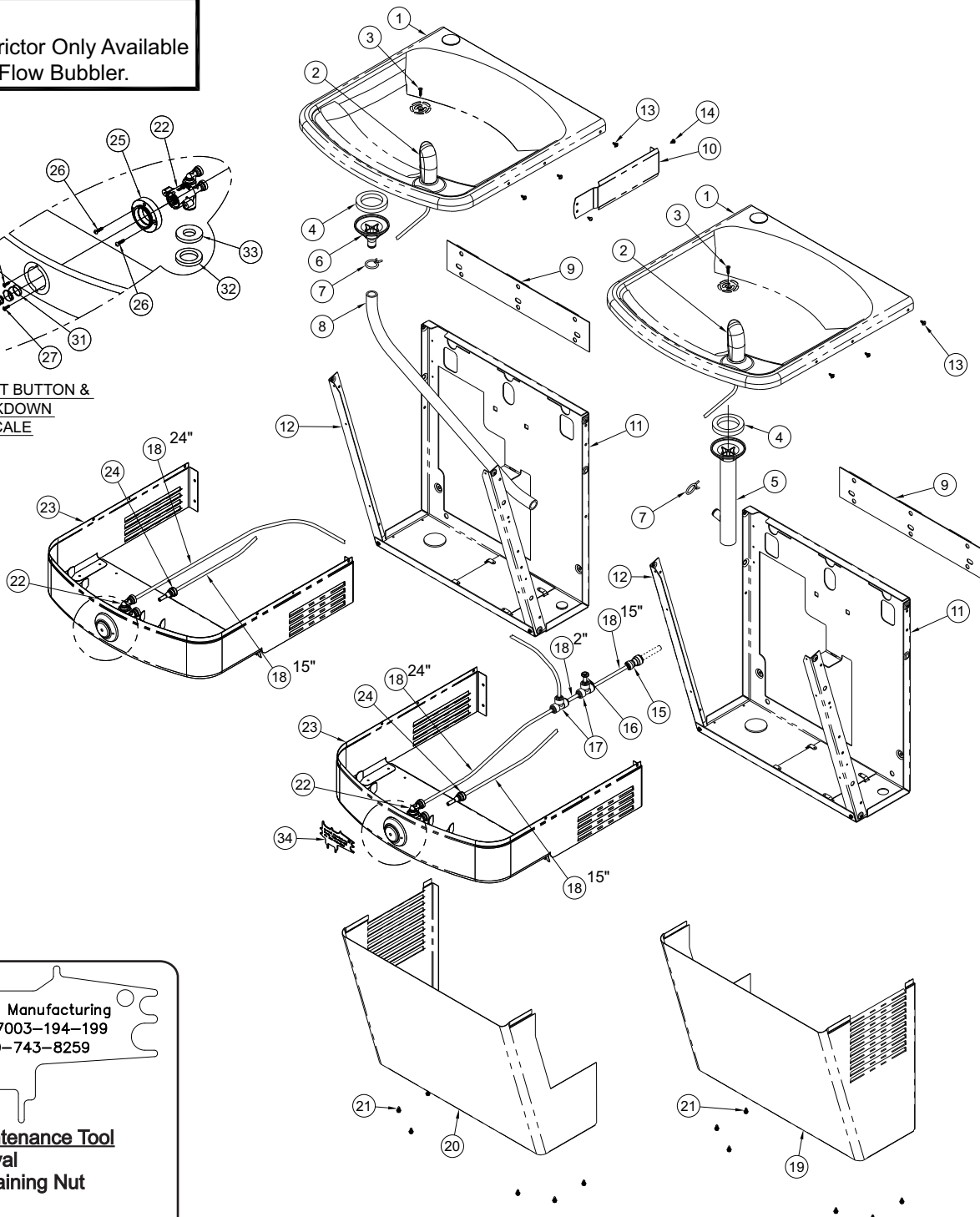
**NOTE:** See page #13 for fixture drawing corresponding to table of parts below.

**NOTE:**

**\*\* Flow Restrictor Only Available  
With Low Flow Bubbler.**



**VANDAL RESISTANT BUTTON &  
VALVE BREAKDOWN  
NOT TO SCALE**



Murdock Manufacturing  
Part#: 7003-194-199  
Ph: 800-743-8259

**34**

**Universal Maintenance Tool**  
-Button Removal  
-Cartridge Retaining Nut  
-Strainer Plug  
-Removal of P.E. Tubing  
from Push-in Fittings



**A172-UG-VR DRINKING FOUNTAIN PARTS BREAKDOWN TABLE**

NOTE: See previous page for fixture drawing corresponding to table of parts below.

ITEM #	PART NUMBER	DESCRIPTION
1	7003-161-001	BASIN TOP w/ PLUG
2	7000-099-002	STANDARD FLEXIBLE BUBBLER ASSEMBLY
	7000-012-001	LEAD -FREE STAINLESS STEEL BUBBLER ASSEMBLY
3	0124-008-000	#8 x 3/4" LG FLAT HD SELF TAPPING TORX C/R SCREW
4	7000-008-000	FLAT DRAIN GASKET
5	7003-181-000	DRAIN TAILPIECE (LONG)
6	7003-180-000	DRAIN ADAPTER
7	7003-184-000	7/8" SPRING CLAMP
8	7003-183-199	DRAIN HOSE
9	7003-950-199	HANGER BRACKET
10	7003-956-020	FILLER PLATE - GRAY
	7003-825-199	FILLER PLATE - STAINLESS STEEL
11	7003-900-199	BACK PANEL
12	7003-007-199	SUPPORT STRUT
13	0124-036-000	#8 x 1/2" LONG TORX ROUND HEAD C/R SCREW
14	0124-050-000	#8 x 3/8" LONG PHILLIPS PAN HEAD SCREW
15	1895-123-000	1/4" x 3/8" O.D. PUSH-IN SUPPLY INLET CONNECTION
16	1895-715-000	1/4" PLUG
17	1895-710-000	1/4" x 3/8" O.D. TUBE UNION TEE (PUSH-IN)
18	2169-000-000	1/4" O.D. PE TUBING (BLUE)
19	7003-955-020	RIGHT CABINET - GRAY
	7003-824-299	RIGHT CABINET - STAINLESS STEEL
20	7003-954-020	LEFT CABINET - GRAY
	7003-823-299	LEFT CABINET - STAINLESS STEEL
21	0124-031-000	#8 x 3/8" LONG SLOTTED HEX WASHER HEAD SCREW
22	7003-095-001	VALVE ASSEMBLY
23	7003-952-020	APRON ASSEMBLY - GRAY
	7003-826-001	APRON ASSEMBLY - STAINLESS STEEL
24	7003-093-001	FLOW RESTRICTOR - LOW-FLOW BUBBLER ONLY
25	7003-198-199	(-VR) PUSHBUTTON MOUNTING SLEEVE
26	0124-055-000	#8 x 3/4" LONG PHILLIPS ROUND HEAD SCREW
27	0161-062-000	#6-32 x 1/2" LONG PHILLIPS ROUND HEAD SCREW
28	7003-195-000	(-VR) PUSHBUTTON OVERTRAVEL SPRING
29	7003-196-199	(-VR) PUSHBUTTON, CHROME
30	7003-197-199	(-VR) PUSHBUTTON ESCUTCHEON, CHROME
31	7003-193-000	(-VR) PUSHBUTTON RETURN SPRING
32	7003-200-000	AUTO-STOP CONDESATION GASKET, LOWER
33	7003-199-000	AUTO-STOP CONDESATION GASKET, UPPER
34	7003-830-000	UNIVERSAL MAINTENANCE TOOL

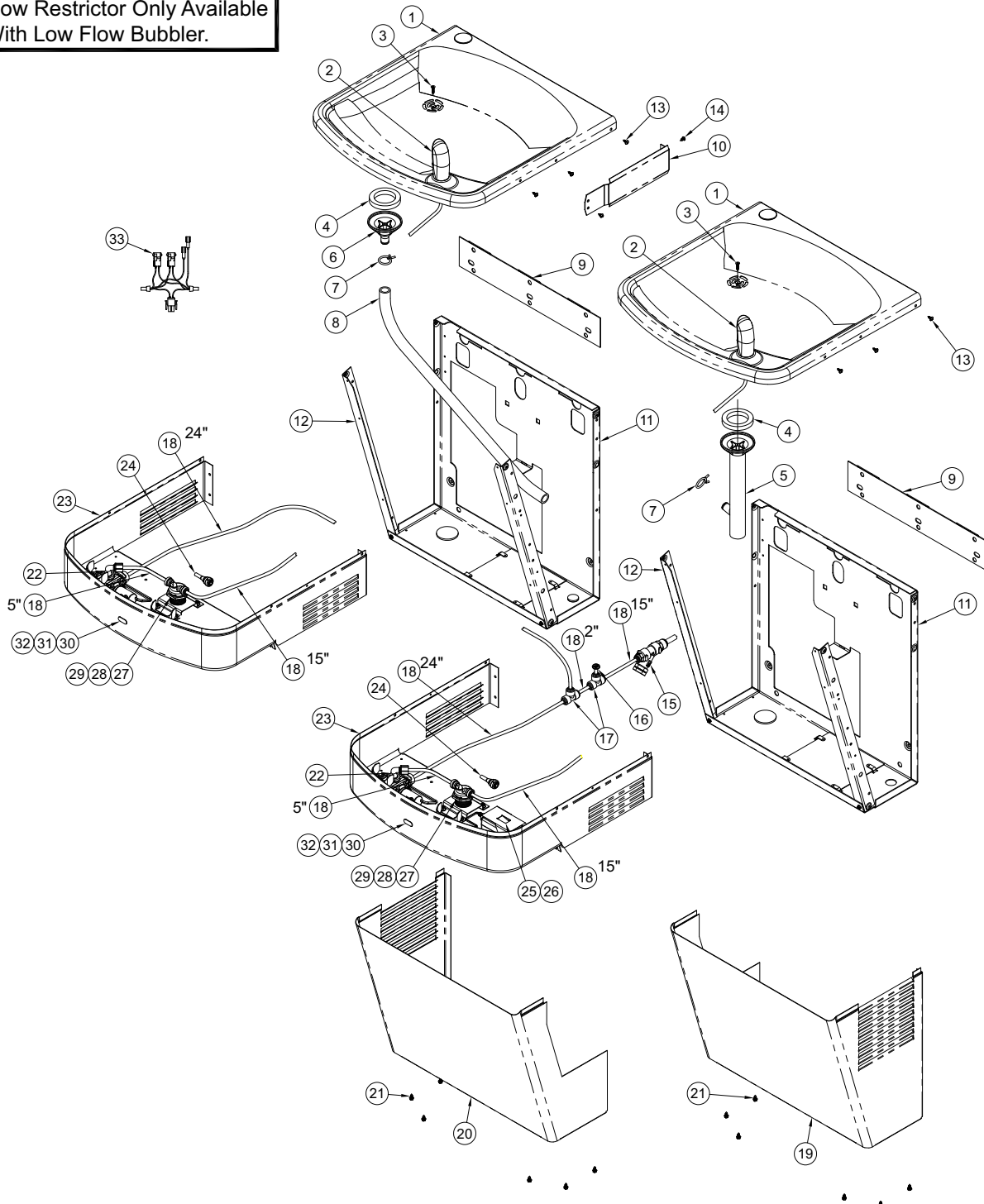
Repairs must be made with Acorn Engineering parts only. Please order through your local representative or distributor. The phone number to locate your local representative is 1.800.591.9360.

**A172-UG-SO DRINKING FOUNTAIN PARTS BREAKDOWN**

**NOTE:** See page #15 for fixture drawing corresponding to table of parts below.

**NOTE:**

\*\* Flow Restrictor Only Available  
With Low Flow Bubbler.



**A172-UG-SO DRINKING FOUNTAIN PARTS BREAKDOWN TABLE**

NOTE: See previous page for fixture drawing corresponding to table of parts below.

ITEM#	PART NUMBER	DESCRIPTION
1	7003-161-001	BASIN TOP w/ PLUG
2	7000-099-002	STANDARD FLEXIBLE BUBBLER ASSEMBLY
	7000-012-001	LEAD -FREE STAINLESS STEEL BUBBLER ASSEMBLY
3	0124-008-000	#8 x 3/4" LG FLAT HD SELF TAPPING TORX C/R SCREW
4	7000-006-000	FLAT DRAIN GASKET
5	7003-181-000	DRAIN TAILPIECE (LONG)
6	7003-180-000	DRAIN ADAPTER
7	7003-184-000	7/8" SPRING CLAMP
8	7003-183-199	DRAIN HOSE
9	7003-950-199	HANGER BRACKET
10	7003-956-020	FILLER PLATE - GRAY
	7003-825-199	FILLER PLATE - STAINLESS STEEL
11	7003-900-199	BACK PANEL
12	7003-007-199	SUPPORT STRUT
13	0124-036-000	#8 x 1/2" LONG TORX ROUND HEAD C/R SCREW
14	0124-050-000	#8 x 3/8" LONG PHILLIPS PAN HEAD SCREW
15	7000-021-002	"Y" STRAINER ASSEMBLY 3/8" O.D. x 1/4" O.D.
16	1895-715-000	1/4" PLUG
17	1895-710-000	1/4" x 3/8" O.D. TUBE UNION TEE (PUSH-IN)
18	2169-000-000	1/*4" O.D. PE TUBING (BLUE)
19	7003-955-020	RIGHT CABINET - GRAY
	7003-824-299	RIGHT CABINET - STAINLESS STEEL
20	7003-954-020	LEFT CABINET - GRAY
	7003-823-299	LEFT CABINET - STAINLESS STEEL
21	0124-031-000	#8 x 3/8" LONG SLOTTED HEX WASHER HEAD SCREW
22	7003-095-001	VALVE ASSEMBLY
23	7003-922-020	APRON ASSEMBLY - GRAY
	7003-826-005	APRON ASSEMBLY - STAINLESS STEEL
24	7003-093-001	FLOW RESTRICTOR - LOW-FLOW BUBBLER ONLY
25	0711-407-001	240VAC / 9VDC TRANSFORMER
26	7003-028-199	TRANSFORMER BRACKET
27	7000-050-001	VALVE CARTRIDGE
28	7000-060-000	FLOW REGULATOR CARTRIDGE (0.5 GPM)
29	7003-023-199	CARTRIDGE MOUNTING BRACKET (SENSOR OP)
30	2563-385-002	NANO SENSOR ASSEMBLY
31	7003-029-199	SENSOR BRACKET
32	7001-200-199	SOLENOID VALVE MOUNTING BRACKET
33	0711-451-001	3 STATION 9VAC WIRING HARNESS

Repairs must be made with Acorn Engineering parts only. Please order through your local representative or distributor. The phone number to locate your local representative is 1.800.591.9360.