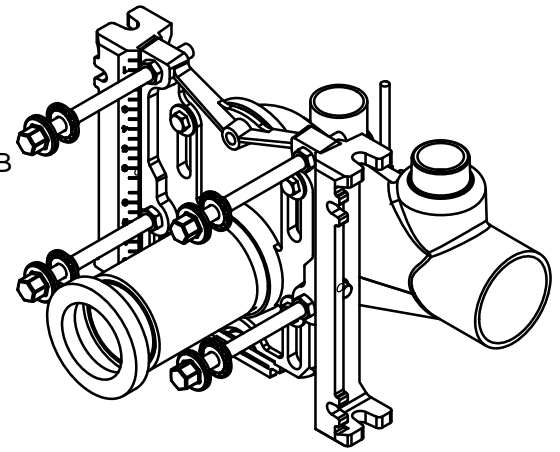
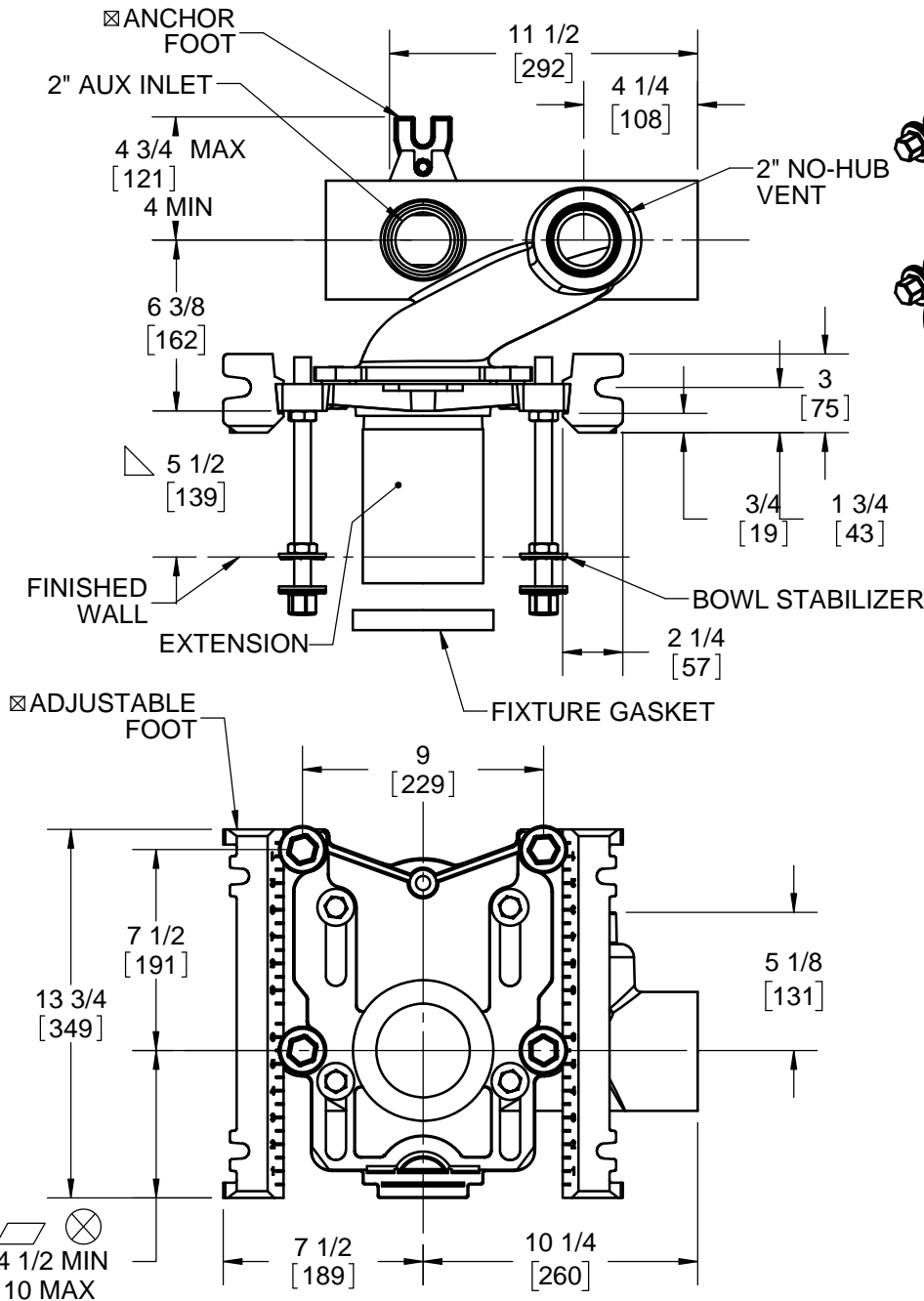


**SPECIFICATION:**

JOSAM 12674-AUX SERIES COATED CAST IRON SINGLE HORIZONTAL 4" NO-HUB LEFT-HAND OFFSET FITTING WITH 2" NO-HUB VENT, 2" AUXILIARY INLET, AND ADJUSTABLE CARRIER BODY, INVERTIBLE FOR SIPHON JET OR BLOWOUT CLOSETS, WITH ABS EXTENSION WITH INTEGRAL TEST CAP, PYLON FEET, ANCHOR FOOT, PLATED HARDWARE AND NEOPRENE FIXTURE GASKET.

**CLOSET CARRIER  
LEFT HAND**

SERIES **12674-AUX**



△ FOR DIMENSION SHORTER THAN 5-1/2" (1" MIN) CUT EXTENSION. FOR LONGER EXTENSION (10-1/2" MAX) SPECIFY (-10).

☒ RECOMMEND FEET BE SECURED TO FLOOR WITH 1/2" BOLTS AND ANCHORS (BY OTHERS).

⊗ FOR SIPHON JET ROUGHING OVER 6" OR BLOWOUT ROUGHING OVER 12-1/2" SPECIFY ON ORDER.

SIPHON JET DIMS SHOWN. FOR BLOWOUT DIMS, USE:

□ MIN 2" & MAX 4"

▱ MIN 11" & MAX 16 1/2"

⊙ AUX INLET IS 6" OFFSET FROM VENT

	-PF	PYLON FOOT, STD	-XSD	EXTRA SPECIAL DUTY 1,000 LB CARRIER
	-OR	O-RING CARRIER	-6	SUPPLY PIPE SUPPORT (SPECIFY TYPE OF PIPE)
	-SD	SPECIAL-DUTY 500 LB CARRIER	-10	ABS EXTENSION THROUGH 10-1/2" WALL
	-HS	HUB & SPIGOT	-24	FLOOR MOUNTED BACK OUTLET CHINA BOWL
X	-AUX	⊙ AUXILIARY INLET (2" NO-HUB)	-30	CAST IRON ADJ. EXTENSION W/ CONNECTOR
	-HUB	⊙ AUXILIARY INLET (2" HUB)	-30-2	CAST IRON ADJ. EXTENSION W/ CONNECTOR & TEST CAP
	-VP	VANDAL-PROOF TRIM	-32	CARRIER FOR WIDE CHASE INSTALLATIONS
	-1	POSITIONING FRAME	-35	CARRIER FOR WHEELCHAIR HIGH ROUGH
			-58	HORIZONTAL NO-HUB CAST LONG BARREL

WARNING: Cancer and Reproductive Harm - www.P65Warnings.ca.gov

DATE OF LAST CHANGE: 5/29/18

DIMENSIONS ARE SUBJECT TO MANUFACTURERS TOLERANCES AND CHANGE WITHOUT NOTICE. WE CAN ASSUME NO RESPONSIBILITY FOR USE OF SUPERSEDED OR VOID DATA.



MICHIGAN CITY, INDIANA

NOTES