

GY Series

MODEL GYE14 WALL MOUNTED BOTTLE FILLER WITH ANGLED DRINKING FOUNTAIN

STANDARD FEATURES

- Bottle Filler and Drinking Fountain Adult ADA Compliant (when properly installed)
- Optionally Available with "Hands Free" Controls
- Extra Height Bottle Filler with Laminar Flow Spout
- Resistant to Sunlight, Heat, Moisture and wear
- 18 Gauge, Type 304 Stn Stl Drinking Fountain Bowl
- 12 Gauge, Heavy Duty Stainless Steel Construction with Corrosion and Scratch Resistant Finish
- Polished Stainless Steel, Anti-Rotation, Non-Squirt Bubbler
- Heavy Duty, Stainless Steel Access Covers
- 1/4" Thick Stainless Steel Mounting Plate
- Lead and Cyst Water Filter (N/A with -FRA option)
- 100-Mesh Inlet Strainer

SUGGESTED SPECIFICATIONS

Wall Mounted Round Bottle Filler with Drinking Fountain shall be Murdock model GYE14. Construction shall be 12 gauge, all stainless steel with 18 gauge type 304 stainless steel fountain bowl. Provide 1/4" thick stainless steel mounting plate to securely anchor unit to wall. Access Panels shall be secured with vandal-resistant stainless steel screws. Drinking Fountain shall be activated by a front mounted self-closing Pushbutton with Cartridge Valve Assembly, using less than 5 pounds of force to activate with an adjustable stream regulator controlling the water flow. Bubblers shall be stainless steel with non-squirt feature and operate on water pressure range of 20-105 PSIG. Extra height Bottle Filler shall be activated a Pneumatic Pushbutton using less than 5 lbs of force to activate and provide 1.0 GPM from Laminar Flow Spout. P-Trap shall be installer provided behind wall (Optional -PT P-Trap with access below fixture is available). Unit shall contain a 100-mesh Inlet Strainer, with lead and cyst Filter. Fountain shall comply with ANSI A117.1, Public Law 111-380 (NO-LEAD), CHSC 116875 and NSF/ANSI 61, Section 9. Fixture to meet ADA and ADA Reach requirements when mounted appropriately.

Complies with the following standards:



NSF/ANSI 61



Federal Public Law 111-380 (No Lead)



Model: GYE15-R Shown

"FOR INDOOR AND OUTDOOR USE"

MODEL: (Must Specify)

- GYE14 Satin Stainless Finish
- GYE15 Green Powder-Coated (Shown)
- GYE16 Red Powder-Coated
- GYE17 Blue Powder-Coated

Custom color finishes available upon request

ADA DRINKING FOUNTAIN ORIENTATION

(Must Specify)

- L ADA Drinking Fountain Left Side (Opposite)
- R ADA Drinking Fountain Right Side (Shown)

OPTIONAL ACCESSORIES

(additional costs may be incurred)

- FRA2 Freeze Resistant Valve, Two Valves¹ (Less Filter & Sensor)
- LOGO Customer specified logo
- PIP Plug-In Power Supply 115VAC/9VDC Plug-In Transformer (In lieu of Battery Op-SOC Option)
- PT 1-1/4" OD P-Trap (Access Below Fixture)
- SOC Concealed Sensor Operation Drinking Fountain - Battery Operated Standard (N/A with -FRA2¹)
- SO Sensor Operated Bottle Filler - Battery Operated Standard (N/A with -FRA2¹)
- 316 Type 316 Stainless Steel Construction

Option Notes:

¹See separate option sheet



Member of U.S. Green Building Council



Recyclable Product



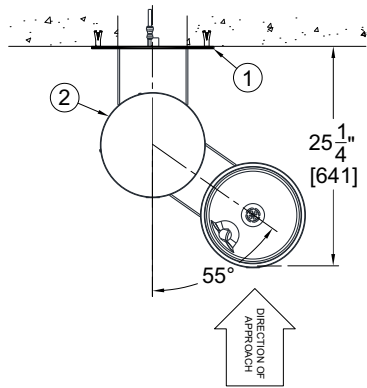
Water Conserving Product

⚠ WARNING: Cancer and Reproductive Harm - www.P65Warnings.ca.gov

GY Series

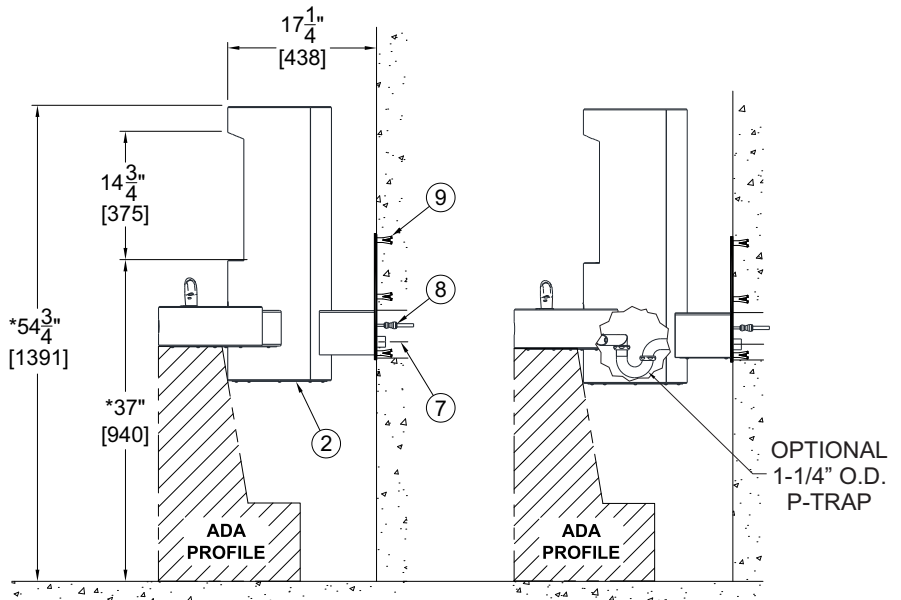
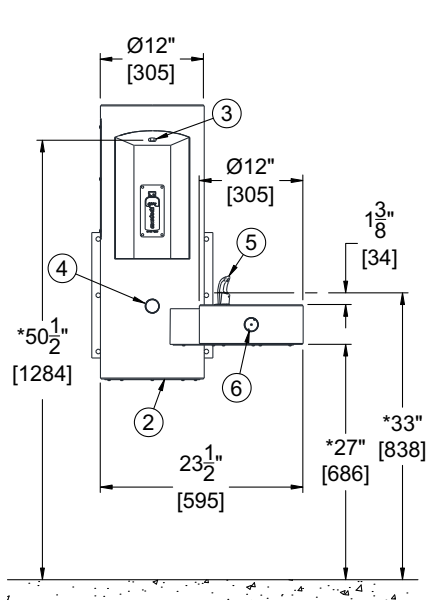
**MODEL GYE14
WALL MOUNTED BOTTLE FILLER
WITH DRINKING FOUNTAIN**

* Valve specifications:
Minimum/Maximum
Pressure 30 to 100 psi.



NOTES:

1. 1/4" THICK SS MOUNTING PLATE
2. REMOVABLE ACCESS PANELS
3. BOTTLE FILLER SPOUT
4. BOTTLE FILLER PUSHBUTTON WITH CARTRIDGE VALVE
5. DRINKING BUBBLER
6. DRINKING FOUNTAIN PUSHBUTTON WITH CARTRIDGE VALVE
7. 1-1/4" O.D. WASTE OUTLET FOR P-TRAP BEHIND WALL (STANDARD) P-TRAP PROVIDED BY OTHERS
8. 3/8" O.D. SUPPLY CONNECTION
9. INSTALLER PROVIDED WALL ANCHORS AND ANCHORING HARDWARE



GYE14-R SHOWN

GENERAL NOTES:

1. ALL DIMENSIONS ARE IN INCHES [MM].
- *2. DIMENSIONS SHOWN ARE FOR RECOMMENDED ADULT HEIGHT. ADJUST VERTICAL DIMENSIONS AS NECESSARY TO COMPLY WITH FEDERAL, STATE, & LOCAL CODES.
3. STOP VALVE NOT PROVIDED.

IMPORTANT: Refer to installation instructions for complete rough-in and technical data.
NOTE: Some options may change standard roughs.

Murdock Mfg.™ warrants that its products are free from defects in material or workmanship under normal use and service for a period of one year from date of shipment. Murdock's liability under this warranty shall be discharged solely by replacement or repair of defective material, provided Murdock™ is notified in writing within one year from date of shipment, F.O.B. Industry, California.

SELECTION SUMMARY & APPROVAL FOR MANUFACTURING	Model Number & Options _____	Quantity _____	All dimensions are subject to manufactures tolerance of plus or minus 1/2" nominal and subject to change without notice. Murdock assumes no responsibility for use of void or superseded data. Dimensions may change with the addition of optional accessories. Murdock Mfg.®, Member of Morris Group International™. Please visit www.murdockmfg.com for most current specifications.
	Company _____		
	Contact _____	Title _____	
	Signature (Approval for Manufacturing) _____	Date _____	