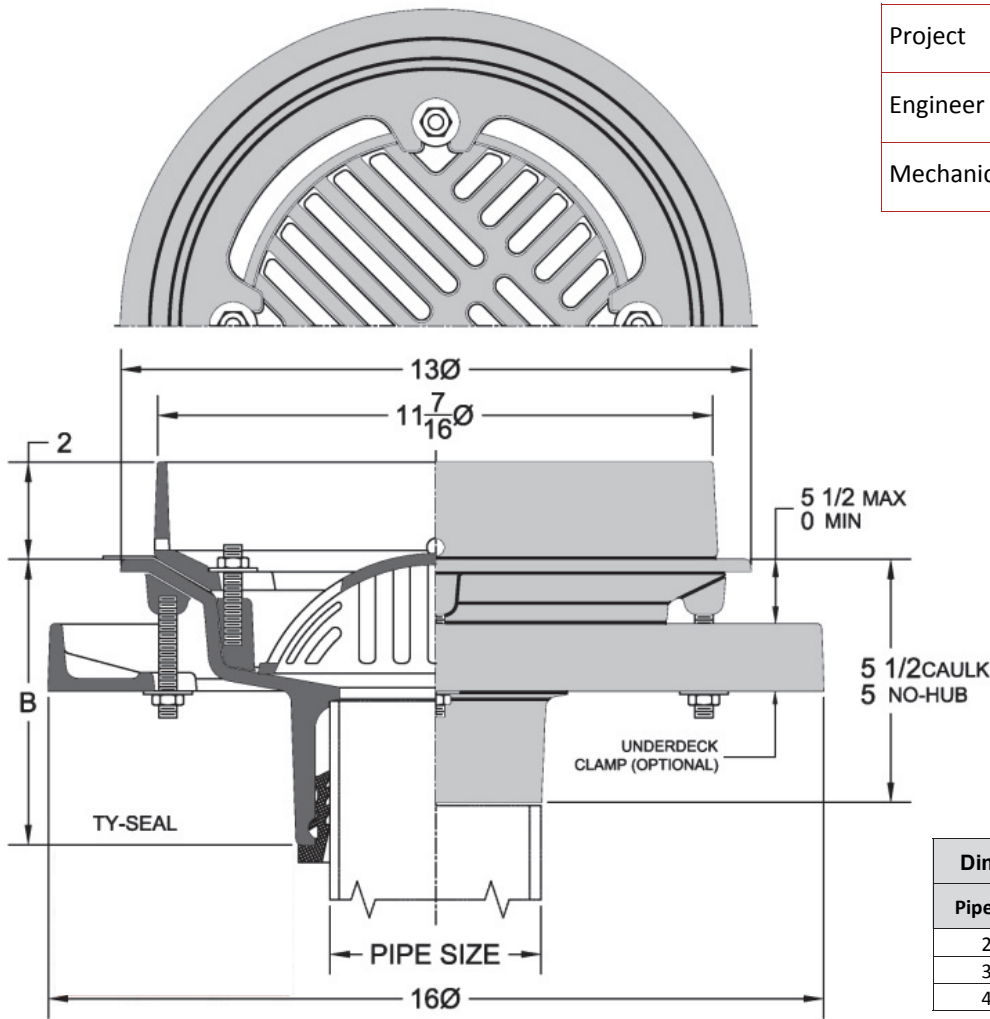


3062 13" Diameter Roof Receptor Drain



Project	
Engineer	
Mechanical	

Dimensions (In.)	
Pipe Size	B
2"	5 1/2
3"	5 3/4
4"	5 3/4

3062	-46 Cast Iron Body with Aluminum Dome	Dome Free Area (Sq.In.)
•		43.0

Regularly Furnished: Cast iron indirect waste drain with flange & internal dome strainer.

Outlet Variations		
Type	Designation	•
Inside Caulk	2IC,3IC,4IC,5IC,6IC	
No-Hub	2NH,3NH,4NH,5NH,6NH	
Push On Gasket	2TY,3TY,4TY	

Optional Extensions		
Suffix	Description	•
-DF	Fixed Extension (1.5,2.5,3.5 or 4.5")*	Painted -39 Galv
-EB	Adjustable Drain Extension Pan*	

Suffix Options		
Suffix	Description	•
-ARC	Acid Resistant Coating	
-SO	90 Degree Side Outlet (2IPS,3IPS,4IPS)*	
-39	Galvanized Cast Iron	
-52	Sump Receiver*	
-53	Under-Deck Clamp*	
-189	Bearing Pan w/ Clips & Securing Hardware*	

*Dimensions vary from illustration