

SPECIFICATION:

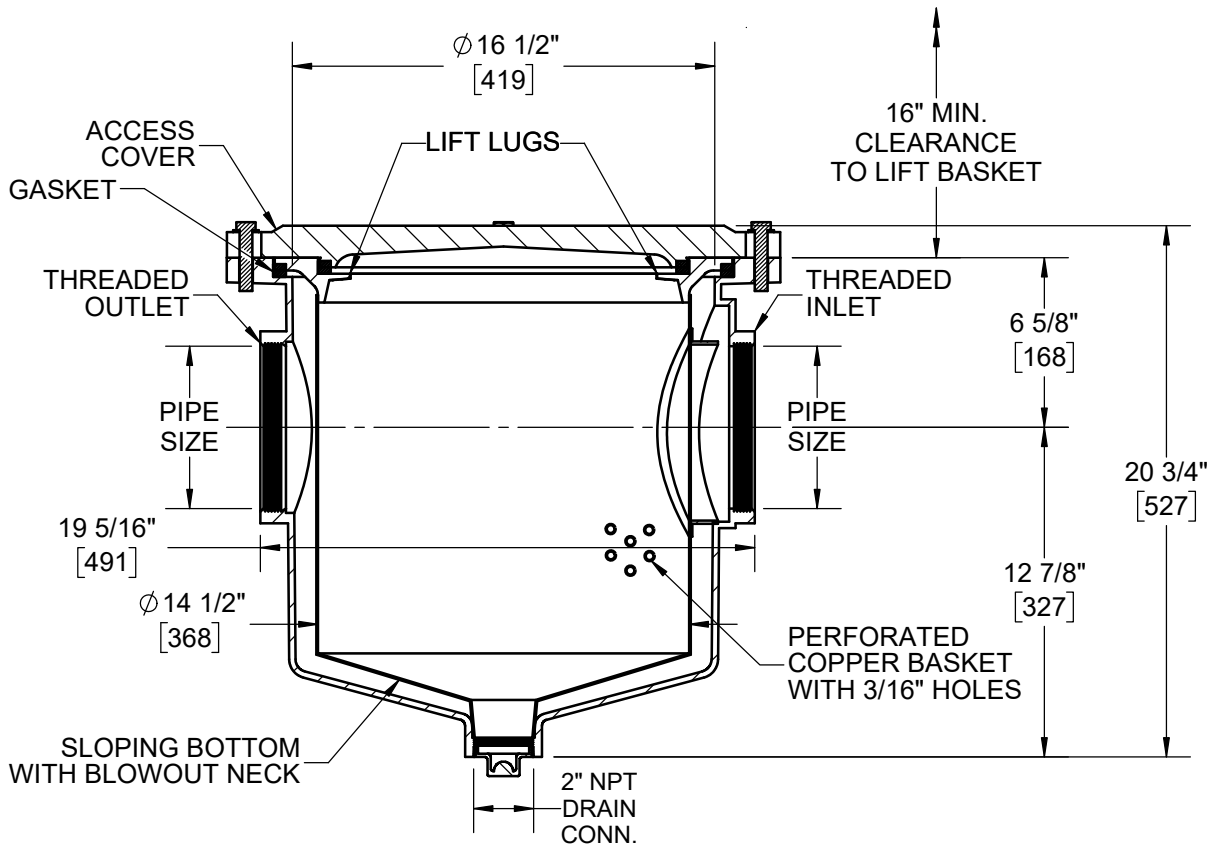
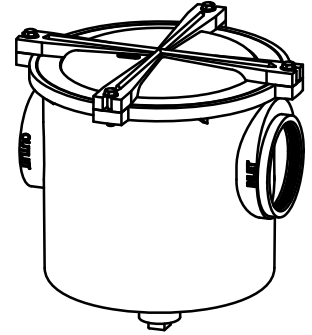
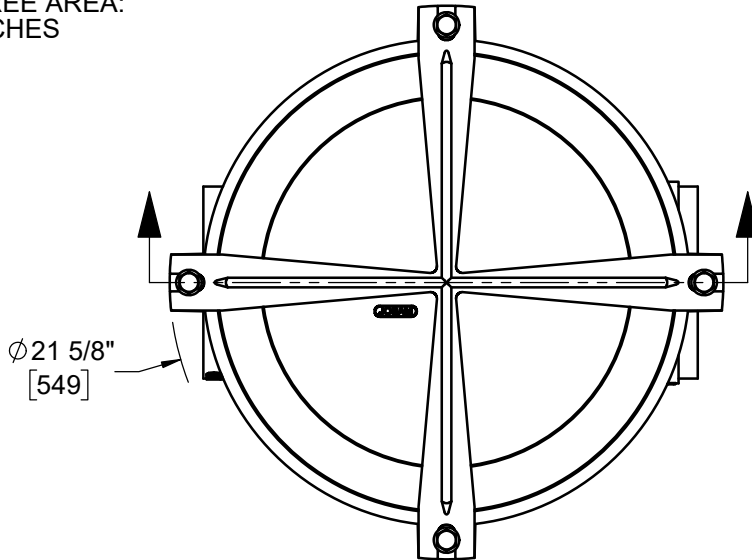
JOSAM 61080 SERIES CAST IRON SOLIDS INTERCEPTOR WITH ACID RESISTING COATING, TOP ACCESS, IN-LINE TYPE, THREADED CONNECTIONS, 2" THREADED DRAIN OR BLOW-OFF CONNECTION, REMOVABLE PERFORATED COPPER BASKET WITH CONICAL SOLID BOTTOM, GASKETED CAST IRON SUPPORT RIM AND GASKETED COVER SEATED ON BASKET SUPPORT RIM SECURED WITH HEX HEAD BOLTS.

**SOLIDS INTERCEPTOR
TOP ACCESS IN-LINE TRAP**

SERIES

61080

BASKET FREE AREA:
250 SQ. INCHES



-4	GALVANIZED CAST IRON PARTS
-15	STAINLESS STEEL BASKET
-86	FLAT BOTTOM BASKET

PIPE SIZE
4"
5"
6"

WARNING: Cancer and Reproductive Harm - www.P65Warnings.ca.gov

DATE OF LAST CHANGE: 06/18/18

DIMENSIONS ARE SUBJECT TO MANUFACTURERS TOLERANCES AND CHANGE WITHOUT NOTICE. WE CAN ASSUME NO RESPONSIBILITY FOR USE OF SUPERSEDED OR VOID DATA.



MICHIGAN CITY, INDIANA

NOTES