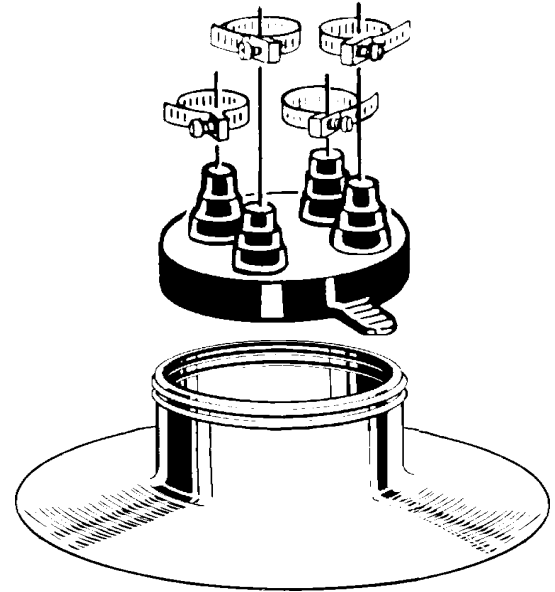




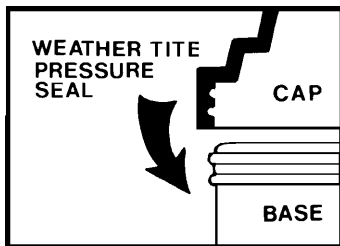
Alumi-Flash Extra Wide (EW) with C- 412 Cap

SPECIFICATION

Furnish and install the Portals Plus Extra Wide Alumi-Flash as manufactured by Portals Plus, Inc., Bensenville, IL, at all points where up to four pipes 1" - 2" in diameter penetrate the roof. The Extra Wide Alumi-Flash shall include a .060" spun aluminum base unit with a height of 4" and a base diameter of 18". The 8" collared opening shall have two beaded sealing rings roll formed into the top edge. An EPDM (Ethylene Propylene Diene Monomer) compression molded cap model C-412 shall be utilized. All Caps shall include Portals Plus' stainless steel Snaplock Clamps. Attachment and installation of the Extra Wide Alumi-Flash shall be done in accordance with Portals Plus' instructions and the roofing membrane manufacturer's recommendations.



NOTE: All dimensions are I.D. of conical shaped nipples



MIN. MAX.

1.30" - 1.70"

1.80" - 2.00"

2.25" - 2.40"

