

SPEAKMAN®

S-3345-CA, S-3345-CA-E

Installation, Maintenance & Operation Instructions

COMMANDER® HEALTHCARE DECK MOUNTED GOOSENECK SPOUT

DESCRIPTION

Speakman chrome plated brass deck mounted swivel / rigid COMMANDER® gooseneck spout. ½" NPSM inlet with coupling nut. 8" center to center. Water conserving AUTOFLO device reduces flow to 1.5 GPM / 5.7 LPM maximum to meet existing ANSI A112.18.1M Standard.

SPECIFICATIONS

INLET SUPPLY: COUPLING OR SWEAT CONNECTIONS.

SHIPPING WEIGHT: 1.5 LBS.

STATIC PRESSURE: 20-80 PSI

INSTALLATION

Apply sealant around base underside of flange assembly. Position assembly in hole of sink or countertop and push down firmly to seal. From under sink slip cup washer onto shank of flange. Screw shank nut on and tighten. Wipe off excess sealant from around flange base. Connect water supply line to shank and tighten coupling nut. For rigid gooseneck, locking washer is placed in flange assembly before assembling gooseneck. Swivel gooseneck, the washer is not used. Assemble gooseneck and wrench tighten collar nut.

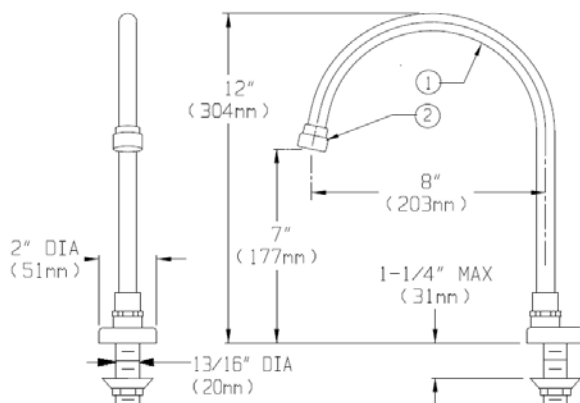
MAINTENANCE

The gleaming finish of your SPEAKMAN COMMANDER® HEALTHCARE gooseneck spout can be cleaned by using mild soap and warm water. Dry immediately with a soft, clean cloth for best results.

REPAIR/REPLACEMENT PARTS

ITEM NUMBER	PART NUMBER	DESCRIPTION
1	G18-0217-CA	GOOSENECK ASSEMBLY
2	RPG05-0837-PC	1.5 GPM AERATOR
3	RPG05-0851-PC	1.5 GPM LAMINAR FLOW OUTLET ASSEMBLY
4	RPG38-0128-PC	0.5 GPM SPRAY OUTLET - "E" MODELS

ROUGH-IN MEASUREMENTS



NOTES:

1. ALL DIMENSIONS ARE IN INCHES (MILLIMETERS) UNLESS OTHERWISE SPECIFIED AND ARE SUBJECT TO CHANGE WITHOUT NOTICE.
2. INLET IS SIZED FOR EITHER COUPLING OR SWEAT CONNECTIONS.

SPEAKMAN®

400 Anchor Mill Rd. New Castle, DE 19720 Phone: 800-537-2107 Fax: 800-977-2747

12/11/17 www.speakman.com 92-S-3345-07