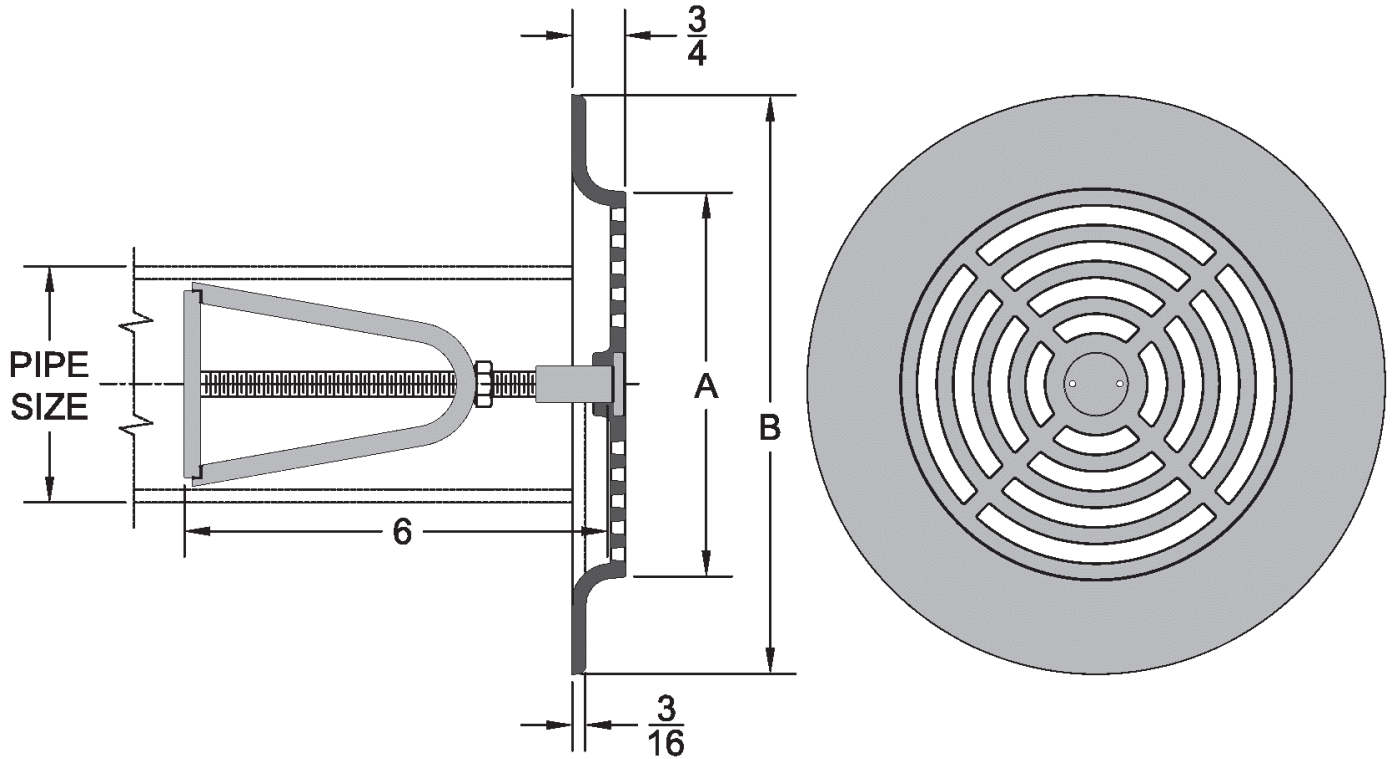


3880 Fresh Air Inlet

Project		Engineer		Mechanical	
---------	--	----------	--	------------	--



Pipe Size	A	B	-1 Satin Finish Nickel Bronze	-2 Satin Finish Bronze	Grate Free Area (Sq. In.)
3"	5-1/2	8-1/4			10.3
4"	5-1/2	8-1/4			10.3
5"	5-1/2	8-1/4			10.3
6"	9-1/2	12-1/4			33.6
8"	9-1/2	12-1/4			33.6
10"	12-5/8	15-1/4			60.5
12"	12-5/8	15-1/4			60.5

Regularly Furnished: Fresh air inlet with adjustable pipe expander.

Suffix Options		
Suffix	Description	
-39	Galvanized Pipe Expander	•
-59	Less Pipe Expander w/ Mounting Holes in Flange	
-78	Spanner Wrench	
-102	Chrome Plated	