

SPECIFICATION:

JOSAM 17560 SERIES FLOOR MOUNTED SINGLE CARRIER WITH BEARING PLATES, ADJUSTABLE SUPPORTING RODS, STRUCTURAL UPRIGHTS AND WELDED FEET.

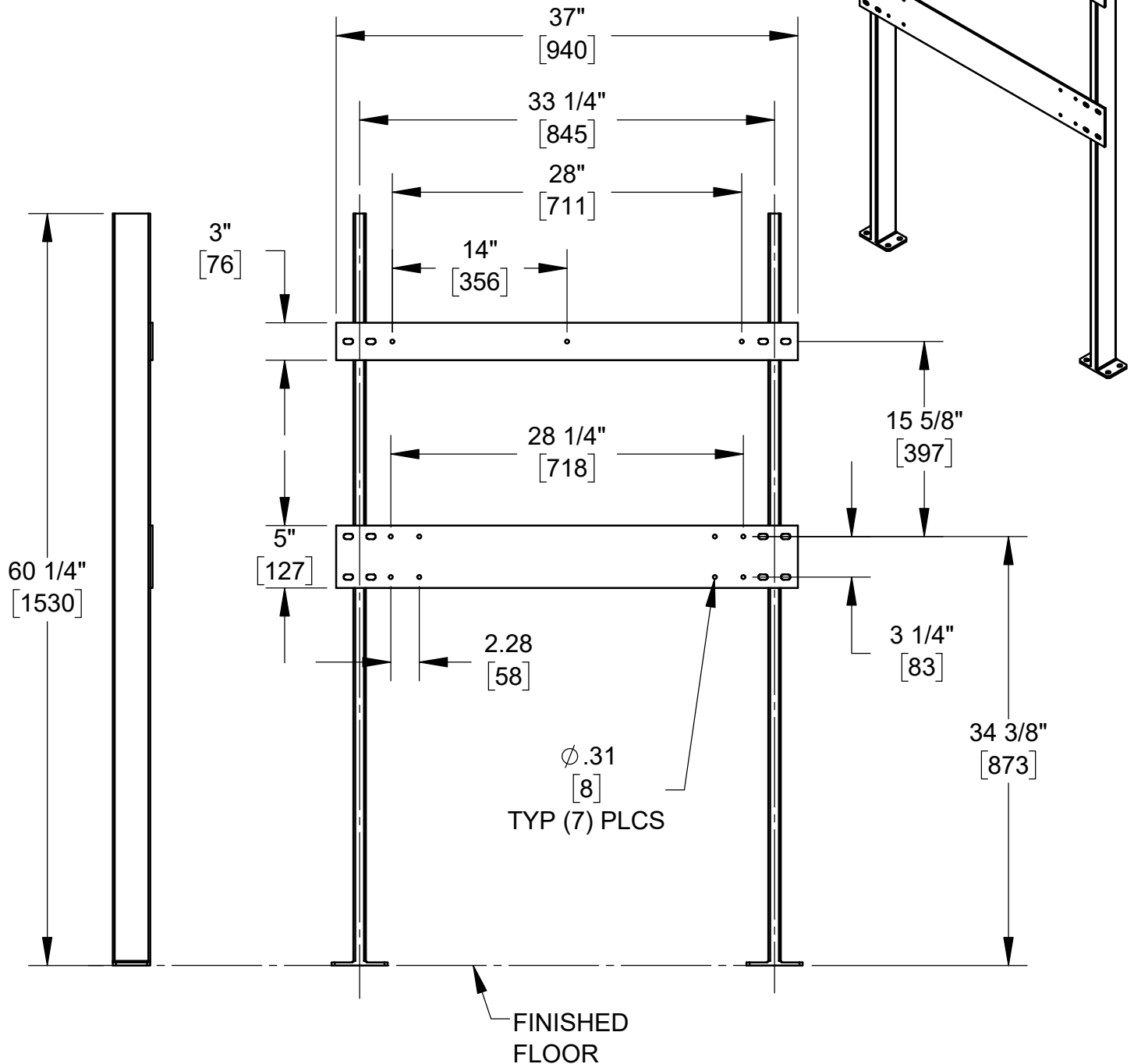
LAVATORY CARRIER

FLOOR-MOUNT BEARING PLATE

SERIES **17560-M1715**

NOTES:

1. HARDWARE SUPPLIED NOT SHOWN.
2. FOR FUTURE HEALTH CONCEPTS FHCSS32.
3. RECOMMEND FEET TO BE SECURED TO FLOOR WITH 1/2" BOLTS AND ANCHORS BY OTHERS.



WARNING: Cancer and Reproductive Harm - www.P65Warnings.ca.gov

DATE OF LAST CHANGE: 06/01/18

DIMENSIONS ARE SUBJECT TO MANUFACTURERS TOLERANCES AND CHANGE WITHOUT NOTICE. WE CAN ASSUME NO RESPONSIBILITY FOR USE OF SUPERSEDED OR VOID DATA.



NOTES