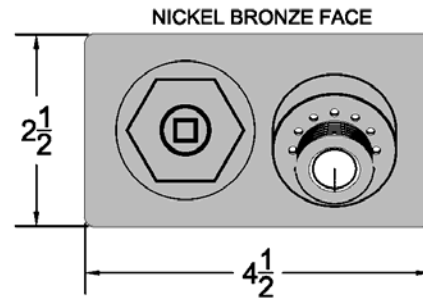
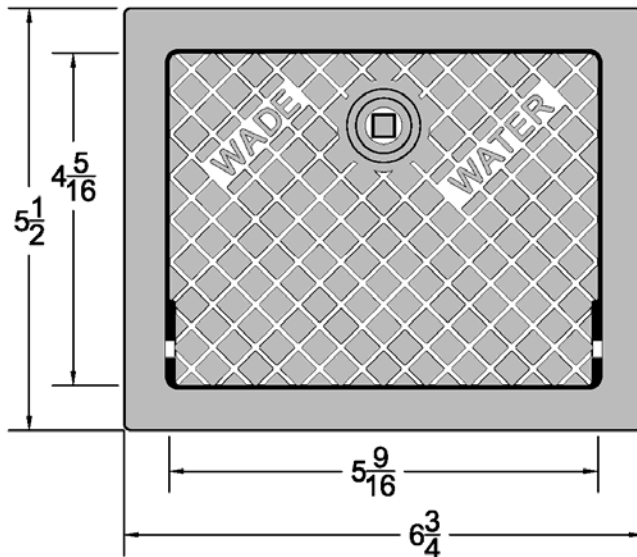
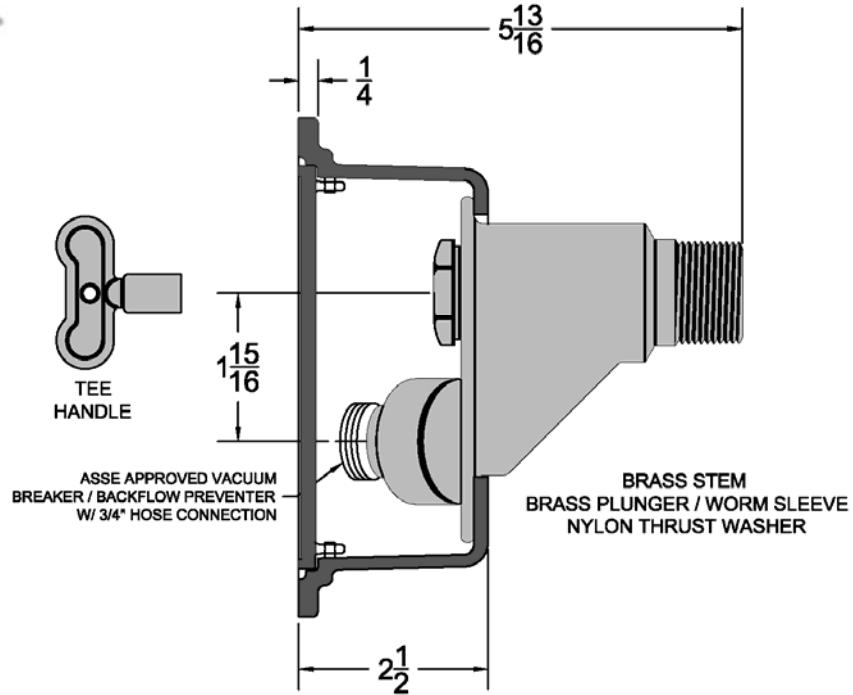


8707 Encased Mild Temperature Wall Hydrant

Project	Engineer	Mechanical
---------	----------	------------



8707-1



Wall Thickness	Box Material			
	-1 Satin Finish Nickel Bronze	-2 Satin Finish Bronze	-85 Satin Finish Stainless Steel	-102 Chrome Plated
Close Coupled				

Suffix Options		
Suffix	Description	•
-WK02	Repair Kit (Less Rod)	
-88	3/4" Solder Inlet*	
-90	1" Hose Connection*	
-92	Key Operated Cylinder Lock	

Regularly Furnished: Mild Temperature wall hydrant with compression closure valve, bronze casing, 3/4" hose connection, box with hinged cover, & anti-siphon backflow preventer.

Maximum Working Pressure: 125 PSI

**Dimensions vary from illustration*