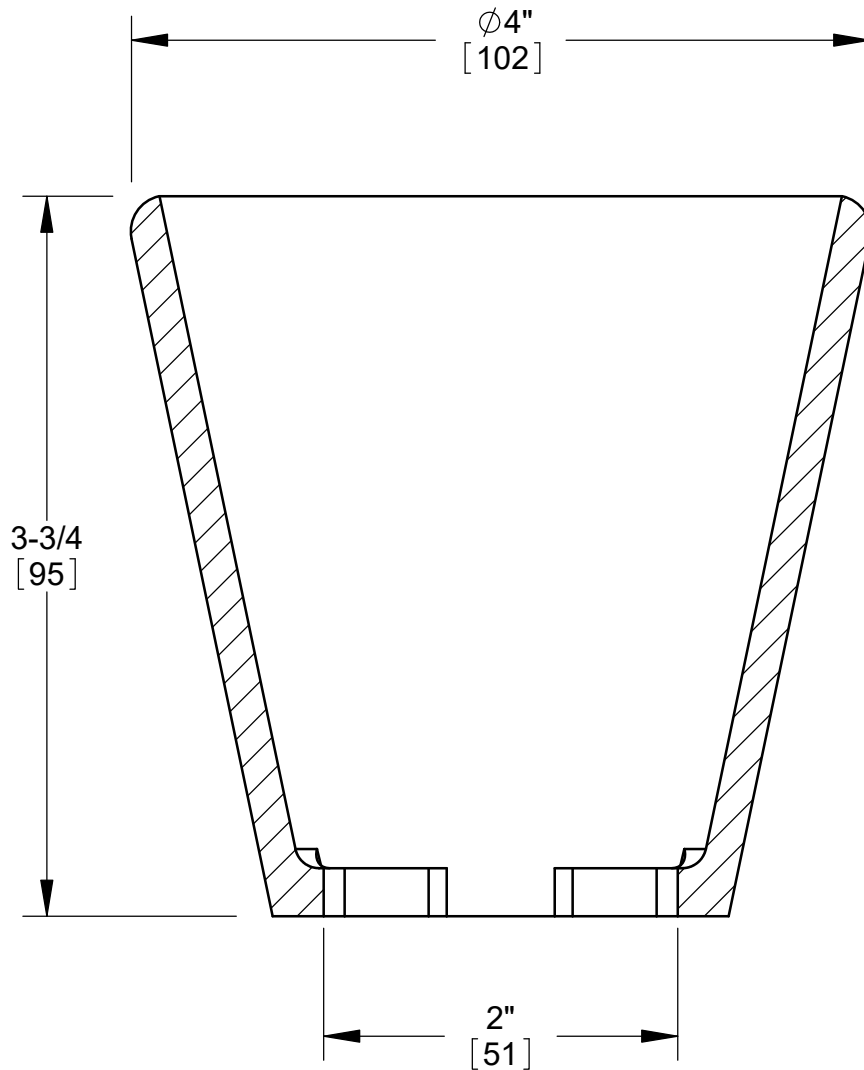
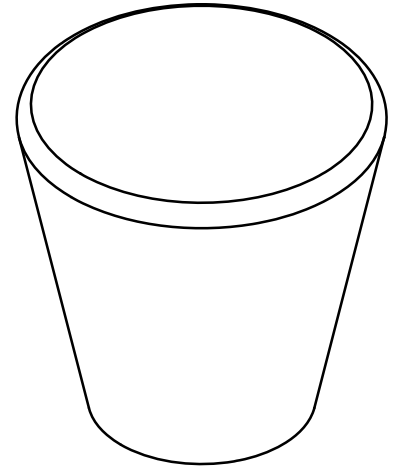


SPECIFICATION:

JOSAM SERIES "F4" COATED CAST IRON ROUND FUNNEL FOR ATTACHMENT TO ANY FLAT GRATE BY SECURING SCREWS (SCREWS NOT SHOWN)

**FLOOR DRAIN
FUNNEL**

SERIES **F4-93**



WARNING: Cancer and Reproductive Harm - www.P65Warnings.ca.gov

DATE OF LAST CHANGE: 07/13/18

DIMENSIONS ARE SUBJECT TO MANUFACTURERS TOLERANCES AND CHANGE WITHOUT NOTICE. WE CAN ASSUME NO RESPONSIBILITY FOR USE OF SUPERSEDED OR VOID DATA.

JOSAM

MICHIGAN CITY, INDIANA

NOTES