

Location: _____

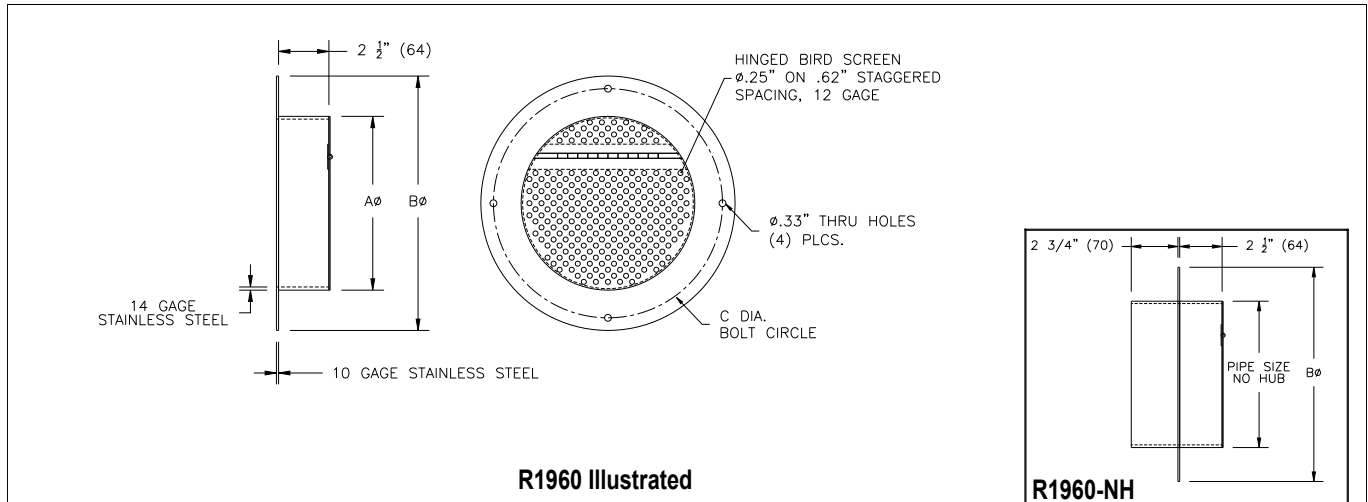


R1960

DOWNPOUT NOZZLE WITH PERFORATED COVER

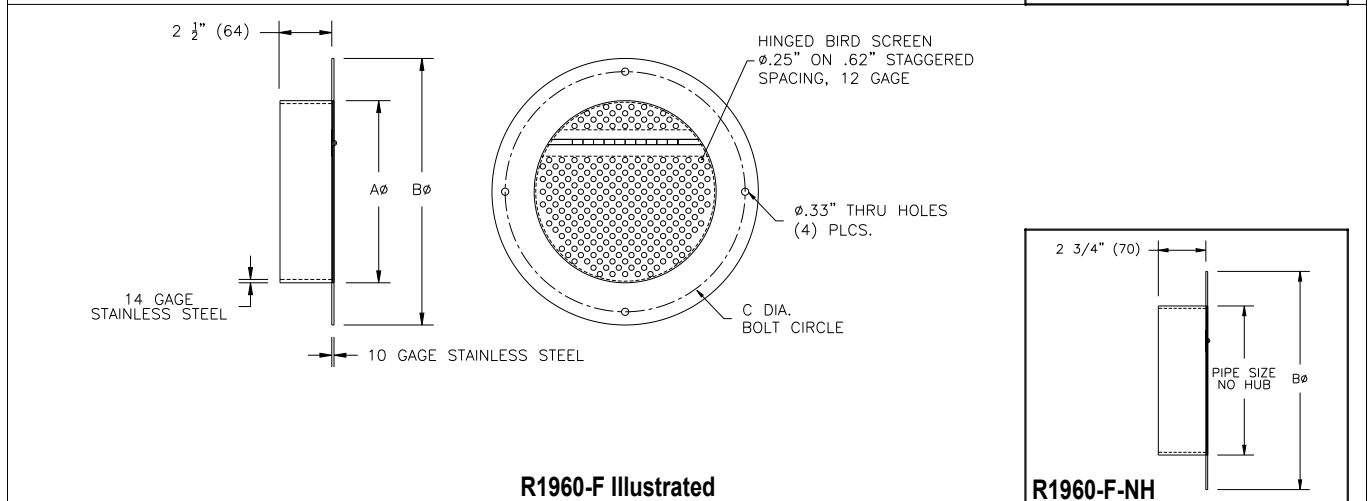
Specification: MIFAB® Series R1960 fabricated Type 304 stainless steel downspout nozzle with hinged perforated bird screen cover in standard and flush models (Suffix -F). Are made to receive PVC, ABS or cast iron pipe inside the “A” dimension. The R1960 models “sleeve over the pipe sticking out of the wall. The R1960-F models sleeve over the pipe and are flush with the wall.

Function: Used as a downspout cover on a wall where an overflow roof drain lead discharges rainwater to the ground. Made of round fabricated stainless steel frame with a fabricated securely welded perforated stainless steel hinged bird screen strainer. This Series also offers a “flush to the wall” model (Suffix -F) as well.



R1960 Illustrated

R1960-NH



R1960-F Illustrated

R1960-F-NH

PIPE SIZE	“A”	“B”	“C”
3” (76)	4 1/4” (108)	7 3/4” (197)	6” (150)
4” (102)	5 1/4” (133)	8 3/4” (222)	7 1/16” (181)
6” (152)	7 3/8” (187)	10 7/8” (276)	9” (230)
8” (203)	9 3/8” (238)	12 7/8” (327)	11 1/4” (285)
10” (254)	11 1/2” (292)	15” (381)	13 1/2” (345)
12” (305)	13 1/2” (343)	17” (432)	15 1/2” (395)
15” (381)	16 5/8” (422)	20 1/16” (511)	18 1/2” (470)

Suffix	Optional Variations
-6	Vandal proof
-49	Chrome plated
-BA	Buy America Act compliant product
-F	Flush mounting design
-NH	No hub outlet
-PA	Pennsylvania Steel Act compliant product

CALIFORNIA PROPOSITION 65 WARNING. This product contains chemicals known to the State of California to cause cancer and birth defects or other reproductive harm.

Job Name: _____ Page No: _____
 Section No: _____ Contractor: _____
 Schedule No: _____ Purchase Order No: _____

MIFAB® reserves the right to make changes in material and design without formal notice and obligation.