

F

SMITH® JAY R. SMITH MFG. CO.®
 MEMBER OF MORRIS GROUP INTERNATIONAL
 POST OFFICE BOX 3237
 MONTGOMERY, ALABAMA 36109-0237 (USA)
 TEL: 334-277-8520 FAX: 334-272-7396 www.jrsmith.com



LOCATION

LABOR SAVER® URINAL SUPPORTS FOR OFF-THE-FLOOR URINALS

WITH HANGER PLATE FOR BLOWOUT AND WASHOUT URINALS WITH WALL HANGERS

DRAWING NUMBER
S0616

SIZE
A

SCALE:
NONE

DATE:
12/28/00

APPROVED BY:
AM


CHECKED BY:
CR

DRAWN BY:
JJ

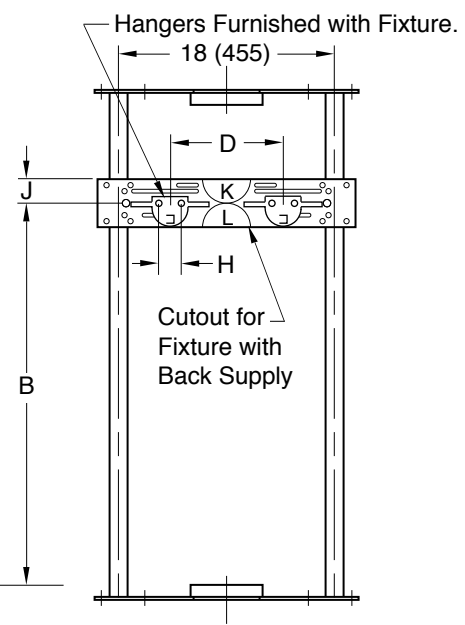
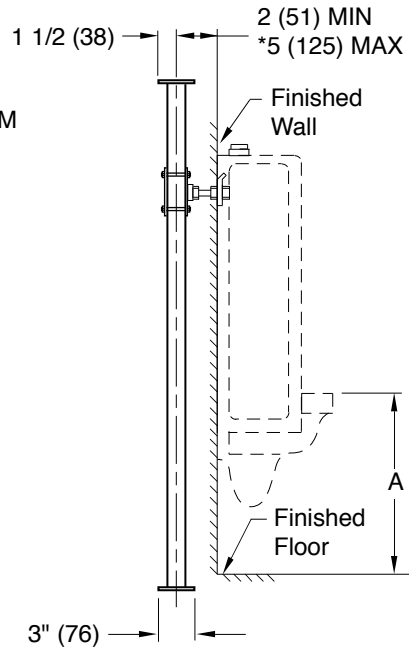
FIGURE NUMBER
0616

WE CAN ASSUME NO RESPONSIBILITY FOR USE OF SUPERSEDED OR VOID DATA

Complies with
ASME A112.6.1M



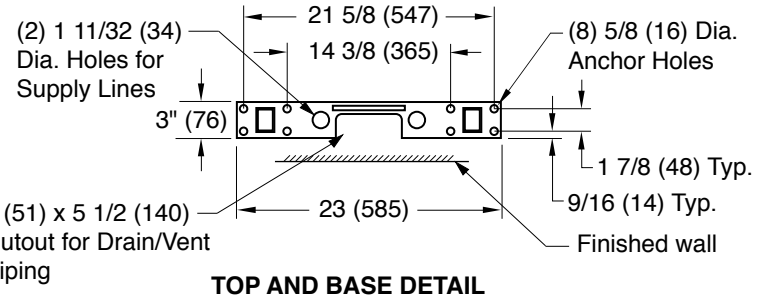
File 1618



NOTE: *This dimension can be increased when fixture support is to be installed behind the wall (specify when required and wall thickness).

NOTE: Dimensions shown in parentheses are in millimeters.

NOTE: The rough-in dimensions listed on this drawing are based on current information available to Jay R. Smith by the fixture manufacturers. We recommend that you verify these dimensions with the fixture manufacturer. We will not accept responsibility for rough-in dimension changes by the fixture manufacturer.



ROUGH-IN TABLE

FIXTURE MFG.	NAME	NUMBER	SIZE	CUTOUT FOR INLET	
A	B	D	H	J	L

F	9-18-18	Added UPC Compliance	TBW	CL	WEIGHT POUNDS	VOLUME CUBIC FEET	FIGURE NUMBER 0616
E	01/20/11	Updated Logo	JJ	TW			
D	9-27-10	Added ® to LABOR SAVER	RN	CL			
C	5-9-03	Removed C,E,F,G in Table	RN	AM			
REV.	DATE	DESCRIPTION	BY	CKD. BY			