



# HYDRANTS

## SafeWater™ ADA Hydrant MODELS M-NPL75A AND M-NPL75B 3/4" FREEZE RESISTANT POST HYDRANT NON-POLLUTABLE, LEVER-OPERATED

### STANDARD FEATURES

Models M-NPL75A and M-NPL75B deliver year-round service outside or in unheated buildings. The control valve is located below the frost line. Raising the lever opens the valve and lowering the lever shuts water off. The lever may be locked closed with a padlock (not included).

Model M-NPL75A is turned on by raising the handle straight up. The hydrant will stay open if the handle is turned further to the left.

Model M-NPL75B is turned on by raising the handle straight up. The handle will not go to the stay-open position and the water will turn off if the user lets go of the handle.

After use, water inside the supply column is stored in a reservoir below the frost line and is expelled through the nozzle at the beginning of the next usage. This potable hydrant is protected against any surface or underground contamination. Recommended maximum operating pressure is 80 psi.

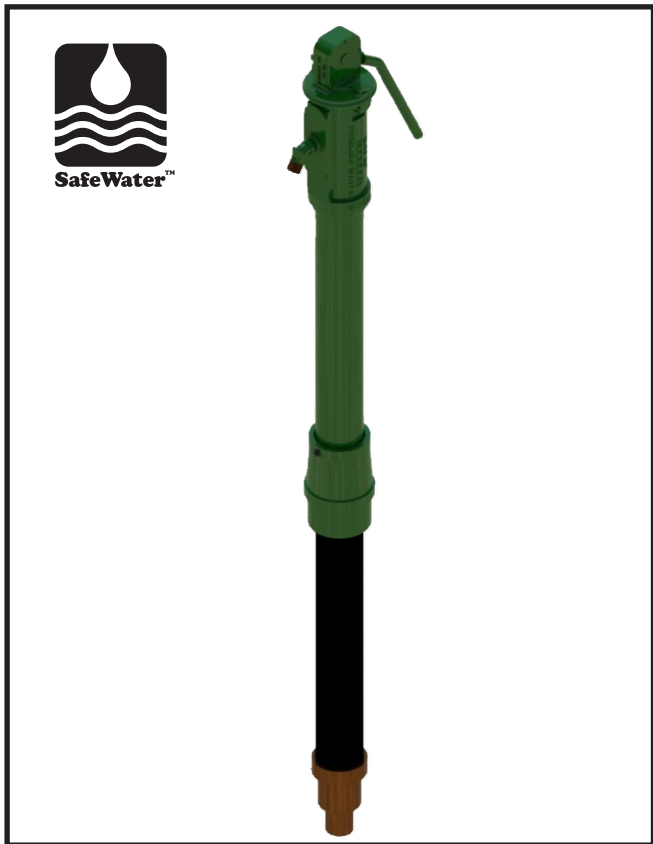
These models meet ADA requirements with the handle taking less than 5 pounds of force. The nozzle is located 28" minimum above the ground.

### SUGGESTED SPECIFICATIONS

Hydrant shall be Murdock model M-NPL75A or M-NPL75B. Lever-operated hydrant shall be ASSE 1057 certified as a potable hydrant. Hydrant shall not operate using venturi action. Unit shall be capable of year-round use in freezing weather. Hydrant shall have a flow rate of 2.5 gpm at 30 psi. Hydrant shall be serviceable from above grade.

Unit shall extend below grade level so that supply inlet, valve and reservoir are positioned below frost line. During shutoff, a piston shall draw water from the supply column into a reservoir. At the next usage, the piston shall expel the water in the reservoir through the nozzle before fresh water flows. The water supply shall be protected against any surface or underground contamination.

Stock, top, base and handle shall be fabricated of heavy, one-piece iron castings finished with a heavy grade of oil-based green enamel. Solid brass castings in nozzle and inner supply assembly shall conform to ASTM standards B61 and B62. Lead-free castings shall be used in all waterways. Nozzle shall have a plain, un-threaded outlet.



### MODEL: *(Must Specify)*

- M-NPL75A Stay-Open Hydrant
- M-NPL75B Self-Closing Hydrant

### DEPTH OF BURY *(additional costs may be incurred)*

- 2 ft. (61 cm)
- 3 ft. (91.4 cm)
- 4 ft. (121.9 cm)
- 5 ft. (152.4 cm)
- 6 ft. (182.9 cm)

### OPTIONS *(additional costs may be incurred)*

- VB Nozzle with 3/4" Threaded Outlet and ASSE 1011 Vacuum Breaker



Complies with the following standards:



Certified by:



**WARNING:** Cancer and Reproductive Harm - [www.P65Warnings.ca.gov](http://www.P65Warnings.ca.gov)

MURDOCK MFG. • 15125 Proctor Avenue • City of Industry, CA 91746 USA  
Phone 800-453-7465 or 626-333-2543 • Fax 626-855-4860 • [www.murdockmfg.com](http://www.murdockmfg.com)

Member of MORRIS GROUP INTERNATIONAL

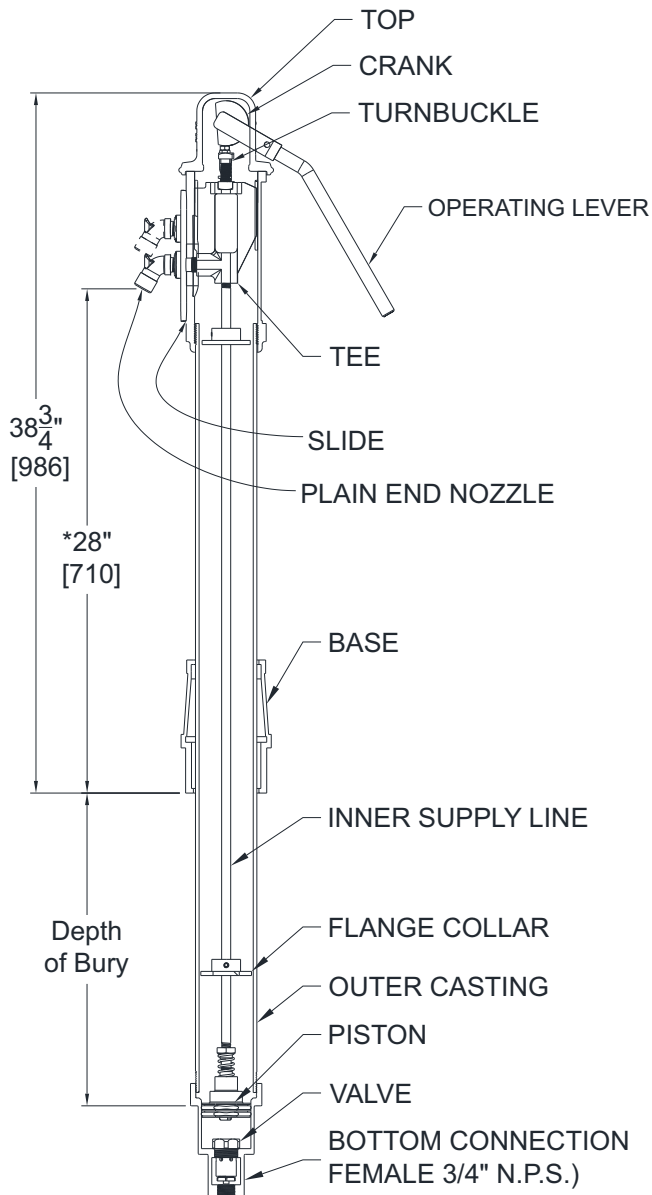


# HYDRANTS

## SafeWater™ Hydrant

### MODEL M-NPL75A/B

3/4" FREEZE RESISTANT POST HYDRANT  
NON-POLLUTABLE, LEVER-OPERATED



\*HEIGHT OF BRASS NOZZLE CHANGES FROM 28" TO 30" WHEN IT IS IN THE "OFF" POSITION.

Murdock Mfg.™ warrants that its products are free from defects in material or workmanship under normal use and service for a period of one year from date of shipment. Murdock's liability under this warranty shall be discharged solely by replacement or repair of defective material, provided Murdock™ is notified in writing within one year from date of shipment, F.O.B. Industry, California.

<b>SELECTION SUMMARY &amp; APPROVAL FOR MANUFACTURING</b>	Model Number & Options _____	Quantity _____	<p>All dimensions are subject to manufactures tolerance of plus or minus 1/2" nominal and subject to change without notice. Murdock assumes no responsibility for use of void or superseded data. Dimensions may change with the addition of optional accessories. Murdock Mfg.™, Member of Morris Group International™. Please visit <a href="http://www.murdockmfg.com">www.murdockmfg.com</a> for most current specifications.</p>
	Company _____		
	Contact _____	Title _____	
	Signature (Approval for Manufacturing) _____	Date _____	

**MURDOCK MFG.** • 15125 Proctor Avenue • City of Industry, CA 91746 USA  
Phone 800-453-7465 or 626-333-2543 • Fax 626-855-4860 • [www.murdockmfg.com](http://www.murdockmfg.com)

Member of MORRIS GROUP INTERNATIONAL