

SPEAKMAN®

Rainier Collection Combination Series SM-8030-P

DESCRIPTION

Speakman Rainier Collection Combination Series unites the best products included in our Rainier Series. The combination begins with our anti-scald balanced pressure valve with integral stops, featuring a brass body and adjustable temperature limit stop. The wall plate and handle are designed with definitive Rainier Collection styling. Piston type pressure balancing/ceramic regulating cartridge assembly with built-in check valves. Meets ASME A112.18.1 / CSA B125.1 & ASSE 1016 standards. Also provided is the S-2550 brass 7" shower arm with brass wall flange. The featured product in the Rainier Collection Combination Series is the ANYSTREAM® S-3018 showerhead with a 2½" spray adjustment lever. Five self-cleaning plunger nozzles resist scale build-up and provide 50 spray streams for a full body coverage pattern. The center core nozzle delivers 8 massaging jets and a combination spray is included. Water-conserving pressure compensating AUTOFLO® device reduces flow to 2.5 GPM / 9.46 LPM maximum, to meet existing ANSI A112.18.1 Standard. Also included in this package is the brass S-1564 Rainier tub spout, which features an integrated diverter, matched to the style of the other combination pieces.

SPECIFICATIONS

SM-8000-P Anti-Scald Balanced Pressure Valve:

Connections: ½" female copper sweat inlets & shower outlet; ½" NPT female tub outlet

Flow Rate: For use with showerheads rated at 2.0 GPM (7.6 LPM) or higher

S-3018 Showerhead:

Supply: ½" NPT female

Flow Rate: 2.5 GPM / 9.46 LPM MAX

S-2550 Shower Arm:

Supply: ½" NPT male inlet

Outlet: ½" NPT male outlet

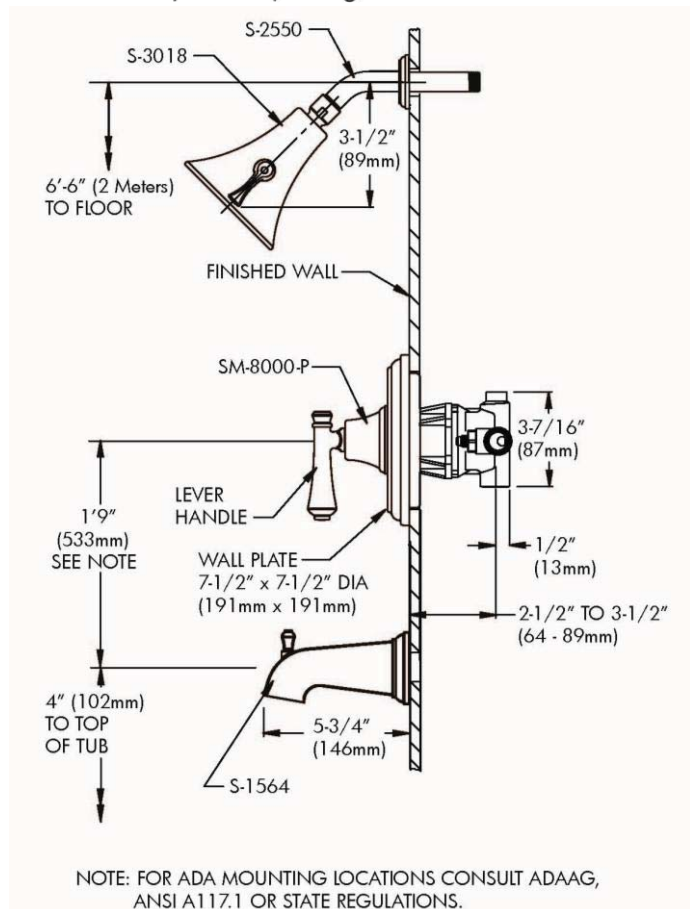
S-1564 Tub Spout with Diverter:

Supply: ½" copper pipe slip fit

INSTRUCTIONS

See individual products for installation of the components and warranty information.

ROUGH-IN



SPEAKMAN®

400 Anchor Mill Rd. New Castle, DE 19720
03/12 Visit us on the web at www.speakmancompany.com

Phone: 800-537-2107

Fax: 800-977-2747
IOM-SM-8030