



# BOTTLE FILLER

## BF38 Series

### MODEL A000000-BF38

SEMI-RECESSED PUSHBUTTON OPERATED BOTTLE FILLER

#### STANDARD FEATURES

- 100 mesh inlet strainer
- Laminar Flow Water Supply
- 1 G.P.M. Fill Rate
- Lead Free
- Hinged Door
- Key Latch
- Meets ADA Forward and Side Reach Requirements
- Ligature-Resistant Design
- Vandal-Resistant Design

#### SUGGESTED SPECIFICATIONS

Model BF38 is Semi-Recessed pushbutton operated electric bottle filler that shall deliver a minimum of 8.0 GPH (30.3 LPH) of water at 50°F (10°C) cooled from 80°F (26.7°C) inlet water and 90°F (32.2°C). Bottle Filler can be mounted in a 4" or larger wall space for simple installation virtually anywhere. Housing has a slim and trim look that blends into your environment. Unit also has a strong, ligature resistant, and vandal-resistant design for years of trouble-free service. When installed properly, the bottle filler complies with ADA forward and side reach requirements. Unit includes an ADA compliant pushbutton requires less than 5 pounds push to activate valve. Bottle filler is fabricated of type 304 stainless steel polished to a satin finish. Unit is certified to ANSI A117.1, Public Law 111-380 (NO-LEAD), CHSC 116875 and NSF/ANSI 61, Section 9.



Model BF38 Shown

**"INDOOR USE ONLY"**

#### OPTIONS

(additional costs may be incurred)

- BF38 18 Gage 304 Stainless Steel

#### OPTIONS

(additional costs may be incurred)

- CG1 Custom Graphics
- EG Enviro-Glaze  
Specify Color: \_\_\_\_\_
- WF1 1500 gallon capacity, NSF 42+53,  
1 micron lead reduction water filter

Water Chiller Specifications:				
Model Number	GPH*	Rated Watts	Full Load Amps	Approx. Shipping Weight
A9100080	8.0	390	4.6	48 lbs.

\* GPH of 50°F water at 90°F ambient room temperature and 80°F inlet water temperature  
Compressor motor operates on 115 Volt / 60 Hz single phase.

Complies with the following standards:

Test rating conditions are compliant with ARI 1010.



Member of U.S. Green Building Council



Recyclable Product



Water Conserving Product

**WARNING:** Cancer and Reproductive Harm - [www.P65Warnings.ca.gov](http://www.P65Warnings.ca.gov)

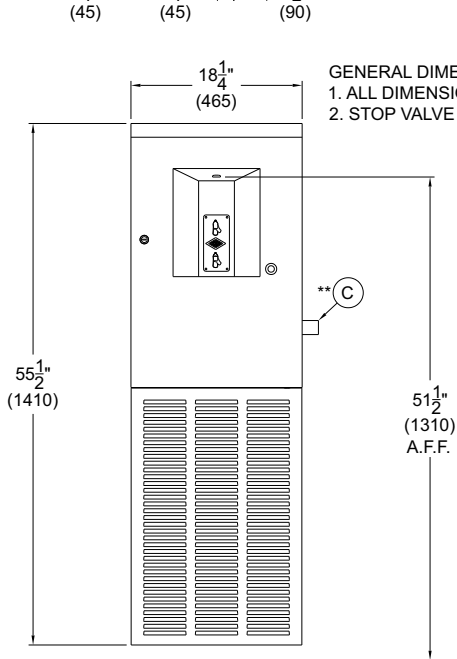
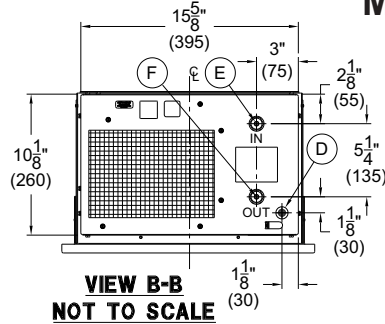
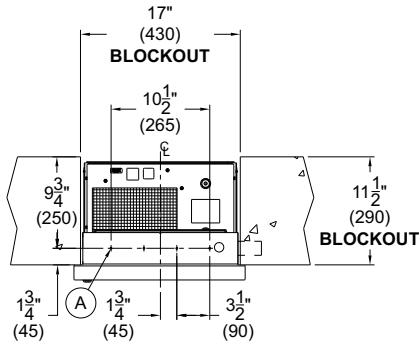
MURDOCK MFG. • 15125 Proctor Avenue • City of Industry, CA 91746 USA  
Phone 800-453-7465 or 626-333-2543 • Fax 626-855-4860 • [www.murdockmfg.com](http://www.murdockmfg.com)

Member of MORRIS GROUP INTERNATIONAL

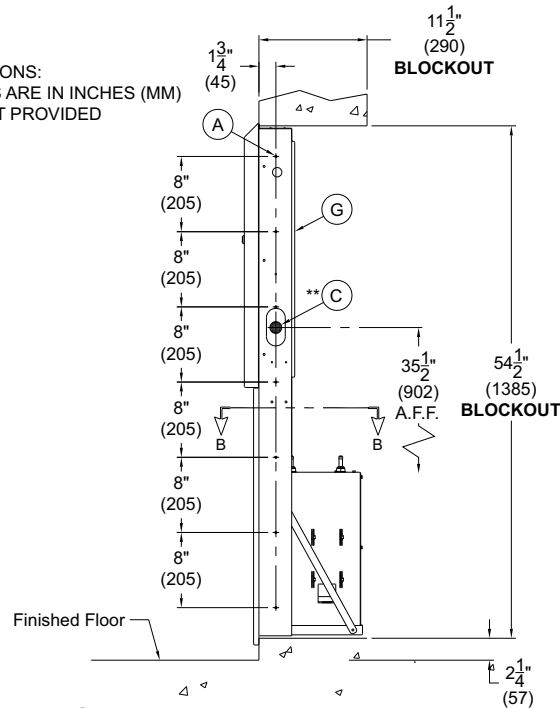


# BOTTLE FILLER

## BF38 Series MODEL A000000-BF38 SEMI-RECESSED PUSHBUTTON OPERATED BOTTLE FILLER



GENERAL DIMENSIONS:  
1. ALL DIMENSIONS ARE IN INCHES (MM)  
2. STOP VALVE NOT PROVIDED



- (A) 1/4" PUNCHING, 22 PLACES FOR ANCHORING HARDWARE BY OTHERS
- (B) 3/8" OD COPPER SUPPLY INLET
- (C) 1-1/4" O.D. WASTE OUTLET
- (D) ELECTRICAL SERVICE ROUGH

- (E) 3/8" OD COPPER SUPPLY INLET (CHILLER)
- (F) 3/8" OD COPPER SUPPLY OUTLET (CHILLER)
- (G) -MF10 MOUNTING FRAME ASSEMBLY

**NOTE:** RIGHT, LEFT, AND REAR WASTE ORIENTATION ARE OPTIONAL IF NEEDED FOR CALLOUTS INDICATED \*\*.

Murdock Mfg.™ warrants that its products are free from defects in material or workmanship under normal use and service for a period of one year from date of shipment. Murdock's liability under this warranty shall be discharged solely by replacement or repair of defective material, provided Murdock™ is notified in writing within one year from date of shipment, F.O.B. Industry, California.

SELECTION SUMMARY & APPROVAL FOR MANUFACTURING

Model Number & Options \_\_\_\_\_ Quantity \_\_\_\_\_

Company \_\_\_\_\_

Contact \_\_\_\_\_ Title \_\_\_\_\_

Signature (Approval for Manufacturing) \_\_\_\_\_ Date \_\_\_\_\_

All dimensions are subject to manufactures tolerance of plus or minus 1/2" nominal and subject to change without notice. Murdock assumes no responsibility for use of void or superseded data. Dimensions may change with the addition of optional accessories. Murdock Mfg.™, Member of Morris Group International™. Please visit [www.murdockmfg.com](http://www.murdockmfg.com) for most current specifications.