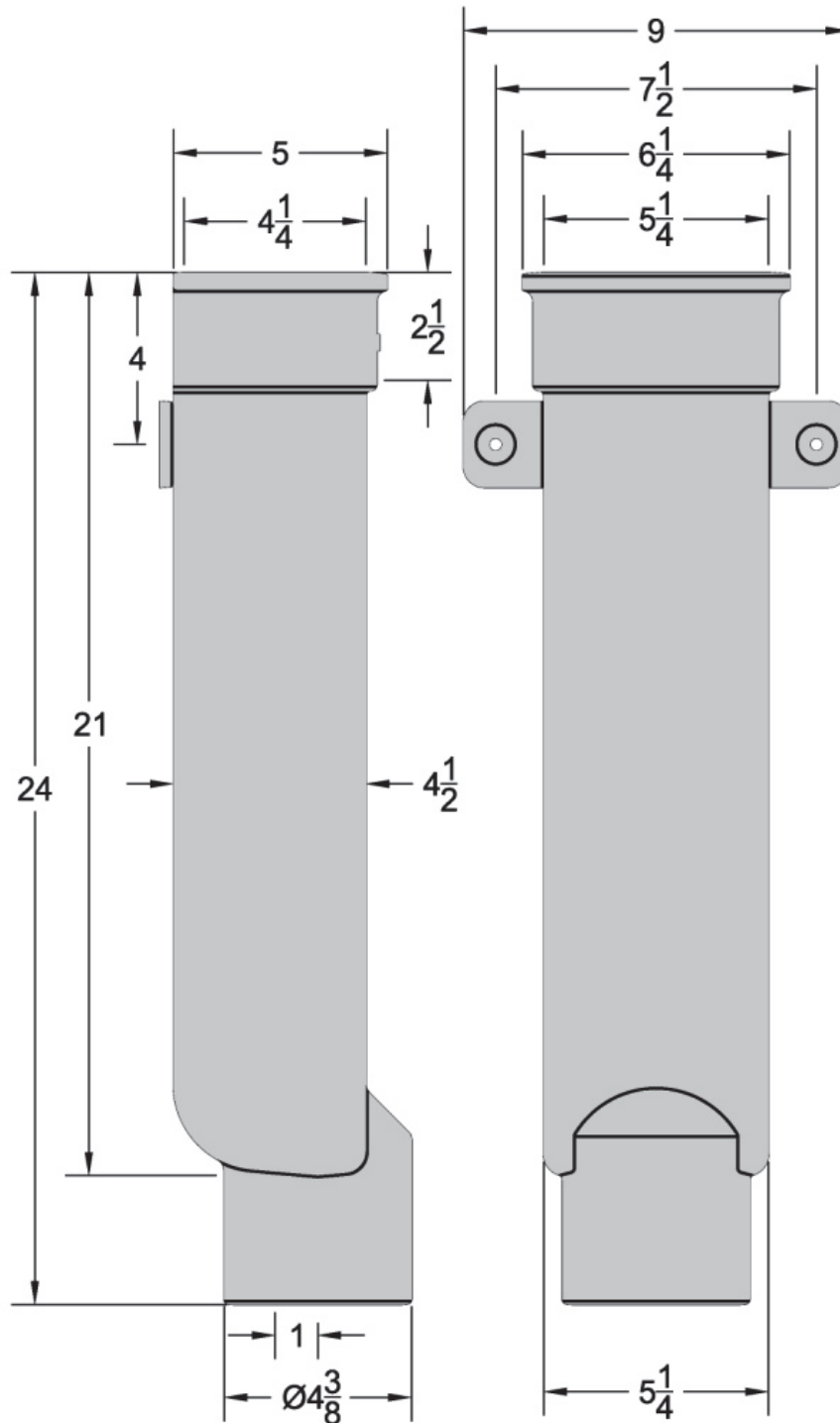


3930 Downspout Boot

Project		Engineer		Mechanical	
---------	--	----------	--	------------	--



3930	•
4"	

Regularly Furnished: Cast iron downspout boot with bottom outlet & securing strap for 1/4" flat head bolts.

Outlet Variations	
Type	Designation
No-Hub	4NH

Suffix Options		
Suffix	Description	•
-CO	Cleanout Access & Plug	
-39	Galvanized Cast Iron	