



BOTTLE FILLER

BF48 Series

MODEL A000000-BF48

SEMI-RECESSED SENSOR OPERATED
BOTTLE FILLER

STANDARD FEATURES

- 100 mesh inlet strainer
- Laminar Flow Water Supply
- 1 G.P.M. Fill Rate
- Lead Free
- Hinged Door
- Key Latch
- Meets ADA Forward and Side Reach Requirements
- Ligature-Resistant Design
- Vandal-Resistant Design

SUGGESTED SPECIFICATIONS

Model A000000-BF4 is a Semi-Recessed sensor operated bottle filler. Bottle Filler can be mounted in a 4" or larger wall space for simple installation virtually anywhere. Housing has a slim and trim look that blends into your environment. Unit also has a strong, ligature resistant, and vandal-resistant design for years of trouble-free service. When installed properly, the bottle filler complies with ADA forward and side reach requirements. Bottle filler is fabricated of type 304 stainless steel polished to a satin finish. Bottle filler is fabricated of type 304 stainless steel polished to a satin finish. Unit is certified to ANSI A117.1, Public Law 111-380 (NO-LEAD), CHSC 116875 and NSF/ANSI 61, Section 9.



Model BF48 Shown

"INDOOR USE ONLY"

MODEL:

(Must Specify)

- BF48 18 Gage 304 Stainless Steel

OPTIONS

(additional costs may be incurred)

- BAT Battery Operated (N/A With Bottle Counter)
- BCD Bottle Counter Display
- CG1 Custom Graphics
- EG Enviro-Glaze
Specify Color: _____
- WF1 1500 gallon capacity, NSF 42+53,
1 micron lead reduction water filter

Model Number	GPH*	Rated Watts	Full Load Amps	Approx. Shipping Weight
BF48	8.0	390	4.6	110 lbs.

* GPH of 50°F water at 90°F ambient room temperature and 80°F inlet water temperature
Compressor motor operates on 115 Volt / 60 Hz single phase.

Complies with the following standards:

Test rating conditions are compliant with ARI 1010.



Member of
U.S. Green
Building
Council



Recyclable
Product



Water
Conserving
Product

WARNING: Cancer and Reproductive Harm - www.P65Warnings.ca.gov

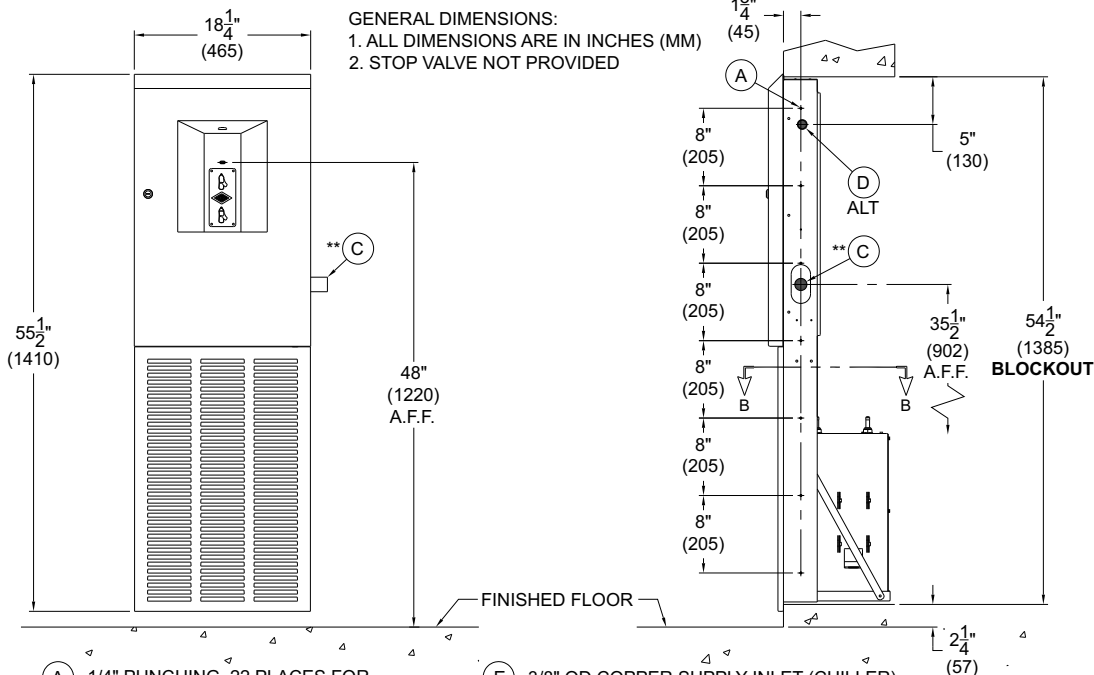
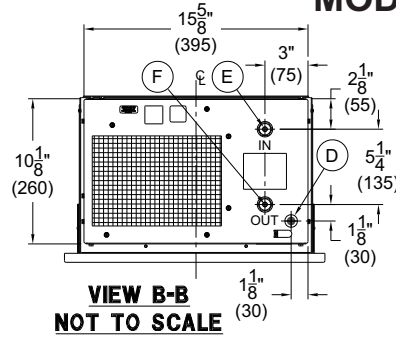
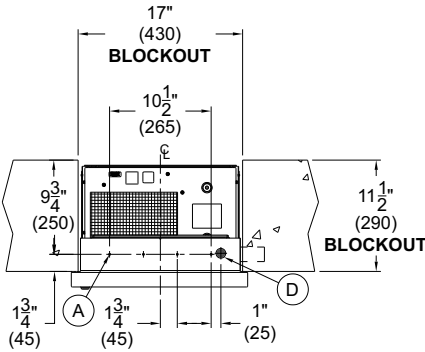
MURDOCK MFG. • 15125 Proctor Avenue • City of Industry, CA 91746 USA
Phone 800-453-7465 or 626-333-2543 • Fax 626-855-4860 • www.murdockmfg.com

Member of
MORRIS GROUP
INTERNATIONAL



BOTTLE FILLER

BF48 Series MODEL A000000-BF48 SEMI-RECESSED SENSOR OPERATED BOTTLE FILLER



GENERAL DIMENSIONS:
1. ALL DIMENSIONS ARE IN INCHES (MM)
2. STOP VALVE NOT PROVIDED

- (A) 1/4" PUNCHING, 22 PLACES FOR ANCHORING HARDWARE BY OTHERS
- (B) 3/8" OD COPPER SUPPLY INLET
- (C) 1-1/4" O.D. WASTE OUTLET
- (D) ELECTRICAL SERVICE ROUGH

- (E) 3/8" OD COPPER SUPPLY INLET (CHILLER)
- (F) 3/8" OD COPPER SUPPLY OUTLET (CHILLER)
- (G) -MF10 MOUNTING FRAME ASSEMBLY

NOTE: RIGHT, LEFT, AND REAR WASTE ORIENTATION ARE OPTIONAL IF NEEDED FOR CALLOUTS INDICATED **.

Murdock Mfg.™ warrants that its products are free from defects in material or workmanship under normal use and service for a period of one year from date of shipment. Murdock's liability under this warranty shall be discharged solely by replacement or repair of defective material, provided Murdock™ is notified in writing within one year from date of shipment, F.O.B. Industry, California.

SELECTION SUMMARY & APPROVAL FOR MANUFACTURING

Model Number & Options _____ Quantity _____

Company _____

Contact _____ Title _____

Signature (Approval for Manufacturing) _____ Date _____

All dimensions are subject to manufactures tolerance of plus or minus 1/2" nominal and subject to change without notice. Murdock assumes no responsibility for use of void or superseded data. Dimensions may change with the addition of optional accessories. Murdock Mfg.™, Member of Morris Group International™. Please visit www.murdockmfg.com for most current specifications.