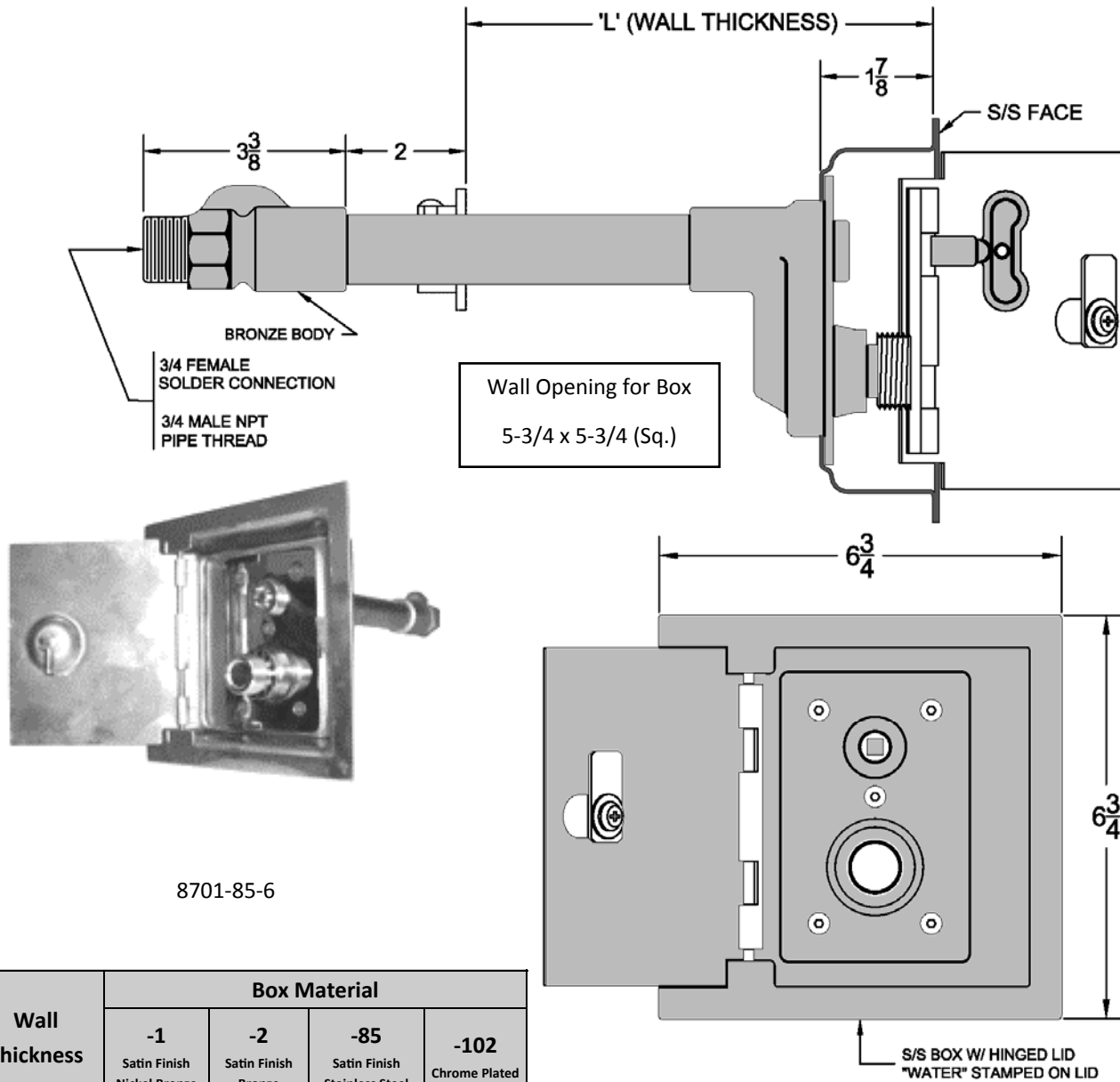


8701 Encased Non-Freeze Wall Hydrant

Project	Engineer	Mechanical
---------	----------	------------



8701-85-6

Wall Thickness	Box Material			
	-1 Satin Finish Nickel Bronze	-2 Satin Finish Bronze	-85 Satin Finish Stainless Steel	-102 Chrome Plated
6"				
8"				
10"				
12"				
14"				
16"				
18"				
20"				
22"				
24"				

Suffix Options		
Suffix	Description	
-CRT12	12" Cartridge Tool	•
-CRT24	24" Cartridge Tool	
-CRT36	36" Cartridge Tool	
-HDR25	Replacement Rod	
-WHRK2	Repair Kit	
-87	Wall Clamp	
-92	Key Operated Cylinder Lock	
-258	3/4" Solder inlet Elbow	

Regularly Furnished: Freezeless wall hydrant with 1/2 turn cartridge, bronze casing, 3/4" hose connection, box with hinged cover, & anti-siphon backflow preventer.

Maximum Working Pressure: 125 PSI