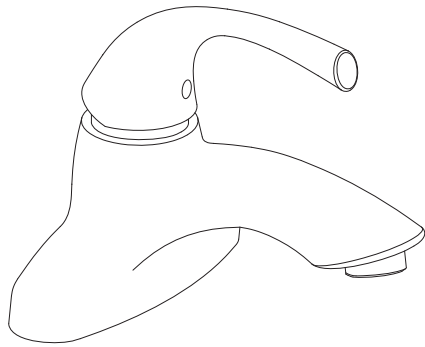


Instructions for Models:

SB-2111
SB-2111-E
SB-2111-LD



Need Help?

For additional assistance or service call:

SPEAKMAN Company
400 Anchor Mill Road
New Castle, DE 19720

PHONE: 800-537-2107
EMAIL: customerservice@speakman.com
WEB: www.speakman.com

92-SB-2111-R3

What You Need To Know:

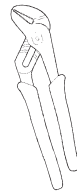
Tools:

Required:

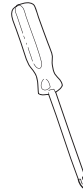
*Adjustable
Wrench



*Groove Joint
Pliers



*Philips
Screwdriver



*Thread Seal Tape

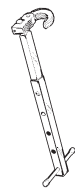


Helpful:

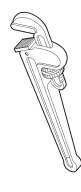
*Supply Lines



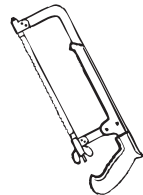
*Basin Wrench



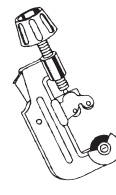
*Pipe Wrench



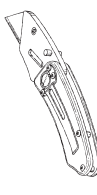
*Hacksaw



*Tubing Cutter



*Utility Knife



*Eye Protection



Important Notes:

Be sure to read instructions thoroughly before beginning installation. Do not overtighten any connections or damage may occur. This faucet has an operating range of 20-80 psi.

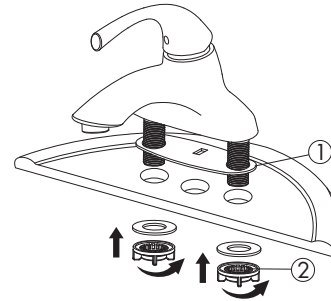
Safety Tips:

Cover your drain to prevent loss of parts.
Be sure to wear eye protection while cutting pipe.

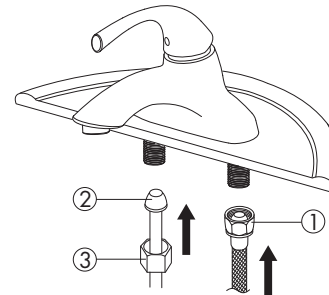
Maintenance:

Your new Lavatory Faucet is designed for years of trouble-free performance. Keep it looking new by cleaning it periodically with a soft cloth. Avoid abrasive cleaners, steel wool, and harsh chemicals as these will dull the finish and void your warranty.

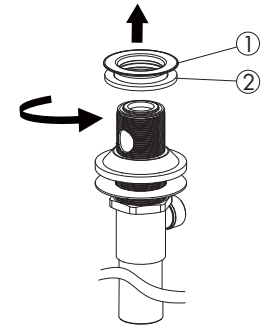
- 1 Shut off water supplies. Remove old faucet. Place gasket (1) on bottom of new faucet. Place faucet through mounting holes in sink. Secure faucet to sink using mounting nuts (2) and washers provided.



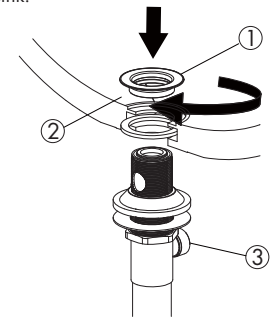
- 2 Make connections to water lines. Use 1/2" IPS faucet connections (1), or use 3/8" O.D. ball nose risers (2) with coupling nuts (3). Use wrenches to tighten connections. Take care to not overtighten.



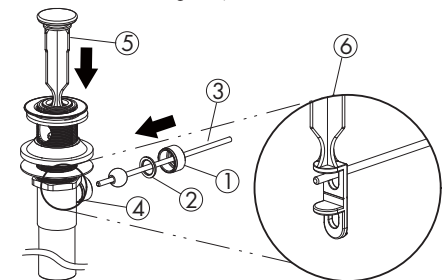
- 3 If installing SB-2111-LD, skip to Step 9. Remove flange (1) and rubber washer (2) from POP-UP drain assembly.



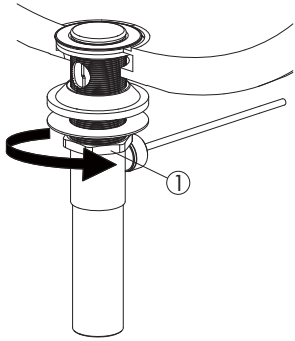
- 4 Place the rubber washer (2) to underside of the flange (1). Insert the threaded end of the drain body up through the drain hole and attach flange to the body with the pivot hole (3) pointing to the rear of the sink.



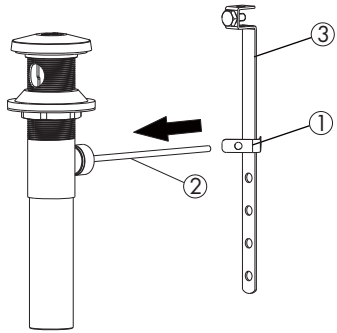
- 5 Unscrew the nut (1) from the pop-up body. NOTE: Retain the seal (2) on the pivot rod (3). Place the nut onto the pivot rod insert the rod and seal (2) into the pivot hole (4). Install stopper (5) as shown (6). Slide nut (1) on and hand tighten. (Please do not overtighten).



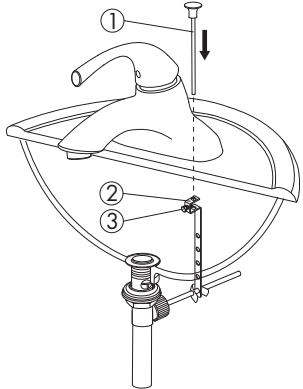
⑥ Tighten lock nut (1) by rotating clockwise until the pop-up drain assembly is secure. Rubber washer should be on top of sink.



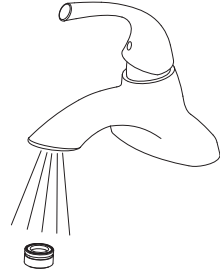
⑦ Place one end of spring clip (1) on the end of pivot rod (2). Insert rod through hole in lift rod strap (3). Secure with spring clip (1).



⑧ Insert lift rod (1) into strap (2) and tighten screw (3).



⑨ **IMPORTANT:** After installation is completed, remove aerator. Turn on water supply and allow both hot and cold water to run for at least one minute each to remove the debris. While water is running, check for leaks. Replace aerator.



- ① RPG04-0434 (-BN)
- ② RPG05-0917
- ③ RPG45-0060
- ④ RPG05-0915 (1.5GPM)
- ⑤ RPG07-0135
- ⑥ RPG05-40126 (1.2GPM)

