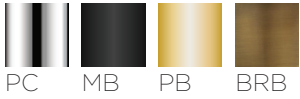


Proper High Rise Kitchen Faucet

FEATURES:

- Lead-free brass construction
- Two hole mount
- 8" on center mounting
- 1.8 gpm (6.8 L/min max) flow rate
- Cross handles
- Ceramic cartridge
- 1/2"-14 NPSM supply connection
- Corrosion resistant finishes

STOCK FINISHES:



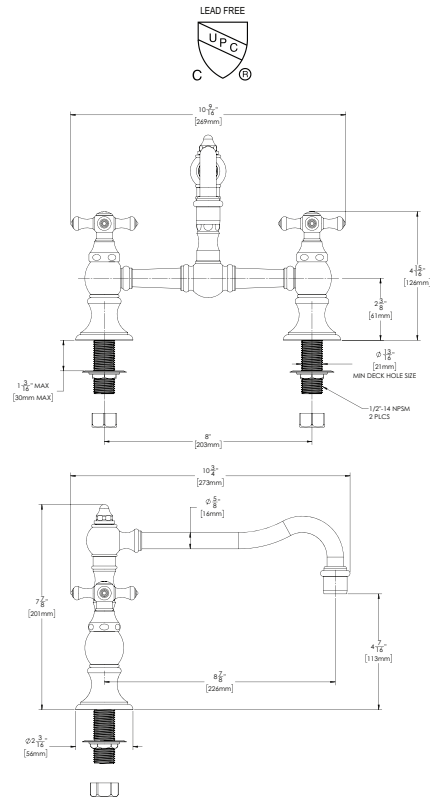
STANDARDS:

- ASME A112.18.1/CSA B125.1 certified
- NSF/ANSI 61 certified
- NSF/ANSI 372 certified
- CEC certified
- DOE certified

WARRANTY:

Visit www.speakman.com for full product warranty information

- 5 Year Limited Warranty (commercial)
- Limited Lifetime Warranty (residential)



1. All dimensions are in inches (millimeters) unless otherwise specified and are subject to change without notice. 2. Contractor to supply necessary inlet connections.

Architect/Engineer Approval Space:

P: 800-537-2107
 F: 800-977-2747
 W: WWW.SPEAKMAN.COM
 R: 01-JULY 2020