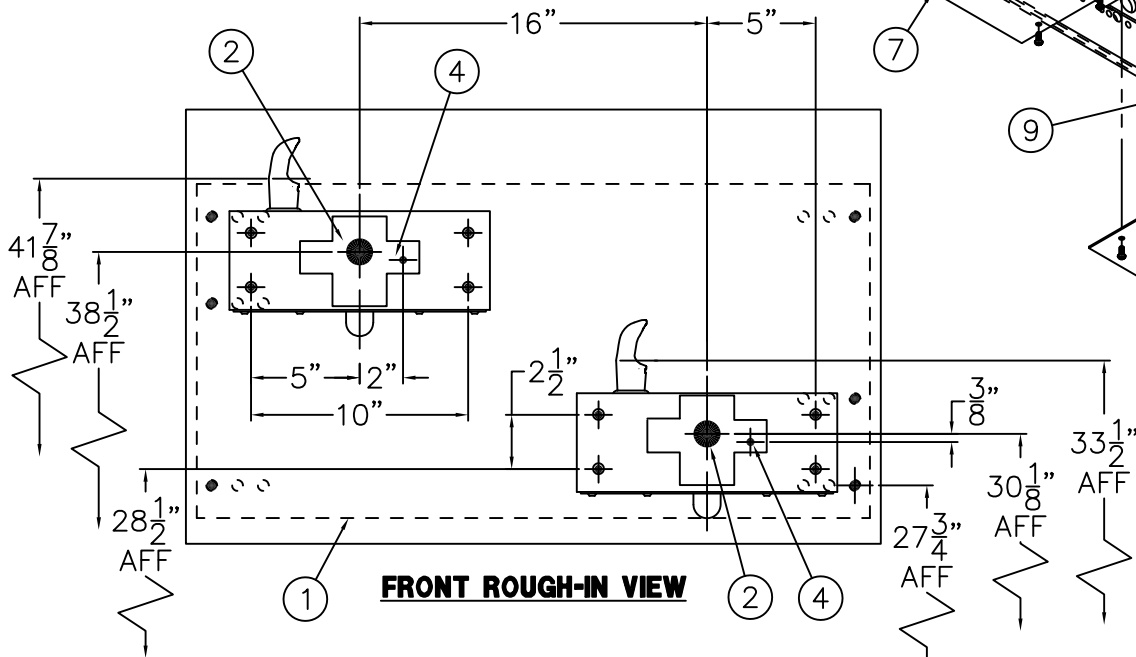
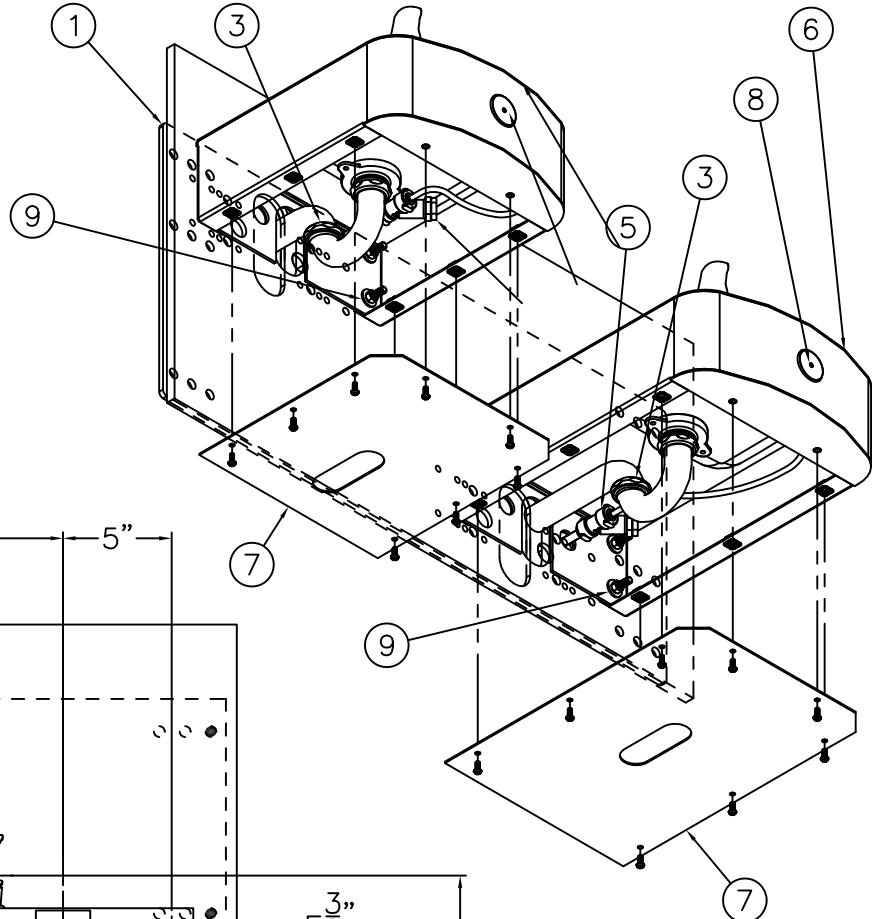
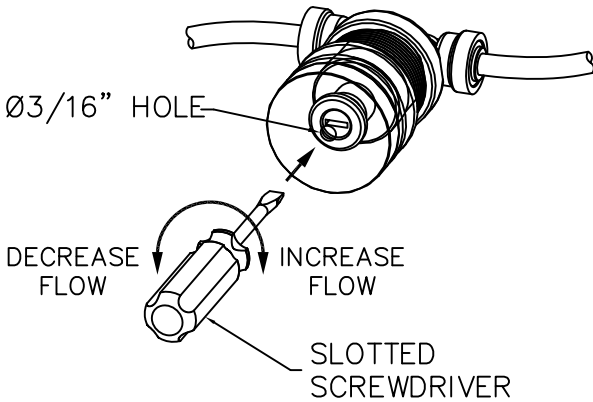




**DETAIL A  
FLOW ADJUSTMENT**



**INSTALLATION INSTRUCTIONS:**

**NOTE:** THE STANDARD BI-LEVEL INSTALLATION IS SHOWN. FOR OPTIONAL -RBL REVERSE BI-LEVEL CONFIGURATION, THE INSTALLATION IS OPPOSITE TO THAT SHOWN.

- A- REFER TO DRAWING # 9938-378-001 TO INSTALL -MP2-W32 SUPPLIED WALL MOUNTING PLATE (1).
- B- ROUGH-IN WASTE OUTLETS (2) AT DIMENSIONS SHOWN FOR 1-1/4" OUTER DIAMETER PLAIN END P-TRAPS (3).
- C- ROUGH-IN WATER SUPPLIES (4) AT DIMENSIONS SHOWN FOR THE 1/4" NOMINAL (3/8" O.D.) x 4" LONG COPPER TUBES CONNECTED TO IN-LINE STRAINERS (5) PROVIDED. STOPS RECOMMENDED ON SUPPLIES TO BE SUPPLIED BY OTHERS.
- D- CAREFULLY REMOVE FIXTURES (6) AND COMPONENTS FROM THE PACKAGING PREVENTING SCRATCHING AND DAMAGE.
- E- REMOVE BOTTOM ACCESS PANELS (7). ASSEMBLE P-TRAPS (3) TO UNIT. ENSURE PUSHBUTTONS (8) AND BUBBLERS ARE SECURE AND CHECK ALL THE TUBING CONNECTIONS TO MAKE SURE THEY DID NOT COME LOOSE IN SHIPMENT.

- F- SLIDE SPACERS, BACK PLATE AND UNITS OVER STUDS FROM MOUNTING PLATE & SECURE WITH NUTS AND WASHERS (9).
- G- MAKE-UP 1-1/4" O.D. WASTE CONNECTION TO P-TRAPS (3).
- H- FLUSH WATER SUPPLIES (4) BY OTHERS OF ALL DEBRIS PRIOR TO CONNECTING TO FIXTURE.
- I- CONNECT WATER SUPPLIES (4) BY OTHERS TO 1/4" NOMINAL COPPER TUBE INLETS. STOPS ON SUPPLIES RECOMMENDED.
- J- TEST OPERATION OF BUBBLERS BY DEPRESSING BUTTONS (8). ADJUST THE FLOW RATE AS REQUIRED. SEE DETAIL A. CHECK ALL CONNECTIONS AND WASTE PIPING FOR LEAKS. CORRECT IF PRESENT.
- K- RE-INSTALL BOTTOM ACCESS PANELS (7).

<p>MURDOCK-SUPER SECUR TITLE P.O. Box 3527 Industry, CA 91744 15125 Proctor Ave Industry, CA 91746 Phone: (800) 591-9880 www.murdock-supersecur.com</p>	<b>14 GAGE OVAL BOX WALL MOUNTED BI-LEVEL DRINKING FOUNTAIN</b>		
	MANUFACTURE DATE	DATE ISSUED	DRAWING NUMBER
	<b>APRIL 2009 TO PRESENT</b>	<b>04/17/09</b>	<b>9938-028-001</b>
	DATE REVISED		
	<b>03/04/16</b>		

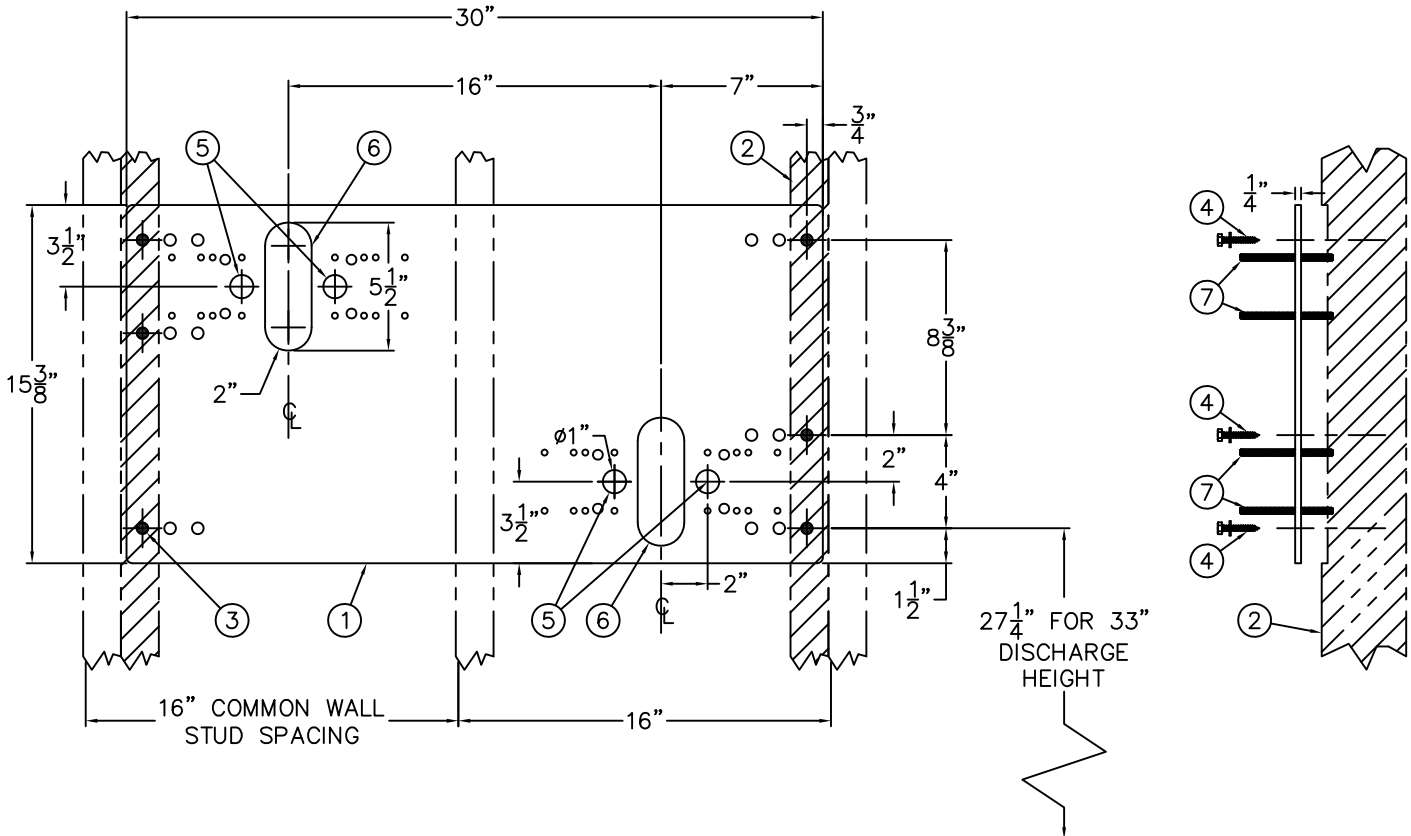


# INSTALLATION INSTRUCTIONS

# DRINKING FOUNTAINS

ROUGH-IN FOR 3/8" OD PUSH-IN SUPPLY INLET, STRAIGHT STOP RECOMMENDED. \*1/4" NCT x 2" LONG TUBE STUB OUT PROVIDED.

ROUGH-IN FOR 1-1/4" OD P-TRAP WASTE OUTLET




## INSTALLATION INSTRUCTIONS:

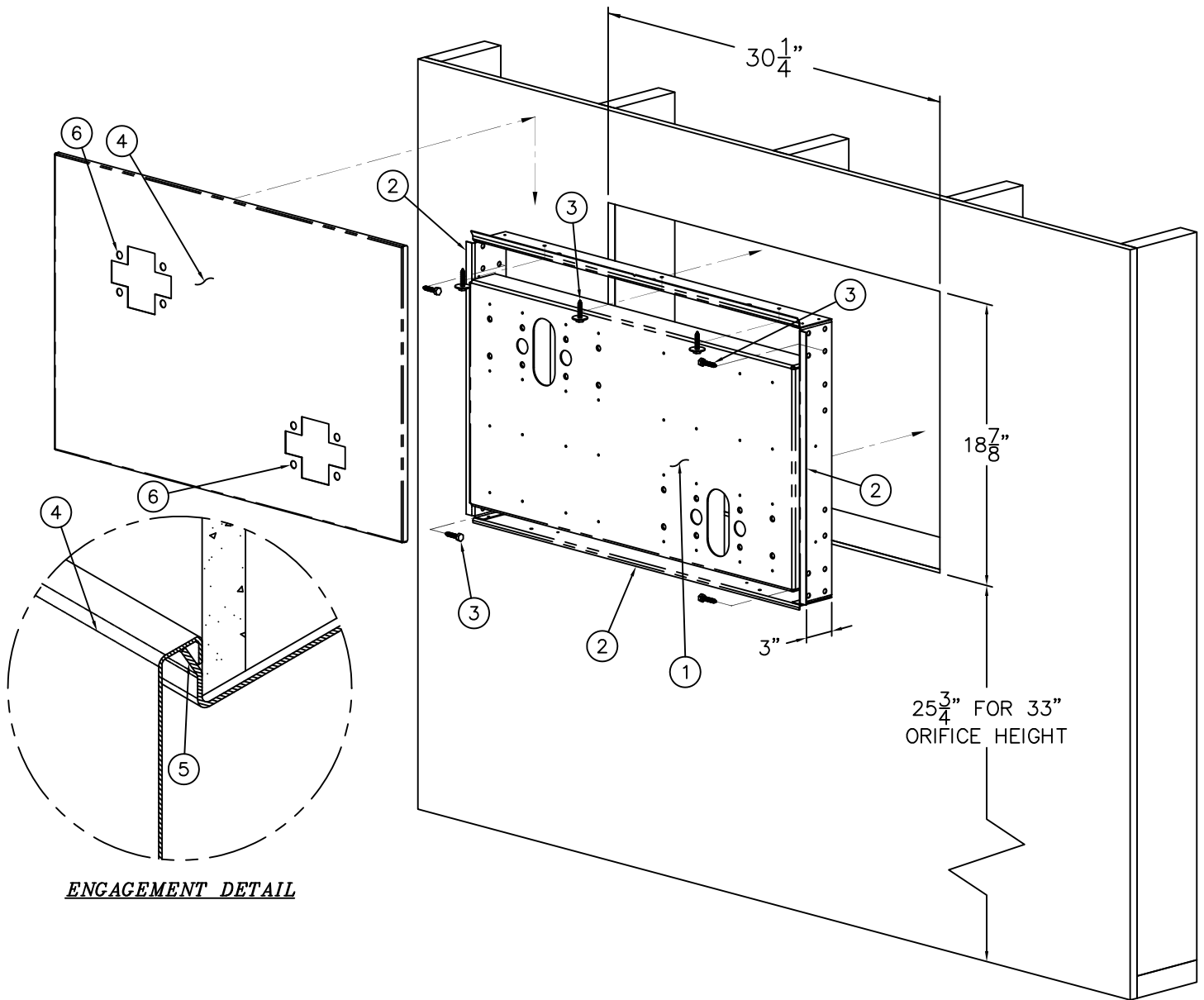
NOTE: BI-LEVEL INSTALLATION SHOWN, OPTIONAL RBL REVERSE BI-LEVEL INSTALLATION OPPOSITE.

- A-PLATE (1) INTENDED TO BE RECESSED FLUSH WITH SUPPORT FRAMING (2) PROVIDED BY INSTALLER. FRAME & BLOCK OUT SUPPORT USING DIMENSIONS SHOWN. FRAME SHOULD SUPPORT 300 LBS MINIMUM.
- B-MOUNTING PLATE (1) IS 1/4" THICK AND INCLUDES 18, 1/2" DIAMETER PUNCHING FOR ANCHORING HARDWARE BY OTHERS.
- C-STRIKE A LEVEL HORIZONTAL CHALK LINE TO LOCATE BOTTOM MOUNTING HOLES (3). REFERENCE DISCHARGE HEIGHT REQUIREMENTS FOR YOUR MODEL AND FACILITY TO DETERMINE CORRECT HEIGHT AT FINISHED FLOOR (AFF).

- D-AFTER POSITIONING PLATE CORRECTLY, FIX PLATE TO WALL USING APPROPRIATE, INSTALLER PROVIDED ANCHORING HARDWARE (4).
- E-MAKE UP APPROPRIATE SUPPLY (5) AND WASTE (6) ROUGHS THROUGH MOUNTING PLATE OPENINGS. A STRAIGHT SUPPLY STOP IS RECOMMENDED.
- F-REFER TO FIXTURE INSTALLATION SHEETS TO LOCATE 5/16" THREADED STUDS MOUNTING HARDWARE AND THREAD STUDS (7) THRU PLATE SO THAT A MINIMUM OF 1-1/4" OF THREAD PROJECTS BEYOND THE FINISHED WALL MATERIAL.
- G-PROTECT THREADED STUDS (7), SUPPLY (5) AND WASTE (6) ROUGHS WHILE FINISHING WALL.

 <b>MURDOCK-SUPER SECUR</b> P.O. Box 3527 Industry, CA 91744 15125 Proctor Ave Industry, CA 91746 Phone: (800) 591-9880 www.murdock-supersecur.com	<b>TITLE</b> <b>-MP2-W32 WALL PLATE -BI-LEVEL, DRINKING FOUNTAIN</b>	
	<b>MANUFACTURE DATE</b> <b>APRIL 2007</b> <b>TO PRESENT</b>	<b>DATE ISSUED</b> <b>04/02/09</b> <b>DATE REVISED</b> <b>03/02/16</b>

**NOTE:**  
STANDARD BI-LEVEL INSTALLATION IS SHOWN. FOR REVERSE BI-LEVEL MF8-RBL MOUNTING FRAME AND TOP TRIM PANEL ARE OPPOSITE.



**INSTALLATION INSTRUCTIONS:**


A- PROVIDE A 30-1/4" WIDE x 18-7/8" TALL OPENING AT APPROPRIATE HEIGHT. PROVIDE ADEQUATE STRUCTURAL SUPPORT AROUND INSIDE OF OPENING FOR FRAME ANCHORING.

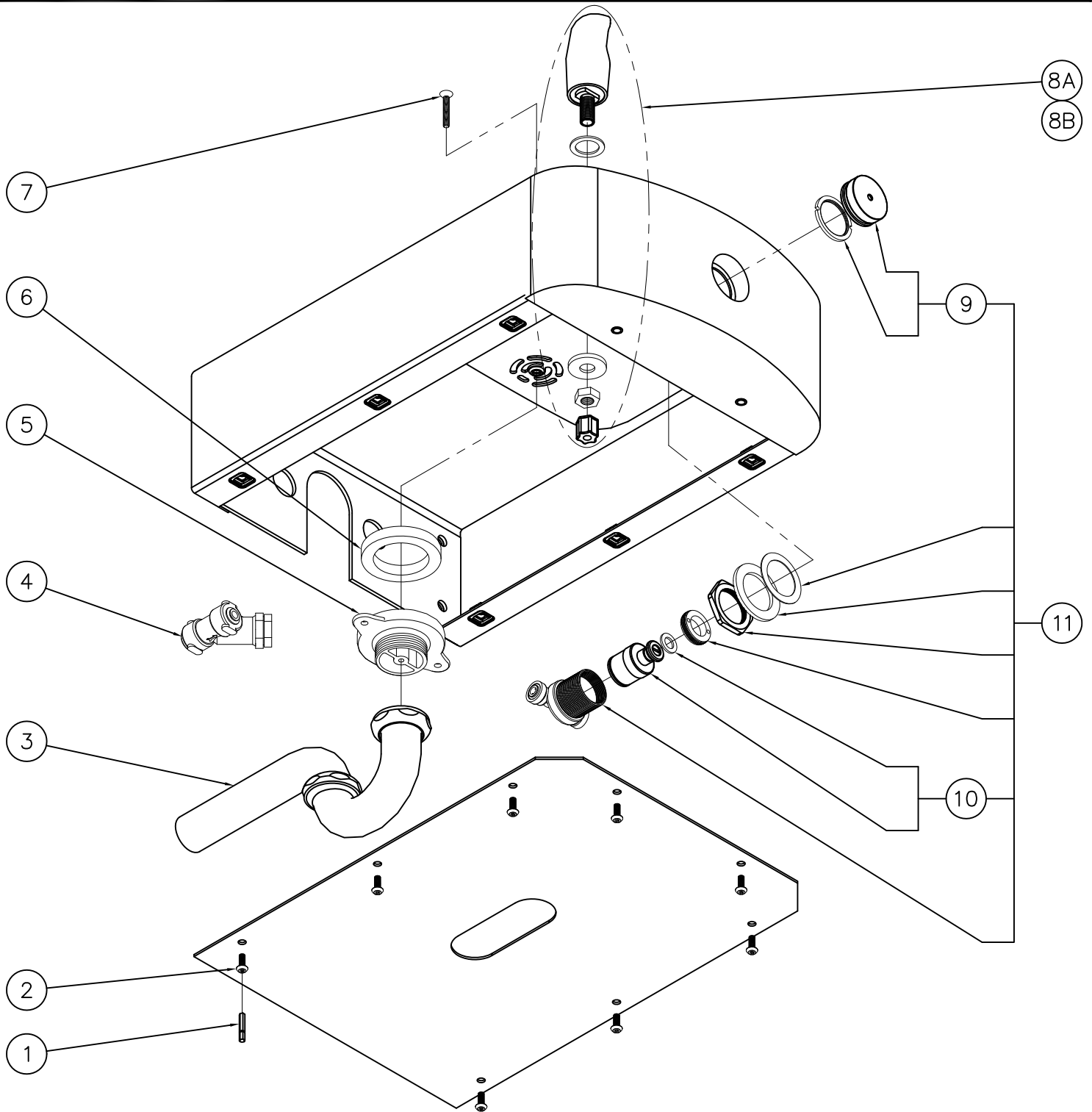
B- CENTER FRAME (1) WITHIN WALL OPENING. SLIDE FRAME (1) INTO OPENING UNTIL TOP, SIDE AND BOTTOM FLANGES (2) ARE AGAINST FINISHED WALL. SECURE TO WALL FROM THE TOP, SIDES AND BOTTOM USING INSTALLER PROVIDED HARDWARE (3).

C- INSTALL TRIM PANEL (4) BY ENGAGING OVER JOGGLE (5) ON TOP OF FRAME (1), SEE ENGAGEMENT DETAIL.

D- ASSEMBLY OF DRINKING FOUNTAINS THROUGH TRIM PANEL (4) INTO MOUNTING FRAME (1) HELPS SECURE TRIM PANEL (4) INTO ONTO WALL.

**NOTE:**  
TRIM PANEL FIXTURE MOUNTING POINTS (6) DIFFER TO MATCH MODEL REFERENCED BUT DOES NOT CHANGE THE METHOD OF INSTALLATION.

 <p>MURDOCK-SUPER SECUR P.O. Box 3527 Industry, CA 91744 15125 Proctor Ave Industry, CA 91746 Phone: (800) 591-9880 www.murdock-supersecur.com</p>	<p>TITLE <b>OPTIONAL -MF8 FOR -W32 BI-LEVEL FOUNTAIN WALL MOUNTING FRAME</b></p>		
	<p>MANUFACTURE DATE <b>APRIL 2011</b> <b>TO PRESENT</b></p>	<p>DATE ISSUED <b>04/13/11</b></p> <p>DATE REVISED <b>10/21/13</b></p>	<p>DRAWING NUMBER <b>9938-382-001</b></p>



1	0296-025-199	CENTER REJECT HEX DRIVER BIT	7	0152-010-000	CENTER REJECT ALLEN FLAT HEAD SCREW
2	0112-002-000	CENTER REJECT ALLEN BUTTON HEAD SCREW	8A	7000-012-001	STAINLESS STEEL BUBBLER
3	7000-015-000	1-1/4" OUTER DIAMETER P-TRAP	8B	7000-099-002	FLEXIBLE BUBBLER ASSEMBLY
4	7000-021-001	"Y" STRAINER	9	7000-068-001	RETAINING RING & BUTTON ASSEMBLY
5	7000-005-199	DRAIN ADAPTER	10	7000-069-001	VALVE CARTRIDGE WITH FOAM WASHER
6	7000-006-000	FLAT DRAIN ADAPTER GASKET	11	7000-065-001	RECESSED PUSHBUTTON VALVE ASSEMBLY
ITEM	PART NUMBER	DESCRIPTION	ITEM	PART NUMBER	DESCRIPTION



MURDOCK-SUPER SECUR  
P.O. Box 3527 Industry, CA 91744  
15125 Proctor Ave Industry, CA 91746  
Phone: (800) 591-9880  
www.murdock-supersecur.com

TITLE **14 GAGE OVAL BOX DRINKING FOUNTAIN**

MANUFACTURE DATE  
**JANUARY 2006**  
**TO PRESENT**

DATE ISSUED  
**10/21/05**  
DATE REVISED  
**03/04/16**

DRAWING NUMBER  
**9938-020-500**

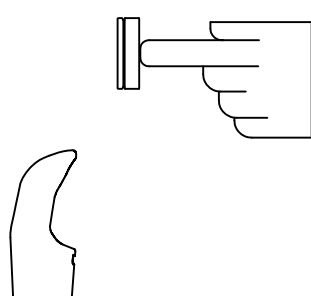

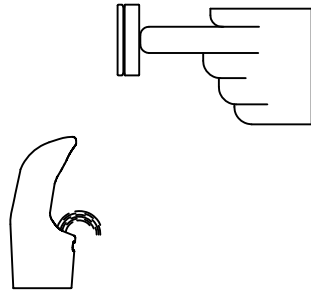



**INSTALLATION INSTRUCTIONS**

**STANDARD PUSH PAD / PUSH BUTTON DRINKING FOUNTAIN**

**CONDITION:**

**SOLUTION:**

<p><b>NO WATER FLOW:</b></p> 	<ol style="list-style-type: none"> <li>1.1 Check water main supply – open.</li> <li>1.2 Inspect stop (by others) – open &amp; no debris.</li> <li>1.3 Inspect in–line strainer for debris – clean.</li> <li>1.4 Replace valve cartridge.</li> </ol>
<p><b>WATER DRIPS / WILL NOT SHUT OFF:</b></p> 	<ol style="list-style-type: none"> <li>2.1 For push pad activated drinking fountains only: Open fixture and move valve bracket assembly further back from push pad.</li> <li>2.2 Replace valve cartridge.</li> </ol>
<p><b>REDUCED WATER FLOW:</b></p> 	<ol style="list-style-type: none"> <li>3.1 Adjust the valve flow rate. See appropriate fixture installation instructions.</li> <li>3.2 Check water main supply for 20 psig minimum flow pressure.</li> <li>3.3 Inspect stop (by others) – open &amp; no debris.</li> <li>3.4 Inspect in–line strainer for debris – clean.</li> <li>3.5 Inspect bubbler for debris – clean.</li> <li>3.6 Inspect all tubing for twists or kinks.</li> <li>3.7 Replace valve cartridge.</li> </ol>

 <p>MURDOCK-SUPER SECUR P.O. Box 3527 Industry, CA 91744 15125 Proctor Ave Industry, CA 91746 Phone: (800) 591-9880 www.murdock-supersec.com</p>	<p>TITLE <b>DRINKING FOUNTAIN VALVE MAINTENANCE INSTRUCTIONS</b></p>		
<p>MANUFACTURE DATE <b>JANUARY 2006</b> <b>TO PRESENT</b></p>	<p>DATE ISSUED <b>09/28/05</b></p> <p>DATE REVISED <b>03/02/16</b></p>	<p>DRAWING NUMBER <b>9940-200-001</b></p>	